



## Partnered manufacturers for direct distribution

35 Marine Terrace - Margate, Kent - CT9 1XJ - UK  
Telephone & WhatsApp. +44 1227 458 684  
uk@antaresint.com • www.antaresint.com

## TECHNICAL ITEMS for PLUMBING and COMPATIBLE SPARE PARTS

Mail-order sales. If undeliverable, return to sender Copyright by Antares®. Price: £10.00. Free for customers. (If no order is received, the right to automatic delivery is forfeited).



# Catalogue and price list 2026



FOR YOUR  
**URGENT ORDERS**

**FAST AND  
RELIABLE**  
shipping across  
EUROPE



We are **ALWAYS READY**  
to receive  
**YOUR ORDERS**



**From 07:30 to 12:00  
and to 13:00 to 16:30**



With an answering service  
available to take **your orders**  
overnight, on Saturdays and on  
public holidays.

Please, feel free to  
**CONTACT US** if you need  
any **ASSISTANCE**

Our technical department is  
available to provide **any information**  
regarding the use of our products



Telephone and Whatsapp  
**+44 1227 458 684**



**uk@antaresint.com**



**www.antaresint.com**



## Catalogue and General Price List No. 35

### SECTION "F" (fire)

This catalogue, exclusively DISTRIBUTED TO COMPANIES REGISTERED IN THEIR COUNTRY'S CHAMBER OF COMMERCE, is just a section of a broader, general catalogue, composed of two sections:



**Section (F) Fire:**  
**SPARE PARTS AND THERMOREGULATION**  
 Gas, diesel and biomass (pellets)

**Section (W) Water:**  
**HYDRONIC SYSTEMS**  
 for plumbing and industrial systems



If you did not receive both parts of the "F" (Fire) and "W" (Water) catalogue, please request them. If you are registered in the Chamber of Commerce, upon verification, we will send it to you free of charge.

### WHY BUY FROM ANTARES



#### BEST PRICES

##### FROM MANUFACTURER TO INSTALLER

Many products are manufactured from ANTARES group, directly oriented towards you, the professionals, without costly sales steps



#### PRICE PROTECTION

For the safety of your profession, ANTARES sells exclusively to companies registered in the Chamber of Commerce.



#### PRE-SALE ASSISTANCE

Our technical office is always available for any additional info, and to help you choose



#### AFTER-SALE ASSISTANCE

After-sale assistance, everyday by your side



#### FAST AND SAFE PURCHASES

Immediate check of the availability of products. Real-time order, with products' put aside for you. Direct check of all the steps: from preparation to delivery.



#### DELIVERY

No more useless expenses and waste of time to receive your products, with ANTARES delivery is fast, at fixed price and at destination.



**SATISFIED OR REFUNDED**

#### FAST AND EASY RETURN

Are you not satisfied? If, for any reason, an article does not satisfy you, you can ask for replacement or refund within 30 days.



#### SAFE WEBSITE & E-COMMERCE

Protected by an encrypted security system



#### DELIVERIES IN ALL EUROPE

Our European sales structure, with mother-tongue employees, is always available to assist you in your sales and technical questions.

#### ANTARES® for water & fire s.r.l.

Via degli Alpini, 144 - 55100 Lucca - Italia  
 Tel. +39 0583 473701 - WhatsApp. +39 349 665 6433  
 www.antaesint.com - ant3@antaesint.com



(+44) 1227 458 684



uk@antaesint.com

#### ANTARES® in the world

##### Belgique

207, Av. Louise bte 4 - 1050 Bruxelles  
 Tél. (+32) 239 30 597  
 WhatsApp. (+33) 423 24 3080  
 www.antaesint.com - be@antaesint.com

##### Deutschland

Feringastrasse 6 - 85774 Unterföhring  
 Tel. (+49) 899 394 8950  
 WhatsApp. (+49) 01 762 097 7231  
 www.antaesint.com - de@antaesint.com

##### España

C/ Martinez Villergas, 49 - 28027 - Madrid  
 Teléfono y WhatsApp. (+34) 910 626 573  
 www.antaesint.com - es@antaesint.com

##### France

3 Cours Charlemagne - BP 2597 - 69217 Lyon Cedex 2  
 Téléphone et WhatsApp. (+33) 42 324 3080  
 www.antaesint.com - fr@antaesint.com

##### Ireland

Mespil House, Sussex Road, Dublin 4  
 Tel. (+353) 169 944 25  
 Whatsapp. (+44) 122 745 8684  
 www.antaesint.com - eire@antaesint.com

##### Nederland

Gelderlandplein 75 L, Gebouw De Veldert,  
 1082 LV Amsterdam  
 Tel. (+49) 899 394 8950  
 www.antaesint.com - nl@antaesint.com

##### Österreich

Landstrasser Hauptstrasse, 71/2 - 1030 Wien  
 Tel. (+49) 899 394 8950  
 Whatsapp. (+49) 01 762 097 7231  
 www.antaesint.com - at@antaesint.com

##### Polska

Ul. Tomasza Zana 39A 20-634 Lublin  
 Tel. 00 800 391 1223 **Infolinia bezpłatna**  
 www.antaesint.com - pl@antaesint.com

##### Portugal

Rua Castilho, No. 23-8° B - 1250 - 067 Lisboa  
 Tel. 800 839 042 **Número Vert**  
 www.antaesint.com - pt@antaesint.com

##### România

Str. Ploputui, 76 - Com. Baldoivnesti - 237005 JUD. OLT  
 Tel. (+40) 0786 325 646  
 Whatsapp. (+40) 076 058 5909  
 www.antaesint.com - ro@antaesint.com

##### U.K.

35 Marine Terrace - Margate, Kent, CT9 1XJ  
 Telephone and WhatsApp. (+44) 122 745 8684  
 www.antaesint.com - uk@antaesint.com

## HOW TO ORDER

### TELEPHONE



Telephone  
**+44 1227 458 684**



WhatsApp  
**+44 1227 458 684**

### WEBSITE



**www.antaresint.com**

For orders, product inquiries, or any further information, please visit our e-commerce website.



### E-MAIL



**uk@antaresint.com**

## ORDER DIRECTLY AND INSTANTLY

If you place your order **ONLINE** or by **PHONE**,  
you can receive **immediate confirmation** of product availability and reserve the items immediately

### DELIVERY INFORMATION

For every order, regardless of the quantity of goods, **ANTARES** applies a fixed flat-rate charge:

- **FREE** for purchases over **£ 680.00 excl. VAT**
- **£ 12.65** for purchases below **£ 680.00 excl. VAT**

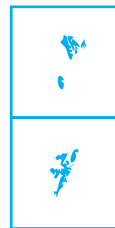
No additional charges apply, regardless of the order amount. Goods are delivered directly to your address, carriage paid, by courier or postal service:

- ▶ **For any destination**
- ▶ **For any weight**
- ▶ **For any volume**



If you are not available at the time of delivery, a notice will be left so that arrangements can be made either for collection from the depot or for a new delivery attempt.

**FREE**  
shipping  
on orders  
over **£ 680.**



- ★ After placing your order, you will receive a **confirmation** by **e-mail** or **SMS**.
- ★ From that moment on, **via our website** [www.antaresint.com](http://www.antaresint.com), you will be able to **track your order directly**, from preparation to delivery.

Check your order, entered directly by you or by one of our operators.  
Check the status of your order:

- **Being prepared**
- **Prepared and invoiced**, in which case you can:
  - Check the weight, number of packages, and value of the prepared goods.
  - Check and print the invoice for the prepared order.
- **Handed over to the courier**, in which case you can:
  - Check the courier's name
  - Check the departure time of the shipment.
  - Check the shipment reference number (*tracking number*).
- **In transit**, in which case you can:
  - Track the current location of the goods during transport.
  - Check the estimated delivery time to the specified address.



- **Instant stock availability check**
- **Place orders in real time and reserve items instantly.**
- **Track every step from order to delivery**

### PAYMENT OPTIONS

A plastic envelope containing the invoice is attached to the outside of one of the packages in your shipment, allowing easy verification of the dispatched items.

**PAYMENT CAN BE MADE USING THE FOLLOWING METHODS:**

#### ▶ **By credit card, such as:**

You will not be charged for products that are temporarily unavailable.



#### ▶ **Advance payment by:**

➤ Transfer of the order amount, including the fixed delivery charge and the VAT amount, to the following account: **IBAN: GB61 LOYD 3091 6000 3389 01 - BIC: LOYDGB21060 - LLOYDS BANK p.l.c. - LONDON.**

➤ **PayPal** by providing the payment reference details.

The general terms and conditions of sale can be viewed and downloaded from our website: [www.antaresint.com](http://www.antaresint.com)

# CATALOGUE AND PRICE LIST

This catalogue, exclusively DISTRIBUTED TO COMPANIES REGISTERED IN THEIR COUNTRY'S CHAMBER OF COMMERCE, is just a section of a broader, general catalogue, composed of two sections:



**Section (W) Water:**  
**PLUMBING**  
Spare parts for plumbing and industrial systems.

**Section (F) Fire:**  
**SPARE PARTS AND THERMOREGULATION**  
Gas, diesel and biomass (pellet).



If you did not receive both parts of the "F" (Fire) and "W" (Water) catalogue, please request them. If you are registered in the Chamber of Commerce, upon verification, we will send it to you free of charge.

**N.B.:** Next to the Page number, you will see the letter for the corresponding section.

## TABLE OF CONTENTS

**A**

Actuators and spare parts for diverter valves.....	161	(F)
Adapters and etc. ntrics fittings for radiator replacement.....	48	(W)
Adhesive and insulation tapes.....	186	(F)
Air and gas pressure switches for boilers.....	153	(F)
Air compressors for expansion vessels and accessories.....	194	(W)
Air treatment filters.....	190	(W)
Air vent separator for circulating pumps.....	25	(F)
Air vents / deaerators.....	78	(W)
AISI 304L stainless steel distribution manifolds.....	12	(W)
AISI 304L stainless steel distribution manifolds/pre-assembled pairs.....	14	(W)
Anti-condensation valves for biomass boilers.....	89	(W)
Anti-condensation – pre-assembled units for biomass systems.....	91	(W)
Antifreeze liquids and pipe protection fluids.....	187	(W)
Antifreeze thermostatic valves.....	146	(W)
Anti-vibration joints and expansion compensators for water.....	104	(W)
Anti-vibration joints and flexible hoses for gas.....	50 (F) 105	(W)
Anti-vibration supports for heat pumps/generators/air conditioners.....	181	(W)
Automatic boiler filling charger.....	173	(F)
Automatic pellet/wood chip transport systems for boilers.....	93	(W)
Automatic telephone switch for boilers/systems.....	39	(F)
Auxiliary pumps for diesel or fuel oil burner supply.....	58	(F)
Axial fans.....	72	(F)

**B**

Ball valve actuator for water and gas.....	54	(F)
Ball valves for gas.....	47 (F) 76	(W)
Ball valves – "MIGNON" (mini).....	75	(W)
Ball valves – motorised.....	45	(F)
Ball valves for water, air and various fluids.....	71	(W)
Bimetal disc thermostats.....	35 (F) 174	(F)
Biomass – anti-condensation valves.....	89	(W)
Biomass – automatic pellet or wood chip transport systems.....	93	(W)
Biomass – centrifugal fans.....	73	(F)
Biomass – combustion draft regulators.....	89	(W)
Biomass – electronic control boards.....	78	(F)
Biomass – electronic control units for thermo-fireplaces.....	38 (F) 90	(W)
Biomass – flue pipes / flue systems.....	79	(F)
Biomass – gear motors for stoves and boilers.....	66	(F)
Biomass – high-temperature cables and sheaths.....	63	(F)
Biomass – high-temperature tangential fan spare parts.....	71	(F)
Biomass – high-temperature tangential fans.....	69	(F)
Biomass – Igniters – accessories and spare parts.....	63	(F)
Biomass – Igniters – brand-specific models.....	63	(F)
Biomass – Igniters 230V.....	59	(F)
Biomass – Igniters 24VAC.....	63	(F)
Biomass – open expansion vessel.....	89	(W)
Biomass – pellet and wood chip level sensors.....	95	(W)
Biomass – pre-assembled anti-condensation groups.....	91	(W)
Biomass – immersion pockets for temperature sensors.....	65	(F)
Biomass – safety and drain valves.....	88	(W)
Biomass – flue fans for stoves and boilers.....	76	(F)
Biomass – suction pipes.....	80	(F)
Biomass – temperature probes and sensors.....	64 - 108	(F)
Biomass – thermocouples.....	65 - 108	(F)
Biomass – wood and pellet moisture testers.....	92	(W)
Boiler and stove cleaning – products.....	87	(F)
Boiler and stove cleaning – vacuum units.....	86	(F)
Boiler component filters.....	173	(F)
Boiler drain valves.....	173	(F)
Boiler filling solenoid valves.....	173	(F)
Boiler filling valves.....	171	(F)

**B**

Boiler - gas ignition and control devices.....	90	(F)
Boiler room manifolds for distribution gr. DN20, DN25, DN32.....	113	(W)
Boiler safety valves – spare heads.....	192	(F)
Boiler, stove and flue cleaning tools and materials.....	85	(F)
Booster pumps for domestic hot water pressure.....	18	(F)
BRAHMA – gas burner control units.....	90	(F)
BRAHMA –diesel burner control units.....	88	(F)
Brand-specific flue fans gas extractors for gas boilers.....	148	(F)
Brass compression fittings for capillary copper tubing.....	64	(W)
Brass compression fittings with ogive for copper pipe.....	62	(W)
Burner motor replacement flanges.....	176	(F)
Burner control units.....	88	(F)
Burner nozzles.....	188	(F)
Burner pumps.....	178	(F)
Burner pumps – accessories.....	179	(F)

**C**

Cable connecting terminals.....	187	(F)
Cable ties and accessories.....	182	(W)
Capillary copper tubing – brass fittings with ogive.....	64	(W)
Capillary pressure gauges.....	175	(F)
Capillary thermometers.....	175	(F)
Capillary thermostats.....	174	(F)
Capillary pipes, fittings and drippers for irrigation.....	151	(W)
Centrifugal fans for biomass equipment.....	73	(F)
Check and foot valves.....	96	(W)
Check valves for boilers and water heaters.....	96	(W)
Circulator motors – 3-speed (non high-efficiency).....	12	(F)
Circulators – twin manifolds.....	18	(F)
Circulators – connection cables and adapters.....	24	(F)
Circulators – insulation shells.....	26	(F)
Circulators – pump bodies / volutes / housings.....	25	(F)
Circulators – valves and accessories.....	99	(W)
Circulators – valves and fittings.....	26	(F)
Circulators for domestic hot water.....	17	(F)
Circulators for solar thermal systems.....	16	(F)
Circulators with custom plastic pump bodies for boilers.....	19	(F)
Cleaning agents and sanitizing products.....	186	(W)
Cleaning boilers - vacuums and ash extractions.....	86	(F)
Cleaning boilers/stoves/chimney - tools and materials.....	85	(F)
Combustion draught regulators.....	89	(W)
Compression fittings for polyethylene and multilayer pipes.....	34	(W)
Compression plastic fittings for plastic pipe.....	69	(W)
Compression quick brass fittings for copper pipe.....	64	(W)
Condensate acid neutralisers.....	141	(W)
Condensate drain pumps.....	139	(W)
Condensate drain pumps – accessories.....	139	(W)
Condensers for electric motors.....	187	(F)
Condensing boilers – flue systems.....	81	(F)
Connection cables for circulators and adapters.....	24	(F)
Control and ignition units for gas burners and boilers.....	90	(F)
Control boards for biomass equipment.....	78	(F)
Controllers and thermostats for solar thermal systems.....	39 (F) 87	(W)
Copper pipe – brass compression fittings with ogive.....	62	(W)
Copper pipe – quick compression brass fittings.....	64	(W)
Copper pipe – soldered fittings in bronze.....	67	(W)
Copper pipe – soldered copper fittings.....	65	(W)
Couplings for diesel pumps.....	177	(F)
Counter flanges.....	61	(W)
CSST corrugated pipe – tools.....	193	(W)
CSST corrugated pipes.....	106	(W)
CSST corrugated pipes – fittings.....	107	(W)

<b>C</b>	CSST corrugated pipes – installation accessories.....	109 (W)
	CSST corrugated stainless steel tubes.....	106 (W)
	Cylinder gas fittings and accessories.....	55 (F)
	Custom flow switches and flow meters for various boiler brands..	164 (F)
	Custom safety valves for specific boiler brands.....	189 (F)

<b>D</b>	DANFOSS – diesel burner pump with solenoid valve.....	179 (F)
	Deep well submersible pumps.....	136 (W)
	Descaling liquids and pumps.....	194 (F)
	Descaling pumps.....	194 (F)
	Diaphragm surge tanks (pressure vessels).....	129 (W)
	Dielectric insulating fittings.....	48 (F) 57 (W)
	Digital probe-type thermostats.....	35 (F)
	Discharge and safety valves for biomass systems.....	88 (W)
	Distribution manifolds – accessories.....	16 (W)
	Distribution manifolds – boxes.....	17 (W)
	Distribution manifolds – components and accessories.....	118 (W)
	Distribution manifolds – copper, polyethylene and multilayer fittings...	21 (W)
	Distribution manifolds – support brackets.....	18 (W)
	Diverter valve for boilers – cartridges for boilers.....	161 (F)
	Diverter valves for boilers – actuators and spare parts.....	161 (F)
	Diverter valves for specific boiler brands.....	160 (F)
	Domestic high-efficiency circulators with PWM.....	8 (F)
	Domestic high-efficiency circulators without PWM.....	13 (F)
	Domestic hot water cartridges.....	168 (F)
	Domestic hot water copper heat exchangers for boilers.....	140 (F)
	Domestic hot water recirculating pumps.....	17 (F)
Domestic hot water distribution manifolds.....	15 (W)	
Drawn brass distribution manifolds.....	8 (W)	
Drawn brass distribution manifolds – pre-assembled pairs.....	12 (W)	
Drip irrigation pipes with integrated dripline and fittings.....	152 (W)	

<b>E</b>	Eccentric fittings and adapters for radiator replacement.....	48 (W)
	Electric diverter valves for boilers.....	157 (F)
	Electric heating elements for water heaters.....	145 (W)
	Electric thermostatic actuators for radiator valves.....	50 (W)
	Electrical connections for MODULEX FLEX circulators.....	24 (F)
	Electrical connectors – FASTON terminals.....	64 (F)
	Electrical fuses.....	187 (F)
	Electrical connecting terminals.....	187 (F)
	Electronic boxes for gas burners and boilers.....	90 (F)
	Electronic control units for thermo-fireplaces.....	38 (F) 90 (W)
	Electronic temperature control units.....	37 (F)
	Embedded capillary thermostats.....	35 (F)
	Escutcheons (roses).....	158 (W)
	Expansion joints and anti-vibration joints for water systems.....	104 (W)
	Expansion vessels for booster sets.....	129 (W)
	Expansion vessels for heating systems.....	81 (W)
	Expansion vessels for heating systems – accessories.....	82 (W)
	Expansion vessels for wall boilers.....	193 (F) 81 (W)

<b>F</b>	Fan coil units – replacement motors.....	190 (W)
	Fan coil units – thermostats.....	30 (F)
	Fan coil units.....	188 (W)
	Faston electrical terminals.....	64 (F)
	Fittings for distribution manifolds.....	21 (W)
	Fittings for valves and lockshield valves.....	49 (W)
	Fittings for zone valves.....	46 (F) 149 (W)
	Flared tube nuts.....	58 (W)
	Flexible corrugated hose sheath.....	187 (W)
	Flexible hoses and anti-vibration joints for gas.....	50 (F) 105 (W)
	Flexible hose kits for boiler installation/replacement.....	50 (F) 104 (W)
	Flexible hoses for heating and solar systems.....	103 (W)
	Flexible hoses for burners.....	180 (F)
	Flexible hoses for water.....	101 (W)
	Flexible discharge pipes.....	162 (W)
	Float switch.....	130 (W)
	Float valves.....	164 (W)
	Flow and pressure switches for heating systems.....	41 (F)
	Flow and return valves for boilers and water heaters.....	83 (W)
	Flow sensors.....	169 (F)

<b>F</b>	Flow switches and flow meters – cartridges and turbines.....	168 (F)
	Flow switches and flow meters for boilers.....	163 (F)
	Flue ducts – accessories.....	87 (F)
	Flue fans for gas boilers – accessories.....	150 (F)
	Flue pipes and accessories for gas and biomass boilers.....	80 (F)
	Flue systems and components.....	79 (F)
	Flue systems for biomass appliances.....	79 (F)
	Flue liner systems for condensing boilers.....	81 (F)
	Flue, fireplace, gas and biomass boiler maintenance.....	82 (F)
	Flush mounting boxes and thermostat adapter plates.....	29 (F)
	Foot valves and check valves.....	96 (W)
	4-way mixing valves.....	97 (W)
	Frost protection thermostatic valves.....	146 (W)

<b>G</b>	Gas – ball valves.....	47 (F) 76 (W)
	Gas – components and accessories.....	47 (F)
	Gas – filters.....	51 (F)
	Gas – flexible hoses and anti-vibration joints.....	50 (F) 105 (W)
	Gas – HONEYWELL valves.....	109 (F)
	Gas – isolation valves.....	53 (F)
	Gas – pilot burners and accessories.....	185 (F)
	Gas – portable gas leak detectors.....	49 (F)
	Gas – pressure gauges.....	49 (F)
	Gas – pressure regulators.....	51 (F)
	Gas – SIT valves.....	113 (F)
	Gas – SIT valves spares and accessories.....	116 (F)
	Gas – solenoid valves.....	116 (F)
	Gas – thermocouples.....	117 (F)
	Gas pressure stabilisation regulators.....	51 (F)
	Gas pressure switches and pressure gauges.....	49 (F)
	Gas solenoid valves.....	116 (F)
	Gas thermocouples.....	117 (F)
	Gas, co (carbon monoxide) and co <sup>2</sup> leak detectors.....	52 (F)
	Gaskets for fittings and spares.....	171 (W)
	Gas valves for Honeywell.....	109 (F)
Gate valves and isolation valves.....	77 (W)	
Gear motors for pellet stoves and biomass boilers.....	66 (F)	
General-purpose electrodes.....	183 (F)	
Gland packings for boiler water groups.....	162 (F)	
Gland packings for pressure valves.....	162 (F)	
Grundfos – compatible replacement motor.....	11 (F)	

<b>H</b>	Heat exchangers for water heaters.....	141 (F)
	High-temperature cable and sheaths.....	83 (F)
	High-efficiency circulating pumps for solar systems.....	16 (F)
	High-efficiency circulator motors (universal) with pwm.....	10 (F)
	High-efficiency circulator motors (universal) without pwm.....	12 (F)
	High-efficiency domestic circulating pumps with pwm.....	8 (F)
	High-efficiency domestic circulating pumps without pwm.....	13 (F)
	High-flow flanged circulating pumps (high-efficiency).....	15 (F)
	High-temperature cables and sheaths.....	83 (F)
	High-temperature tangential fans.....	69 (F)
	Honeywell – gas valves.....	109 (F)
	Honeywell – ignition and control boards.....	93 (F)
	Honeywell – gas ignition and control boards.....	93 (F)
	Honeywell – control units for diesel burners.....	89 (F)
	Humidistats.....	31 (F)
	Hydraulic flanges.....	61 (W)
	Hydraulic separator – heat exchange module.....	90 (W)
	Hydraulic separators / low loss headers.....	22 (W)

<b>I</b>	Ignition and detection electrodes for burners.....	183 (F)
	Ignition and flame detection electrodes.....	184 (F)
	Igniters for biomass stoves and boilers – 230V.....	59 (F)
	Igniters for biomass stoves and boilers – 24 VAC.....	63 (F)
	Igniters for specific biomass stove and boiler brands.....	63 (F)
	Ignition transformers.....	180 (F)
	Immersion thermostats (analogue and digital).....	33 (F)
	Instantaneous domestic hot water production units.....	126 (W)
Insulation and refractory slabs.....	84 (F)	
Insulation panels accessories for underfloor heating systems.....	42 (W)	

<b>I</b>	Insulation panels for underfloor heating systems	40 (W)
	Insulation shells for circulating pumps	26 (F)
	Insulation shells for plate heat exchangers	139 (F) 124 (W)
	Isolation valves and gate valves	77 (W)
	Isolation valves for gas	53 (F)
	Inverters for electric pumps (constant pressure control)	131 (W)
	Irrigation – capillary pipes, fittings and drippers	151 (W)
	Irrigation – modular plastic manifolds	151 (W)
	Irrigation – perforated pipes with dripline and fittings	152 (W)
	Irrigation systems	150 (W)

<b>L</b>	Large motorised valves	46 (F)
	Large-capacity flanged high-efficiency circulators	15 (F)
	Level controls	130 (W)
	Limescale prevention devices	141 (W)
	Low water safety pressure switches for boilers	154 (F)
	Low-capacity diesel burners	88 (F) 127 (W)
	Low loss headers/hydraulic separators	22 (W)
	LPG – fittings and accessories for gas cylinders	55 (F)
	LPG – cylinder pressure regulators/reducers	55 (F)
	Lubricants and sliding greases	186 (W)

<b>M</b>	Macerator pumps for wastewater (basement WC applications)	138 (W)
	Magnesium sacrificial anodes	159 (F) 144 (W)
	Magnetic dirt separators (sludge separators)	140 (F) 143 (W)
	Manifold boxes	17 (W)
	Medium flow high-efficiency circulators with PWM	14 (F)
	Medium/high-flow circulating pumps (high-efficiency, PWM)	14 (F)
	Medium-flow circulating pumps (high-efficiency, PWM)	14 (F)
	Medium-high flow high-efficiency circulators with PWM	14 (F)
	Medium-large capacity manifolds	19 (W)
	Microswitches	158 (F)
	Mini ("MIGNON") ball valves	75 (W)
	Mixing units for underfloor heating systems – accessories	27 (F)
	Mixing valves and servomotors	36 (F)
	Modular plastic manifold for irrigation systems	151 (W)
	Modular stainless steel manifolds for distribution groups	112 (W)
	Moisture meters for wood and pellets	92 (W)
	Motorised ball valves	45 (F)
	Multi-channel RF receiver for wireless thermostats	32 (F)
	Multilayer pipes PE-RT/AL/PE-RT	32 (W)
	Multilayer pipes PE-RT/AL/PE-RT – compression fittings	34 (W)
	Multilayer pipes PE-RT/AL/PE-RT – nickel-plated fittings	36 (W)
	Multilayer pipes PE-RT/AL/PE-RT – press fittings	34 (W)
	Multilayer pipes PE-RT/AL/PE-RT – tools	193 (W)

<b>N</b>	Nickel-plated fittings for polyet. and multilayer pipes	36 (W)
	Non-return and foot valves	96 (W)
	Non-return valves for boilers and water heaters	96 (W)

<b>O</b>	Oil – auxiliary supply pumps for burners	58 (F)
	Oil – burner control equipment	88 (F)
	Oil – burner motor replacement flanges	176 (F)
	Oil – burner nozzles	188 (F)
	Oil – burner pump accessories	179 (F)
	Oil – burner pumps (DELTA / SUNTEC / DANFOSS)	178 (F)
	Oil – flexible hoses for burners	180 (F)
	Oil – ignition and flame detection electrodes	184 (F)
	Oil – low-capacity burners	88 (F) 127 (W)
	Oil – pipework and tank accessories	56 (F)
	Oil – pump couplings	177 (F)
	Oil – replacement motors for burners	176 (F)
	Oil – solenoid valves for burners	177 (F)
	Open expansion vessel	89 (W)
	O-rings	172 (W)
	Outdoor taps	157 (W)

<b>P</b>	Pellet – gear motors	66 (F)
	Pellet and wood chip level sensors	95 (W)
	PE-RT/AL/PE-RT – multilayer pipes	32 (W)
	PE-RT/AL/PE-RT – multilayer pipes compression fittings	34 (W)
	PE-RT/AL/PE-RT – multilayer pipes nickel-plated fittings	36 (W)
	PE-RT/AL/PE-RT – multilayer pipes press fittings	34 (W)
	PE-RT/AL/PE-RT – multilayer pipes tools	193 (W)
	Piezoelectric spark igniters	185 (F)
	Pipe collars	175 (W)
	Pilot burners and accessories for gas	185 (F)
	Plastic pipe – compression plastic fittings	69 (W)
	Plastic pipe – PP ball valves	70 (W)
	Plate heat exchangers – custom for specific boiler brands	126 (F)
	Plate heat exchangers – insulation shells	139 (F) 124 (W)
	Plate heat exchangers – medium and high flow (threaded)	138 (F) 123 (W)
	Plate heat exchangers – O-rings and gaskets	125 (F)
	Plate heat exchangers – pre-assembled modules	126 (W)
	Plate heat exchangers – serviceable (inspectable)	121 (W)
	Plate heat exchangers – standard size (low flow)	119 (F)
	Plate heat exchangers – standard size (medium flow)	124 (F)
	Plumbing fittings	155 (W)
	Plumbing systems – components and accessories	154 (W)
	Plumbing systems – escutcheons (wall plates)	158 (W)
	Plumbing systems – flexible waste pipes	162 (W)
	Plumbing systems – float valves	164 (W)
	Plumbing systems – protection and test plugs	155 (W)
	Plumbing systems – shower traps	161 (W)
	Plumbing systems – single-lever ceramic disc taps	168 (W)
	Plumbing systems – spare parts	170 (W)
	Plumbing systems – standard taps	167 (W)
	Plumbing systems – timed (self-closing) taps	169 (W)
	Plumbing systems – traps and waste fittings	159 (W)
	Plumbing systems – under wash-basin and taps	156 (W)
	Plumbing systems – waste pipes	158 (W)
	Pockets for thermostats and temperature sensors	40 (F)
	Polyethylene pipes	31 (W)
	Polyethylene pipes – compression fittings	34 (W)
	Polyethylene pipes – nickel-plated compression fittings	36 (W)
	Polyethylene pipes – press fittings	34 (W)
	Polyethylene pipes – tools	193 (W)
	Polyphosphate dosing units	141 (W)
	Portable gas leak detectors	49 (F)
	Power transformers	33 (F)
	PP plastic ball valves for plastic pipe	70 (W)
	Pre-assembled anti-condensation units for biomass systems	91 (W)
	Pre-assembled cabinets with manifolds for radiant systems	28 (W)
	Pre-assembled domestic hot water production units	126 (W)
	Pre-assembled mixing units for underfloor heating systems	24 (W)
	Premix fans for condensing boilers	151 (F)
	Press fittings for polyethylene and multilayer pipes	34 (W)
	Pressure and level controls	130 (W)
	Pressure gauges	127 (W)
	Pressure gauges – accessories	128 (W)
	Pressure gauges for gas piping	49 (F)
	Pressure sensors	155 (F)
	Pressure switches and flow switches for heating systems	41 (F)
	Pressure switches for booster systems	130 (W)
	Pressure regulators/reducers for LPG cylinders	55 (F)
	Pressure test and protection caps	60 (W) 155 (W)
	Pressure transducers	155 (F)
	Primary heat exchangers for conventional boilers	143 (F)
	Professional tools and work equipment	191 (W)
	Profiles and accessories for brackets and general applications	179 (W)
	Programmable room thermostats (chronothermostats)	28 (F)
	PTFE tape	183 (W)
	Pump bodies / volutes for circulators	25 (F)
	Pump groups – components and accessories	118 (W)
	Pump groups units DN25 DN32	115 (W)

<b>R</b>	Radiator brackets	174 (W)
	Radiator lockshield valves and radiator valves	47 (W)
	Radiator lockshield valves and radiator valves – pipe fittings	49 (W)
	Radiator valves and lockshield valves	47 (W)
	Radiator valves and lockshield valves – pipe fittings	49 (W)
	Radiators – actuators for thermostatic, electric and electronic valves	50 (W)
	Radiators – adaptors and etc.ntric connectors for replacement	48 (W)
	Radiators – installation accessories	51 (W)
	Radiators – thermostatic valves for actuator control	50 (W)
	Radiators – valves and lockshield valves	47 (W)
	Radiators – valves and lockshield valves – pipe fittings	49 (W)

<b>R</b>	Refractory and insulating slabs.....	84 (F)
	Replacement diaphragms for boilers and water heaters.....	170 (F)
	Replacement motors for burners.....	176 (F)
	Replacement motors for fan coil units.....	190 (W)
	Room thermostats.....	27 (F)
	Roses.....	158 (W)

<b>S</b>	Safety and discharge valves for biomass systems.....	88 (W)
	Sanitary waste pipes.....	158 (W)
	Scale inhibitors for systems.....	141 (W)
	Sealants and hydraulic sealing materials.....	183 (W)
	Sealing and fixing materials.....	174 (W)
	Sealing gaskets for taps/valves.....	173 (W)
	Servomotors and mixing valves.....	36 (F)
	Shower traps.....	161 (W)
	Showers and accessories.....	165 (W)
	Silicone sealants.....	184 (W)
	Single-lever ceramic disc taps.....	168 (W)
	SIT – gas valves.....	113 (F)
	SIT – ignition and control boards.....	95 (F)
	SIT – ignition boards.....	95 (F)
	SIT gas valves – spare parts and accessories.....	116 (F)
	Skirting board with inspectable concealed pipe duct.....	33 (W)
	Smoke extractors for biomass stoves and boilers.....	76 (F)
	Solar panels – temperature sensors.....	107 (F)
	Solar thermal systems – air vents (dearators).....	86 (W)
	Solar thermal systems – antifreeze fluid.....	85 (W)
	Solar thermal systems – circulating pumps.....	17 (F)
	Solar thermal systems – components.....	84 (W)
	Solar thermal systems – control units and thermostats... 39 (F) 87 (W)	
	Solar thermal systems – expansion vessels.....	85 (W)
	Solar thermal systems – pump groups.....	84 (W)
	Solar thermal systems – safety valves.....	86 (W)
	Solar thermal systems – temperature probes.....	107 (F)
	Solar thermal systems – thermostatic mixing valves.....	86 (W)
	Solar-powered submersible pumps.....	137 (W)
	Soldered fittings in bronze.....	67 (W)
	Soldered copper fittings.....	65 (W)
	Soldering and brazing materials.....	68 (W)
	Solenoid valves for diesel burners.....	177 (F)
	Solenoid valves for water.....	153 (W)
	Split-wire thermocouples.....	118 (F)
	Standard flue gas extractors for gas boilers.....	145 (F)
	Standard safety valves..... 189 (F) 79 (W)	
	Standard sanitary taps.....	167 (W)
	Stem valves for electric and thermostatic actuators..... 43 (F) 149 (W)	
	Strap-on thermostats (analogue and digital).....	34 (F)
	Submersible pumps.....	135 (W)
	Submersible pumps – accessories.....	135 (W)
	Support brackets for distribution manifolds.....	18 (W)
	Swimming pool filtration pumps.....	134 (W)
	System cleaning acid (heating systems).....	194 (F)
	System separator for old/new boiler integration..... 139 (F) 125 (W)	

<b>T</b>	Tangential fans – spare parts.....	71 (F)
	Temperature control – components for zoned systems.....	27 (F)
	Temperature sensors for biomass boilers.....	64 (F)
	Temperature sensors for biomass boilers and stoves.....	108 (F)
	Temperature sensors for boilers.....	96 (F)
	Temperature sensors for solar panels.....	107 (F)
	Temperature sensors for thermostats and thermoregulators.....	107 (F)
	Temperature thermocouples.....	117 (F)
	Thermocouple testers.....	118 (F)
	Thermocouples – adapters, fittings, interrupters, testers.....	118 (F)
	Thermo-hygrometers.....	128 (W)
	Thermometers, pressure gauges – accessories.....	110 (W)
	Thermostatic mixing valves for domestic hot water.....	146 (W)
	Thermostatic mixing valves for domestic hot water.....	146 (W)
	Thermostatic mixing valves for heating systems.....	98 (W)
	Thermostatic mixing valves for heating systems.....	98 (W)
	Thermostatic mixing valves for solar systems.....	86 (W)
	Thermostatic mixing valves for solar systems.....	86 (W)
	Thermostatic radiator valves for actuator control.....	50 (W)
	Thermostatic valves with remote capillary sensor.....	148 (W)

<b>T</b>	Thermostats – temperature sensors.....	107 (F)
	Thermostats and control units for solar systems..... 39 (F) 87 (W)	
	Thermostats for fan coil units (fcu).....	30 (F)
	Threaded brass fittings.....	53 (W)
	Threaded brass nipples.....	60 (W)
	Threaded brass tube bar.....	60 (W)
	Three-way mixing valves.....	97 (W)
	Three-way pressure valves and spare parts.....	156 (F)
	Time switches and hour counters.....	42 (F)
	Timed (self-closing) sanitary taps.....	169 (W)
	Tools for CSST corrugated pipe.....	193 (W)
	Tools for multilayer and polyethylene pipe.....	193 (W)
	Towel radiators.....	45 (W)
	Towel radiators.....	45 (W)
	Towel radiators – components for dual fuel operation.....	46 (W)
	Towel radiators – components for dual fuel operation.....	46 (W)
	Traditional sanitary taps.....	170 (W)
	Traps and waste fittings.....	159 (W)
	Twin circulators – assembled manifold.....	18 (F)

<b>U</b>	Underfloor heating systems – insulation panels.....	40 (W)
	Underfloor heating systems – insulation panels accessories.....	42 (W)
	Underfloor heating systems – pre-assembled manifold cabinets.....	28 (W)
	Underfloor heating systems – pre-assembled mixing units.....	24 (W)
	Underfloor heating systems – thermostatic mixing valves.....	98 (W)
	Under-sink fittings and taps.....	156 (W)
	Universal thermocouple tester.....	118 (F)

<b>V</b>	Valves and accessories for circulators.....	99 (W)
	Valves and fittings for circulators.....	26 (F)

<b>W</b>	Wall mounting hardware.....	174 (W)
	Wall plugs and screws.....	181 (W)
	Water analysis – instruments.....	142 (W)
	Water filters.....	140 (W)
	Water flexible hoses.....	101 (W)
	Water lifting pumps.....	132 (W)
	Water meters.....	60 (W)
	Water pressure reducing valves.....	145 (W)
	Water pumping and pressurisation units.....	134 (W)
	Wilo – universal replacement motor.....	10 (F)
	Wireless RF thermostats and programmable thermostats.....	31 (F)
	Wiring boxes for thermostats and actuators.....	32 (F)

<b>Z</b>	Zone valves.....	43 (F)
	Zoned systems components – temperature control.....	27 (F)

### HOW TO ORDER FROM US

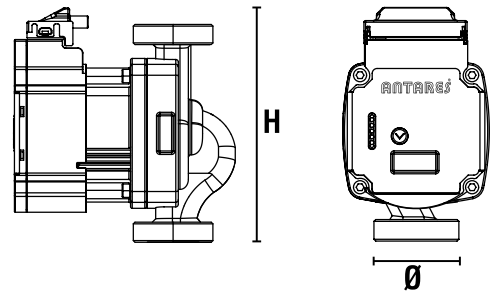
<p><b>E-mail</b></p> <p> <a href="mailto:uk@antaresint.com" style="color: #0070C0; text-decoration: none;">uk@antaresint.com</a></p>	<p><b>Website</b></p> <p> <a href="http://www.antaresint.com" style="color: #0070C0; text-decoration: none;">www.antaresint.com</a></p>
<p><b>Telephone</b></p> <p> <a href="tel:+441227458684" style="color: #0070C0; text-decoration: none;">+44 1227 458 684</a></p>	<p><b>Whatsapp</b></p> <p> <a href="https://wa.me/441227458684" style="color: #0070C0; text-decoration: none;">+44 1227 458 684</a></p>

# HIGH-EFFICIENCY COMPACT CIRCULATORS WITH FREQUENCY MODULATION (EEI≤0.21) WITH PWM

The MODULEX circulating pump, like all frequency modulation circulators, is made to automatically adapt to the system's needs through its controller, and to the number of heaters open or closed. Through its inverter it increases and decreases the number of revolutions and so the quantity of water in relation to the system's needs. It can have a PWM control socket with which, if connected, it is controlled by the boiler's electric box, and, if not connected, is self-regulating in relation to the system's need.

## Mod. HYBRID CAST-IRON BODY

4 Year Warranty



### Main features

- EEI≤0.21
- Function: SELF ADAPT - SA
- Constant speed - CS
- Proportional pressure - PP
- Constant pressure - CP
- Controller PWM
- Function display

### Compatible and interchangeable with:

WILO

- PARA (all types with or without PWM controller)
- PICO (all types with or without PWM controller)
- YONOS (all types with or without PWM controller)



Old Models  
RS xx / X  
and other brands

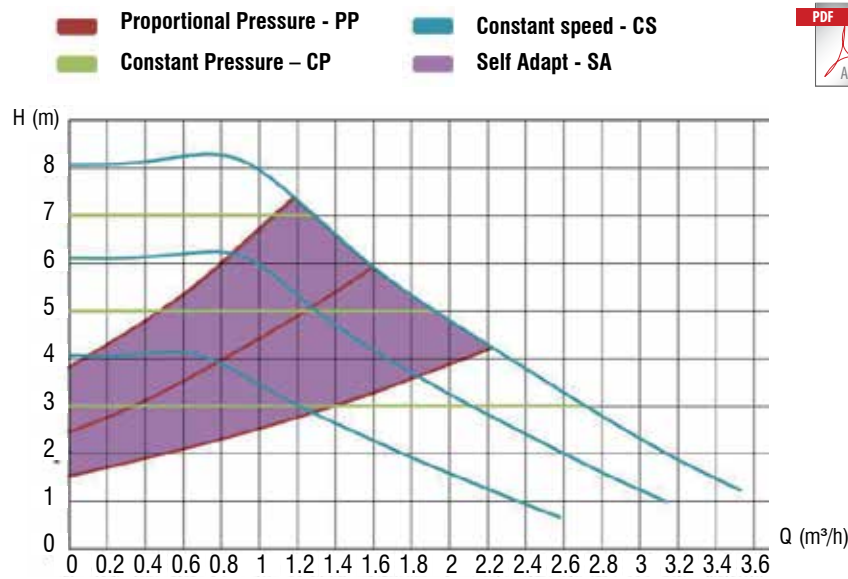
### Compatible and interchangeable with:

GRUNDFOS UPM3 and other brands  
Alte GRUNDFOS-Modele and other brands

- UPM3 (all types with or without PWM controller)
- UPM2 (all types with or without PWM controller)
- ALFA2 (all types with or without PWM controller)



Old models  
Grundfos UPS xx xx  
xxx and other brands



Art. P.110 - Antares circulating pump type Modulex Hybrid with frequency modulation inverter, high-efficiency, wet rotor. With PWM control socket, equipped with SELF ADAPT function, self-regulating with or without cable connection to PWM controller. Temperature: 2 – 110 °C.

Max flow rate: m3/h 4.1. Self-regulating. Satisfies every need of a circulating in a single product. Comes with gaskets and power cable. Power supply 230 Vac – 4-years warranty.

Art. code	Type "Hybrid"	Max head	Height (H)	Connections. Ø	W	Price £/Quantity ≥	
						1	10
P.110.69	UPMH 15-60-130	6 mt.	130	1" M.	45	59.26	56.47
P.110.60	UPMH 25-60-130	6 mt.	130	1 1/2" M.	45	59.31	56.49
P.110.68	UPMH 25-60-180	6 mt.	180	1 1/2" M.	45	59.63	57.01
P.110.89	UPMH 15-80-130	8 mt.	130	1" M.	65	59.85	58.65
P.110.84	UPMH 20-80-130	8 mt.	130	1 1/4" M.	65	65.70	62.77
P.110.80	UPMH 25-80-130	8 mt.	130	1 1/2" M.	65	59.85	58.65
P.110.88	UPMH 25-80-180	8 mt.	180	1 1/2" M.	65	59.85	58.65
P.110.82	UPMH 32-80-180	8 mt.	180	2" M.	65	68.00	62.77

### Complete with connection cables

Connections Type: Common Style



Power supply connection type Molex  
Connection PWM type FCI

## Mod. FLEX CAST-IRON BODY

4 Year Warranty



Price 54.25 £

8 mt.

PWM

PP

CP

CS

SA



EEI ≤ 0.21



Art. P.112

4.1 m³/h

### A circulating pump for all uses and replacements:

Heating and cooling systems, heat pumps, solar thermal systems – Can be equipped with all the specific and fast electrical connections for replacements.

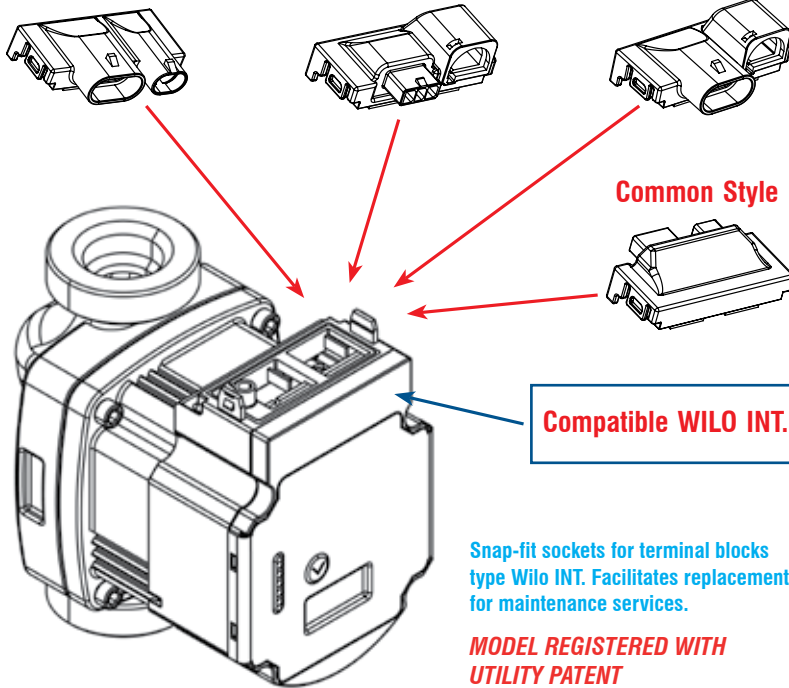
Grundfos Standard

Wilo Standard

Grundfos FCI

Common Style

Compatible WILO INT.



Snap-fit sockets for terminal blocks type Wilo INT. Facilitates replacement for maintenance services.

MODEL REGISTERED WITH UTILITY PATENT

Art. P.112 - ANTARES type Modulex Flex circulating pump with frequency modulation inverter and terminal block Wilo INT compatible, high-efficiency, with wet rotor. With PWM control socket, equipped with AUTO Adapt function, self-regulating with or without cable connection to PWM regulator – Temperature: 2-110 °C.

Max. flow rate: mc/h 4.1 – Head: 8 mt – Satisfies all the needs of a circulating pump in one single product – Power supply: 230 Vac – 4-year warranty.

Art. code	Type "Flex"	Height (H)	Connections. Ø	W	Price £/Quantity ≥	
					1	10
P.112.89	UPMF 15-80-130	130	1" M.	65	55.95	54.25
P.112.80	UPMF 25-80-130	130	1 1/2" M.	65	55.95	54.25
P.112.88	UPMF 25-80-180	180	1 1/2" M.	65	55.95	54.25

Same performance features as circulating pumps type HYBRID art. P.110.xx, but with electrical connections type Wilo INT

WILO compatible and interchangeable: with the application of a connection plate



WILO PARA 6-43  
WILO PARA 7-50  
WILO YONOS PARA 15-60  
WILO YONOS PARA 15-70  
WILO PARA 6-43 PWM  
WILO PARA 7-50 PWM  
WILO YONOS PARA 15-60 PWM  
WILO YONOS PARA 15-70 PWM

WILO compatible and interchangeable: without the application of a connection plate



WILO PARA INT 6-43  
WILO PARA INT 7-50  
WILO PARA INT 6-43 PWM  
WILO PARA INT 7-50 PWM  
WILO YONOS PARA INT 15-7  
WILO YONOS PARA INT 15-6  
WILO YONOS PARA INT 15-7 PWM  
WILO YONOS PARA INT 15-6 PWM



Acronyms KSL – MALL – NFS – TLS on circulating pumps define the various plastic bodies – Please see our range on page 19 (F).

For these replacements we advise the replacement of the motor only; please see Art. P.122.-- on page 10 (F).

Even with older non-high-efficiency models.

Grundfos compatible and interchangeable: with the application of a connection plate



GRUNDFOS UPM3 15-60  
GRUNDFOS UPM3 15-70  
GRUNDFOS UPM3 15-75  
GRUNDFOS UPM3S 15-60  
GRUNDFOS UPM4 15-60  
GRUNDFOS UPM4 15-70  
GRUNDFOS UPM3 AUTO 15-60  
GRUNDFOS UPM3 AUTO 15-70  
GRUNDFOS UPM3 AUTO 15-75  
GRUNDFOS UPM3 FLEX 15-60  
GRUNDFOS UPM3 FLEX 15-70





Acronyms CACAO – CAOD – CESA02, etc., on circulating pumps define the various plastic bodies – Please see our range on page 19 (F).

For these replacements we advise the replacement of the motor only; please see Art. P.121.-- on page 11 (F)

Even with older non-high-efficiency models.

Art. P.170 - Snap fit socket with electrical connections for circulating pump FLEX Art. P.112 and spare motor Art. P.121.xx and P.122.xx – Protection level IP44.

The socket sticks to the upper side of the terminal block of circulating pump Art. P.112 or of spare motor P.121.84 or P.122.84, and allows the circulating pump to be equipped with electrical connections with the types below, so to help replacement.

Art. code	Type	Price £
P.170.02	<b>Wilo Standard</b> Molex + FCI Crescent 	3.95
P.170.01	<b>Grundfos Standard</b> Super Seal + Mini Super Seal 	3.95
P.170.03	<b>Grundfos FCI</b> Super Seal + FCI Crescent 	3.95
P.170.00	<b>Common Style</b> Molex - FCI Rectangular 	3.95

For specific connection cables please see on page 24 (F)

# Replacement motors with PWM-controlled variable-speed impeller for domestic circulator pumps

## FLEX frequency conversion type with PWM control and socket – Energy Efficiency Index < 0.21



**CLOCKWISE ROTATION  
FOR WILO and other brands**

Price £ 51.35



**4 YEAR WARRANTY** Art. P.122

Art. P.122 - Universal spare motor with high-efficiency frequency conversion rotor and inverter for replacements on domestic circulators WILO and other brands with clockwise rotation (CW). With PWM control socket and equipped with SELF ADAPT, PP, CP, CS functions. Self-regulating with or without cable connection to PWM controller. 4-year warranty.

Self-regulating. Satisfies all the needs of a circulating pump all in one product. Distance between mounting holes 69 mm. Comes with gaskets\*. Max. flow rate: 4.1 mc/h – Max. head 8 mt. – 4-year warranty.

\*The motor can use the power supply cables already present in the boilers, therefore it is supplied without cables. For extra cables see page 24 (F).

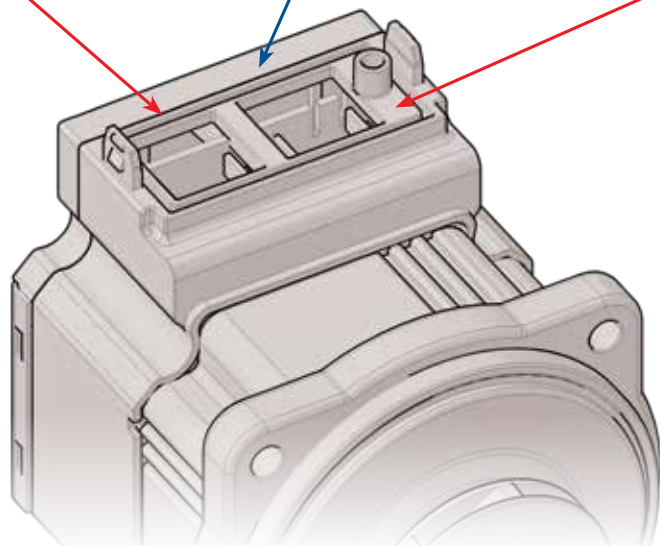
### Table of equipped electrical connections

Art. code	Connection type	Price £/Quantity ≥	
		1	10
P122.84	Base socket type INT	52.95	51.35
P122.82	Wilco standard: Molex – FCI crescent	56.85	55.25
P122.80	Common Style: Molex – FCI rectangular	56.85	55.25

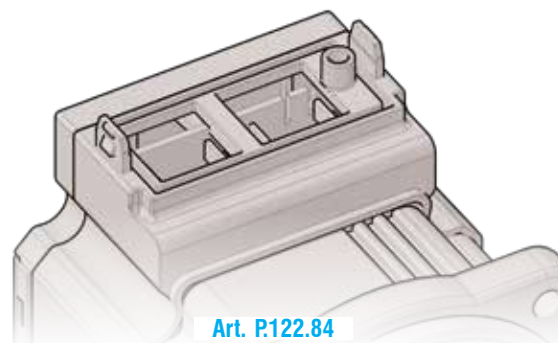
Models above are already equipped with defined connections

### MODEL REGISTERED WITH UTILITY PATENT®

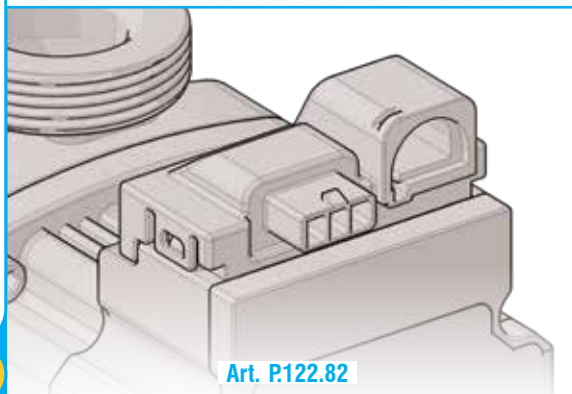
### Equipment of electrical connections



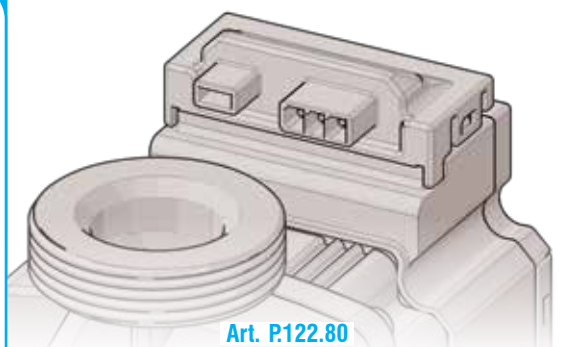
### Compatible interchangeable



Art. P.122.84



Art. P.122.82



Art. P.122.80

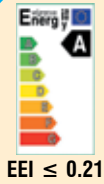
Art. P.170 - Snap-fit socket with electrical connections for circulating FLEX art. P.122 and spare motors Art. P.121.84 – Protection Level IP44.

The socket sticks to the upper side of the terminal block of circulating pump Art. P.112 or of spare motor P.122.84, and allows the circulating to be equipped with electrical connections with the types below, so to help replacement.

Art. code	Type	Price £
P170.02	<b>Wilo Standard</b> Molex + FCI crescent	3.95
P170.00	<b>Common Style</b> Molex - FCI rectangular	3.95

For specific connection cables please see on page 24 (F)

# FLEX frequency conversion type with PWM control and socket – Energy Efficiency Index EEI <0.21



**ANTI- CLOCKWISE ROTATION  
FOR GRUNDFOS and other brands**

Price £ 51.35



**4 YEAR WARRANTY**

Art. P.121

Compatible interchangeable



Art. P.121 - Universal spare motor with rotor and frequency conversion and inverter for replacements on domestic circulators GRUNDFOS and other brands with anti-clockwise rotation (CCW). With PWM control socket, equipped with SELF ADAPT, PP, CP, CS functions. Self-regulating with or without cable connection to PWM controller. 4-year warranty.

Self-regulating. Satisfies all the needs of a circulating pump all in one product. Distance between mounting holes 68 mm. Comes with gaskets\*. Max. flow rate: 4.1 mc/h – Max. head 8 mt. – 4-year warranty.

\*The motor can use the power supply cables already present in the boilers, therefore it is supplied without cables. For extra cables see page 24 (F).

### Table of equipped electrical connections

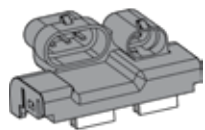
Art. code	Connection type	Price £/Quantity ≥	
		1	10
P121.84	Base socket type INT	52.95	51.35
P121.81	Grundfos standard: SuperSeal – Mini SuperSeal	56.85	55.25
P121.83	Grundfos FCI: SuperSeal – FCI crescent	56.85	55.25

Models above are already equipped with defined connections

## MODEL REGISTERED WITH UTILITY PATENT®

### Equipment of electrical connections

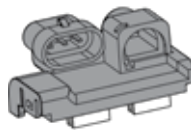
Grundfos Standard



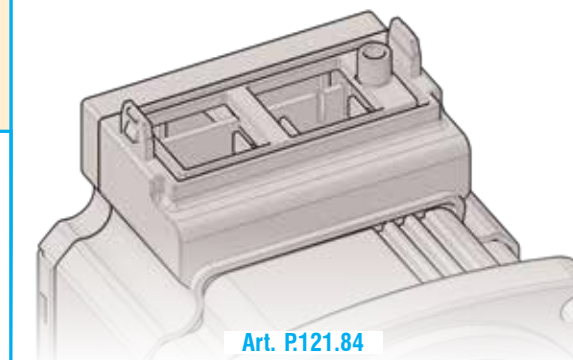
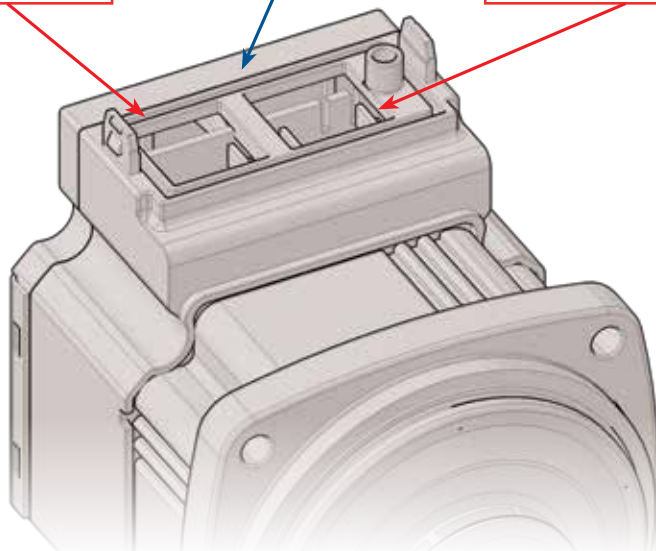
Art. P.121.81

Terminal block type  
Compatible WILO INT.  
Art. P.121.84

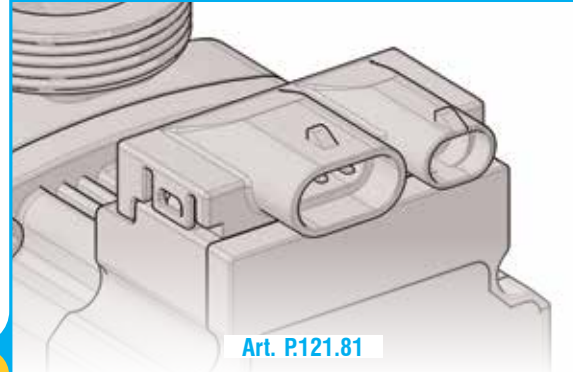
Grundfos FCI



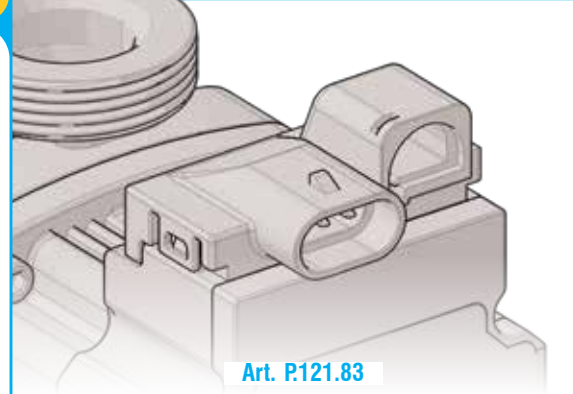
Art. P.121.83



Art. P.121.84



Art. P.121.81



Art. P.121.83

Art. P.170 - Snap-fit socket with electrical connections for FLEX circulating art. P.112 and spare motor Art. P.121 and P.122 – Protection level IP44.

The socket sticks to the upper side of the terminal block of circulating pump Art. P.112 or of spare motors P.121 and P.122 and allows the circulating to be equipped with electrical connections with the types below, so to help replacement.

Art. code	Type	Price £
P170.01	Grundfos Standard Super Seal + Mini Super Seal	3.95
P170.03	Grundfos FCI Super Seal - FCI crescent	3.95

For specific connection cables see on page 24 (F)

# High-efficiency universal motors with spare impeller for domestic circulators WITHOUT PWM

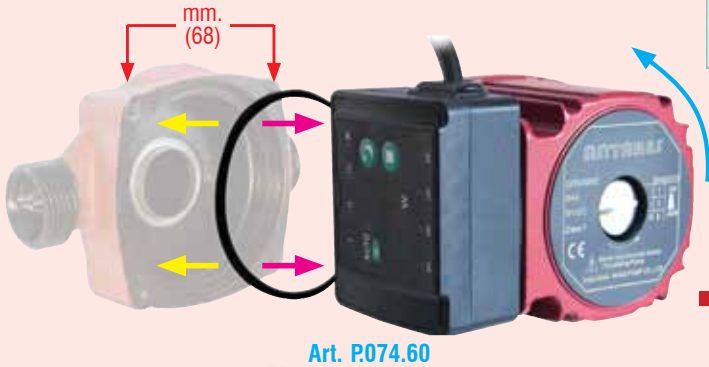
## UNIVERSAL MOTORS WITH IMPELLER:

2 models (ANTI-CLOCKWISE AND CLOCKWISE) that allow interchangeability on almost every circulators for domestic hot water on the market. The integrated electronic inverter will automatically regulate the head in relation to the system's needs.

## REPLACING THE MOTOR OFFERS MANY BENEFITS:

- Speed and ease due to the replacement of the motor only
- Less stocking and less fixed assets

### ANTI-CLOCKWISE ROTATION FOR GRUNDFOS and other brands



Art. P074.60

### CLOCKWISE ROTATION FOR WILO and other brands



Art. P075.60

N.B.

For functions and technical features, please see Art. P065 (on the next page).

N.B.

Art. P074.60 - Universal high-efficiency spare motor, with rotor, for replacement on domestic water circulating pumps WILO, ANTARES and other brands. With side electronic equipment and display of electrical consumption. Comes with screws. Anti-clockwise rotation.

Distance between mounting holes 68 mm. Comes with selectable speed controller, which allows reaching 4, 5 and 6 mt. head. 230 Vac. Max head 6 mt., flow rate 3.3 mc/h.

Quantity ≥	1	10
Price £	65.80	62.77

Art. P075.60 - Universal high-efficiency spare motor, with rotor, for replacement on domestic water circulating pumps WILO, ANTARES and other brands. With side electronic equipment and display of electrical consumption. Comes with screws. Clockwise rotation.

Distance between mounting holes 69 mm. Comes with selectable speed controller, which allows reaching 4, 5 and 6 mt. head. 230 Vac. Max head 6 mt., flow rate 3.3 mc/h.

Quantity ≥	1	10
Price £	66.85	64.34

## Universal spare motors with rotor for low efficiency domestic water pumps

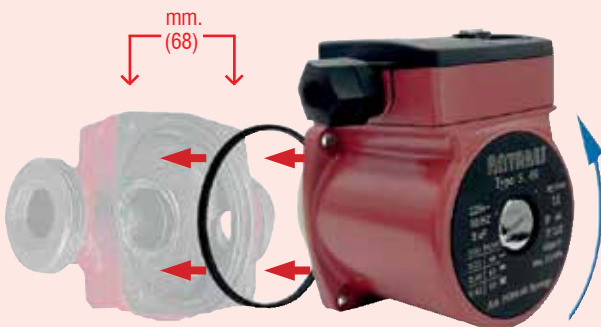
### UNIVERSAL MOTORS WITH IMPELLER:

2 models (ANTI-CLOCKWISE AND CLOCKWISE) allow interchangeability on almost every circulating pumps for domestic hot water on the market. The integrated electronic inverter will automatically control the head in relation to the system's needs.

### REPLACING THE MOTOR OFFERS MANY BENEFITS:

- Speed and ease due to the replacement of the motor only
- Less stocking and less fixed assets

### ANTI-CLOCKWISE ROTATION FOR GRUNDFOS and other brands



Art. P084.60

### CLOCKWISE ROTATION FOR WILO and other brands



Art. P085.60

Art. P084.60 - Universal spare motor with rotor for replacement on domestic water circulating pumps, "GRUNDFOS," "MYSON," "ANTARES" and other brands. Comes with screws. Anticlockwise rotation.

Distance between mounting holes 68 mm. Comes with selectable speed controller, which allows adjustment the head to the system's needs. Max. head 6 mt. Flow rate: 3.3 mc/h.

Quantity ≥	1	10
Price £	29.35	28.75

Art. P085.60 - Universal spare motor with rotor for replacement on domestic water circulating pumps "WILO," "WSC" and other brands. Comes with screws. Clockwise rotation.

Distance between mounting holes 69 mm. Comes with selectable speed controller, which allows adjustment the head to the system's needs. Max. head 6 mt. Flow rate: 3.3 mc/h.

Quantity ≥	1	10
Price £	29.95	28.75

N.B.

This product is to be considered a spare part (component) for a circulating pump; therefore, it can be installed, as it does not fall under the EuP Directive 2016, which applies to complete circulating pumps and not to spare parts for older models.

# High efficiency compact circulating pumps with frequency modulation without PWM (EEl≤0.21)

## “AlfaMax” small flow rate Series 5-6 mt. with side-mounted electronic unit

6 mt.

PDF Adobe

Energy Label A

95

129

100

130

Art. P.065

3.6 m<sup>3</sup>/h

H(m)

Q (m<sup>3</sup>/h)

AS --/ 50

AS --/ 60

**Art. P.065 - “AlfaMax” wet rotor, high energy efficiency circulator, EU Energy Label A and with EEl energy efficiency coefficient less than 0.20. With side electronic equipment.**

With lateral electronic equipment and display of electrical consumption. Equipped with wet rotor - 2-year warranty. Complies with the new European Directive ERP 200/125/CE. For the insulation shell, see item P.070, on page 26 (F).

Art. code	Type “AlfaMax”	Max. Head mt.	Max. flow rate Lt./min.	Height (H)	Connections. Ø	W	Price £/quantity ≥	
							1	10
P.065.59	AS 15/50	5	50.5	130	1” M.	32	67.69	64.76
P.065.50	AS 25/50			130	1 1/2” M.	32	67.79	64.76
P.065.69	AS 15/60	6	60	130	1” M.	45	67.79	64.76
P.065.60	AS 25/60			130	1 1/2” M.	45	67.79	64.76

## “AlfaMax” small flow rate Series 6-8 mt. with front-mounted electronic unit

8 mt.

PDF Adobe

Energy Label A

RS --/ 60

RS --/ 80

Art. P.064

4.9 m<sup>3</sup>/h

H(m)

Q (m<sup>3</sup>/h)

RS --/ 60

RS --/ 80

H

165

134

96 - 99

Ø

Model with power consumption display in Watts. If this function is not required, see the equivalent model Art. P.110 – on page 8 (F)

**Art. P.064 - “AlfaMax” wet rotor high energy efficiency circulator, EU Energy Label A and with EEl energy efficiency coefficient lower than 0.20. With display of electricity consumption.**

Wet rotor. 2-year warranty. Already compliant with the new European ERP directive 200/125/EC. For the insulating shell see art. P.070 on page 26 (F).

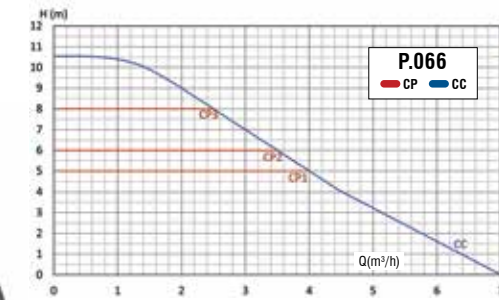
Art. code	Type “AlfaMax”	Max. Head mt.	Max. flow rate Lt./min.	Height (H)	Connections Ø (G)	W	Price £/quantity ≥	
							1	10
P.064.69	RS 15/60	6	50	130	1” M.	45	70.93	67.90
P.064.60	RS 25/60		50	130	1 1/2” M.	45	71.04	68.00
P.064.89	RS 15/80	8	70	130	1” M.	70	78.11	75.07
P.064.84	RS 25/80		70	130	1 1/2” M.	70	78.16	75.12
P.064.80	RS 25/80		70	180	1 1/2” M.	70	78.26	75.23
P.064.82	RS 32/80		70	180	2” M.	70	80.25	77.22

## Medium flow rate, high-efficiency PWM circulators

### AlfaMaior 8-12 m. Series with front-mounted electronic unit

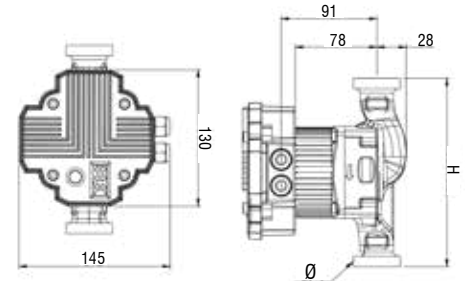
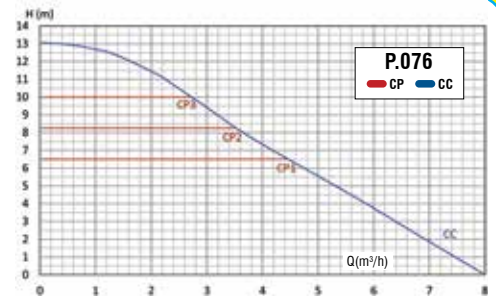
12 mt.

**3-YEAR WARRANTY**



**Circulating PUMP**  
EU Energy Label A Energy Efficiency Index EEI < 0.23

Art. P066  
Art. P076



8 m³/h

Art. P066 – Art. P076 – “AlfaMaior” circulating pump, wet rotor type, high energy efficiency, PWM-enabled, with energy efficiency index (EEI) below 0.23. Equipped with front-mounted electronic unit. Supplied with insulation shell.

Compliant with European Directive 200/125/EC. Flow rate and head as shown in the table. 3-year warranty. Self-regulating, with or without PWM cable connection.

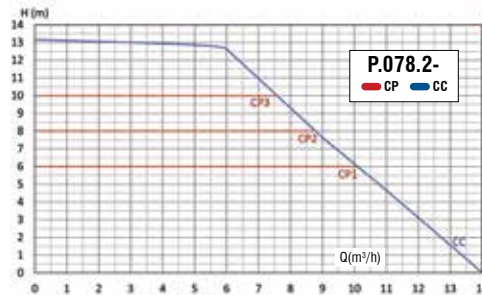
Art. code	Type	Max. head mt.	Connections Ø	Max flow rate m³/h	Height (H) mm	Power	Price £
P.066.12	APM 25/8	8	1 1/2"	7	180	80 W	88.17
P.066.42	APMN 25/105	10	1 1/2"	7	130	140 W	98.75
P.066.52	APMN 25/105	10	1 1/2"	7	180	140 W	105.02
P.066.70	APMN 32/105	10	2"	7	180	140 W	107.08
P.076.02	APMN 25/125	12	1 1/2"	8	130	185 W	126.04
P.076.12	APMN 25/125	12	1 1/2"	8	180	185 W	131.04
P.076.20	APMN 32/125	12	2"	8	180	185 W	132.98

## High - medium flow rate, high-efficiency PWM circulators

### AlfaPlus 12-18 m. Series with front-mounted electronic unit

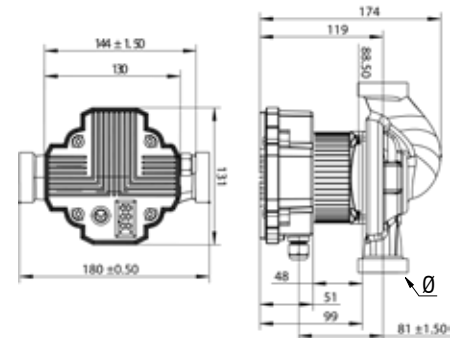
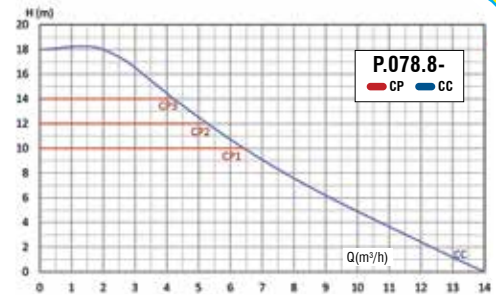
18 mt.

**3-YEAR WARRANTY**



**Circulating PUMP**  
EU Energy Label A Energy Efficiency Index EEI < 0.23

Art. P078



14 m³/h

Art. P078 - “AlfaPlus” circulating pump, wet rotor type, high-efficiency certified with PWM, suitable for heat pumps, with front-mounted electronic unit. Supplied with insulation shell

Compliant with European Directive 200/125/EC. Flow rate and head as shown in the table. 3-year warranty. Height 180 mm. Power 360 W. Self-regulating, with or without PWM cable connection.

Art. code	Type	Max. head mt.	Connections Ø	Max flow rate m³/h	Price £
P.078.20	APMN 25/120	12	1 1/2"	14	134.25
P.078.22	APMN 32/120	12	2"	14	136.45
P.078.80	APMN 25/180	18	1 1/2"	14	139.50
P.078.82	APMN 32/180	18	2"	14	140.61

# High flow rate, high-efficiency flanged circulating pumps

18 mt.

## Flanged DN 40



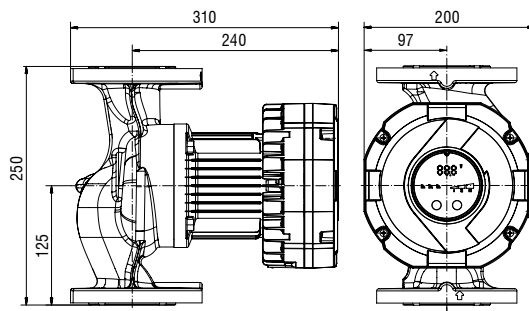
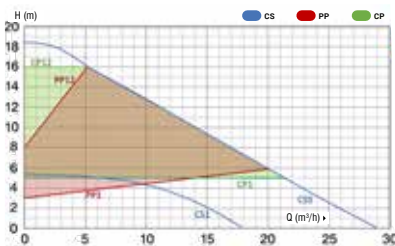
Art. P079.18

30 m³/h



Energy Efficiency Index  $\leq 0.21$

2-YEAR WARRANTY



Art. P079.18 - ANTARES type "AlfaMega" 40 flanged DN 40, wet rotor, high-efficiency circulating pump. Single-phase, 230 Vac with frequency modulation. Cast-iron body.

With proportional pressure control, constant pressure control.

Art. code	Type	Max. head m.	Max flow rate m³/h	Power W	Height L	Price £
P079.18	AlfaMega 40/18	18	30	670	250	585.30

18 mt.

## Flanged DN 50

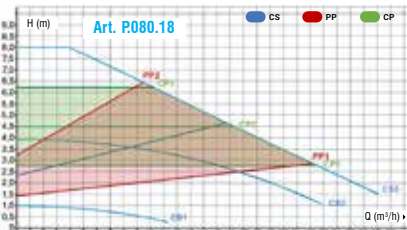
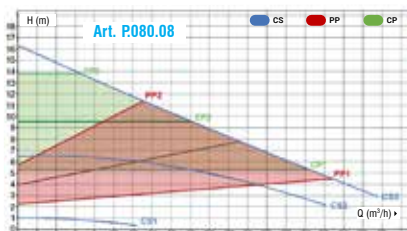
8 mt.



Art. P080

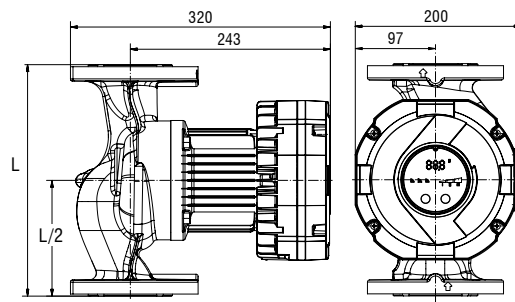
38 m³/h

28 m³/h



2-YEAR WARRANTY

Energy Efficiency Index  $\leq 0.21$



Art. P080 - ANTARES circulating pump, "AlfaMega" type, DN 50 flanged, high-energy-efficiency wet rotor. Single-phase 230 Vac with frequency modulation. Cast iron body.

With proportional pressure control and constant pressure control.

Art. code	Type	Max. head m.	Max flow rate m³/h	Power W	Height L	Price £
P080.08	AlfaMega 50/8	8	28	330	240	660.30
P080.18	AlfaMega 50/18	18	38	850	280	603.55

12 mt.

## Flanged DN 65



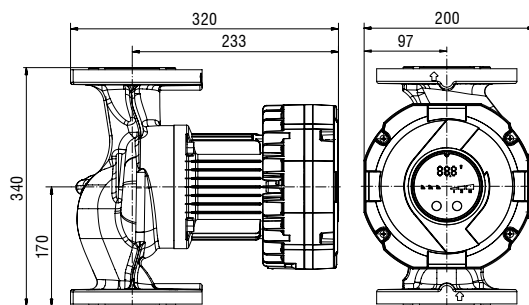
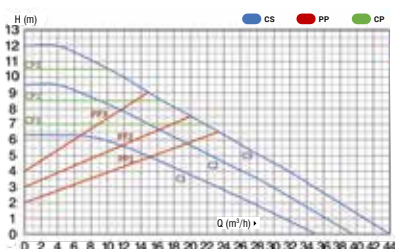
Art. P081.12

44 m³/h



Energy Efficiency Index  $\leq 0.21$

2-YEAR WARRANTY



Art. P081.12 - ANTARES type "AlfaMega" 65 flanged DN 65, wet rotor, high-efficiency circulating pump. Single-phase, 230 Vac with frequency modulation. Max. flow rate: 44 m³/h - Head 12 mt. Cast-iron body. Center-to-center distance: 340 mm.

With proportional pressure control and constant pressure control - Power: 1350 W.

Price £ 635.50

8 mt.

## Flanged DN 80



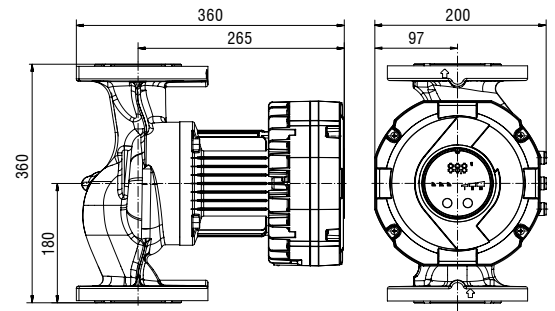
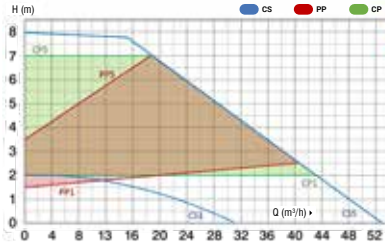
Art. P082.08

54 m³/h



Energy Efficiency Index  $\leq 0.21$

2-YEAR WARRANTY



Art. P082.08 - ANTARES type "AlfaMega" 80 flanged DN 80, wet rotor, high-efficiency circulating pump. Single-phase, 230 Vac with frequency modulation. Max. flow rate: 54 m³/h – Head 8 mt. Cast-iron body. Center-to-center distance: 360 mm.

With proportional pressure control, constant pressure control. – Power W: 915.

Price £ 675.70

N.B.



For the full range of counter flanges and accessories please see page page 61 (W).

## Circulators for high-efficiency solar systems – EEI $\leq 0.21$

4-YEAR WARRANTY



PWM1  
OR  
PWM2

Ethylene glycol max 50%

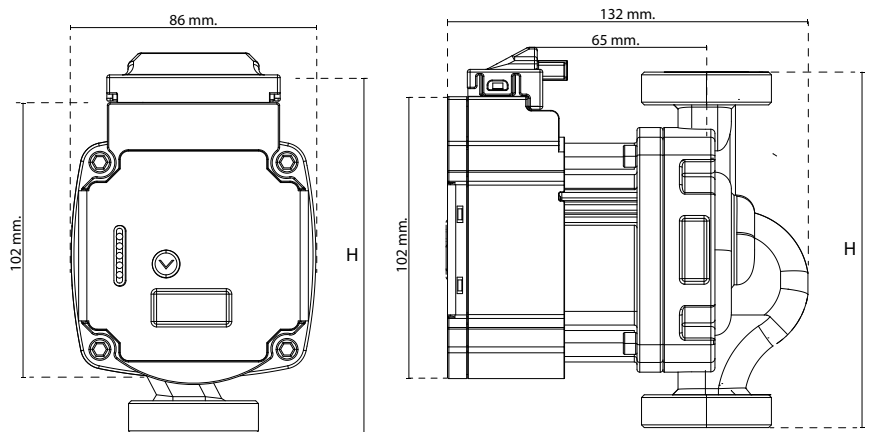
Suitable for solar systems

8 - 9 mt.



Art. P023

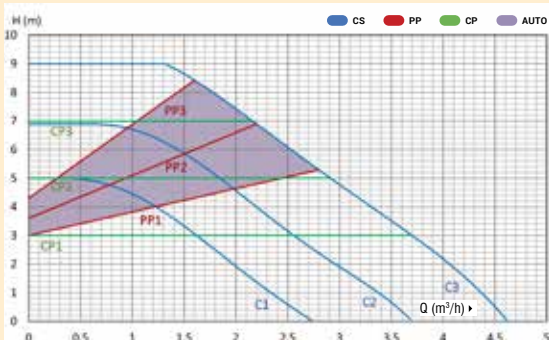
4.6 m³/h



Art. P023 - ANTARES type MODULEX SOLAR high-efficiency circulating pump with frequency modulation inverter and with parametrizable PWM2 or PWM1 control socket, equipped with SELF ADAPT self-regulating function, with or without PWM cable connection. Specifically made for solar powered systems.

Max flow rate: m³/h 4.1. Self-regulating. Satisfies all the needs of a circulating pump all in one product. Comes with gaskets, power cable and PWM socket cable. Power supply 230 Vac – 4-year warranty.

Art. code	"Solar" type	Max. head	Height (H)	Connections Ø	W	Price £/Quantity $\geq$	
						1	10
P023.89	UPMS 15-80-130	8 mt.	130	1" M.	65	68.84	65.80
P023.80	UPMS 25-80-130	8 mt.	130	1 1/2" M.	65	68.84	65.80
P023.99	UPMS 15-90-130	9 mt.	130	1" M.	90	69.95	66.95
P023.90	UPMS 25-90-130	9 mt.	130	1 1/2" M.	90	69.95	66.95
P023.98	UPMS 25-90-180	9 mt.	180	1 1/2" M.	90	69.95	66.95

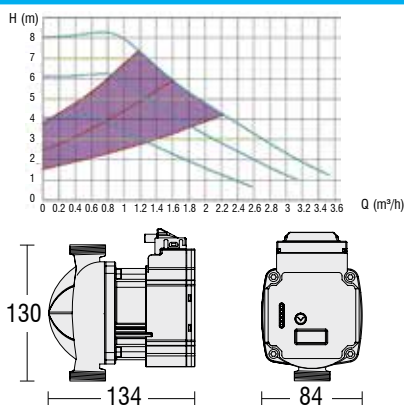


# Recirculating pumps for domestic hot water

**Plastic body**



Art. P.061.80



**2-YEAR WARRANTY**

Art. P061.80 - High-efficiency recirculating pump ANTARES MODULEX H for domestic hot water. 230 V. Counterclockwise rotation (CCW). Plastic body. Technical and performance characteristics like Art. P.110 on page 8.

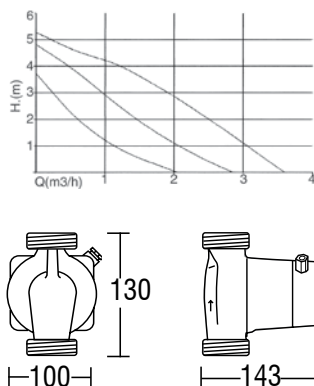
Coupling 1" M. Height of connections: 130.

Price £ 61.65

**Bronze body**



Art. P.090.00



**2-YEAR WARRANTY**

Art. P090.00 - Antares recirculating pump for domestic hot water with bronze body 230 V - 50 Hz - 2-years warranty. Head: 6 mt. - Flow rate: 3.3 m³/h.

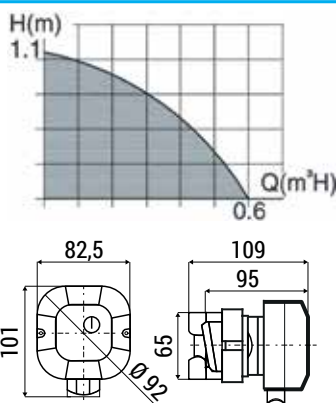
Connections: 1 1/2" M. - 96 W.  
Maximum pressure: 10 bar.

Price £ 98.85

**Stainless steel body**



Art. P.093.02



**2-YEAR WARRANTY**

Art. P093.02 - High-efficiency re-circulation pump for domestic hot water. W= 9 - 230 V. - 50 Hz. Stainless steel body.

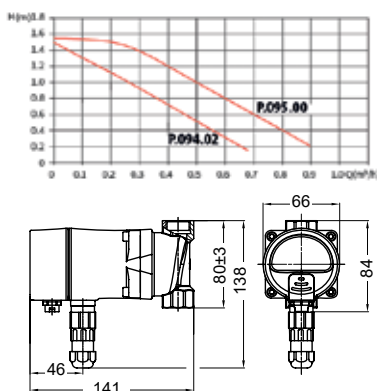
Connections: 1/2" F. - Maximum pressure 10 bar  
- Head: 1.1 m. Flow rate: 10 litres/min. - 2-years warranty.

Price £ 127.77

**Brass body**



Art. P.094.02



**2-YEAR WARRANTY**

Art. P094.02 - High-efficiency recirculation pump for domestic hot water ANTARES type HOTMATIC 15-1.5 with brass body. Power consumption: 5 W - 230 Vac. - 2 years warranty.

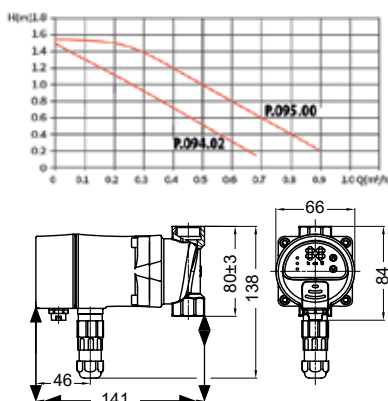
Connections: 1/2" F. F. - Comes with insulating shell. With temperature sensor. Flow rate: 0.9 m³/h  
- Head 1.5 m.

Price £ 63.47

**Brass body**



Art. P.095.00



**2-YEAR WARRANTY**

Art. P095.00 - High-efficiency ANTARES type HOTMATIC recirculating pump for domestic hot water. 15-1.5 with brass body. Consumption: 8 W - 230 Vac. - 2 year warranty.

Couplings: 1/2" F. F. - Complete with insulating shell. With temperature sensor. Flow rate: 0.9 m³/h. Head 1.5 m. With electronic control display with programming for:

- Operation at hourly intervals over 24 hours.
- Operation with temperature control
- Washing function, to avoid bacterial colonies formation

Price £ 96.65

## Automatic pressure boosting pumps

**2-YEAR WARRANTY**

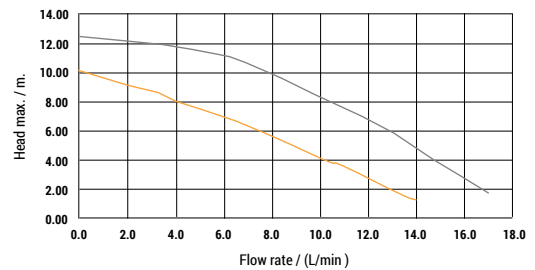
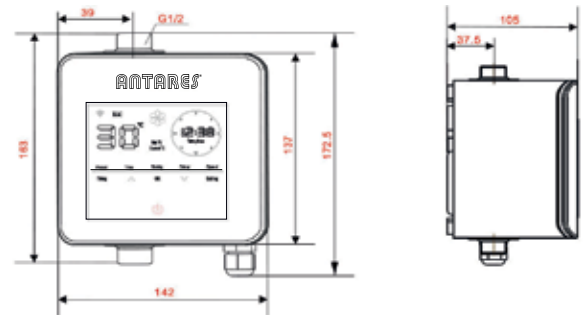


Art. P202.02

**Application:**



**IDEAL FOR LARGE SHOWERS**



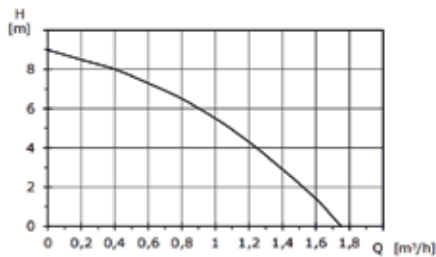
**Art. P202.02 - Pressure boosting pump for domestic hot water – 18 l/m.**

High-efficiency pressure boosting pump for domestic hot water. Brass body. Connections: 1/2" M. - 1/2" M. 230 Vac - 18 litres. per minute - Head: 12 m.

**Price £ 116.79**



Art. P204.03



**Art. P204.03 - ANTARES domestic water pressure boosting pump type BOOSTER PRESSION 15-9AB with brass body. - 2 year warranty.**

3/4" connections, complete with brass pipe unions. Length from coupling to coupling: 160 mm. With check-valve and integrated flow switch, which allows automatic start and stop. Power: 120 W - 230 Vac. Head: 9 m. - Flow rate: 1.78 m³/h. Designed to increase the pressure of domestic water supplied from an external source and make it available for showers, taps and other withdrawal points.

**Price £ 77.48**

## Manifolds for circulators twin coupling



Art. P180

1 1/2"



Art. P181

2"

**Art. P180 - Manifold for circulators twin coupling complete with n. 2 screwdriver ball valves for an easy replacement, with no need to drain the system. With insulating shell.**

Connections: system side 1 1/2" – pumps side: 1 1/2" F. swivel.

Art. code	Model	Price £
P180.12	Without check valve	188.40
P180.52	With check valve	214.45

**Art. P181 - Manifold for circulators twin coupling complete with n. 2 butterfly handle ball valves for an easy replacement, with no need to drain the system. With insulating shell.**

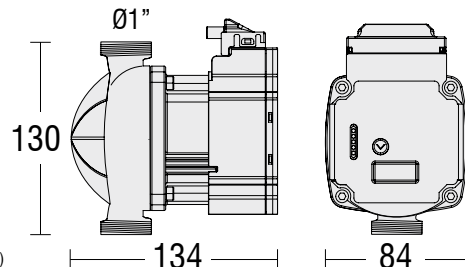
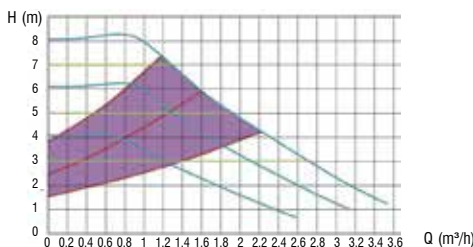
Connections: system side 1 1/4" and 2" - pumps side: 2" F. swivel.

Art. code	Model	Price £
P181.20	Without check valve	319.76
P181.60	With check valve	368.20

## Circulators with plastic-body for customised boilers



Art. P.061.80



**P.061.80** – High-efficiency, wet rotor Antares circulating pump with mixed plastic body type Modulex Hybrid, with frequency modulation inverter. With PWM control socket, equipped with SELF ADAPT function, self-regulating with or without cable connection to PWM controller. Can be used with DHW. Performance characteristics same as art. P.110 on page 8 (F).

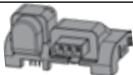



Max flow rate: m<sup>2</sup>/h 4.1. Self-regulating. Satisfies all the needs of a circulating pump in one single product. Comes with gaskets and power cables. Power supply 230 Vac. 4-years warranty. Connections 1" M.

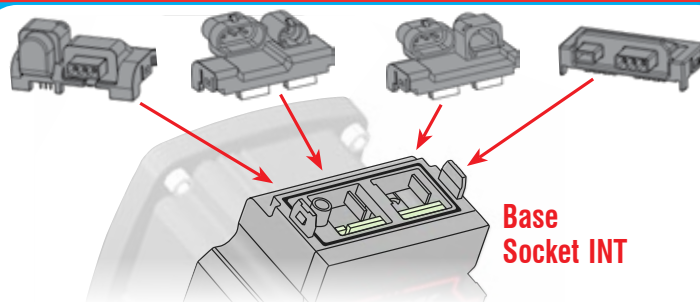
Price £ 61.65

**N.B.**

Many boilers manufacturers equip their circulators with various electrical connection sockets. **ANTARES**, to help maintenance services with replacement operations, created a system (model registered with utility patent) that involves the application on the base INT terminal block of snap fittings (protection level IP44) of the various connections used by manufacturers.

### TYPE OF CONNECTION (power supply and PWM signal)

Art.code	Snap-fit connections sockets types
P.170.02	<b>Wilo Standard</b> Molex + FCI Crescent shaped 
P.170.01	<b>Grundfos Standard</b> Super Seal + Mini Super Seal 
P.170.03	<b>Grundfos FCI</b> Super Seal + FCI Crescent shaped 
P.170.00	<b>Common Style</b> Molex - FCI Rectangular 



Base Socket INT

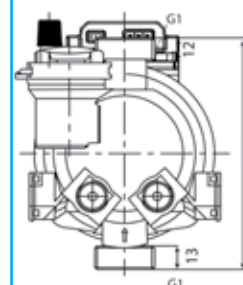
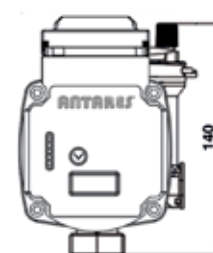
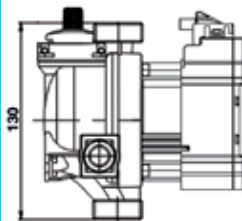
- For separate purchase of the electrical connection plates, see Art. 170 - on page 24 (F)
- For the purchase of the connection cable - see page 24 (F)

## Plastic-body normalized connections: H 130 - Ø 1" - Compatible with WIL0 type Ku - Grundfos type Cacao



Price  
£ 64.45

Art. P.062.98

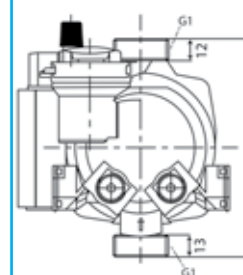
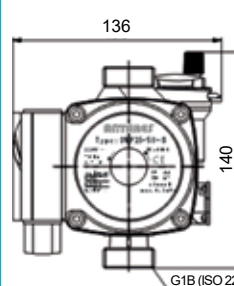
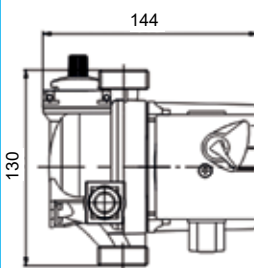


### Modulating with PWM control



Price  
£ 37.95

Art. P.062.63



### Non-modulating

**Art. P.062** - ANTARES circulating pump with air separator and automatic deaerator. Compatible with Wilo type Ku and GRUNDFOS type cacao.

Connections Ø: 1" M. Height of connections: 130. – 230 V – 50 Hz – For performance curves, please see Art. P.110 on page 8 (F).

Art. code	Type of efficiency	Head and Flow rate	Electrical connection included	Compatible	Price £/Quantity ≥	
					1	10
P.062.84	Modulating with PWM	8 mt mc/h 4.1	Base Wilo INT	Various brands	63.85	60.65
P.062.81	Modulating with PWM	8 mt mc/h 4.1	Grundfos Standard P.170.01	Various brands	67.85	64.45
P.062.82	Modulating with PWM	8 mt mc/h 4.1	Wilo Standard P.170.02	Various brands	67.85	64.45
P.062.98	Modulating with PWM	8 mt mc/h 4.1	Common Style P.170.00	Various brands	67.85	64.45
P.062.63	Non-modulating, while supplies last	8 mt mc/h 3.8	Cable gland	Various brands	39.42	37.95

For the connection cables, see Art. P.17X and P.19X on page 24 (F).

## Compatible ARISTON MTS - WILO MTSL - TACO - Plastic bodies

# NEW! PRICE £ 63.27

COMPATIBLE ARISTON - TACO  
DC 325 VDC WITH PWM.

325 Vdc

PWM →



4-year warranty

Art. P.031.66

Art. P.031.66 - ANTARES circulating pump with plastic body with air separator and automatic air vent, DC 325 Vdc with PWM, compatible for ARISTON boilers - with connection cables.

Compatible Ariston reference codes: 65116908-03 - 65116908 - Compatible TACO ES 2PK/53-9A-C - 325 VDC.

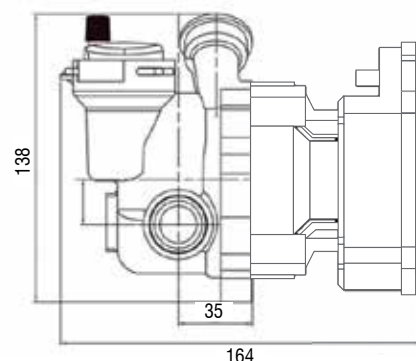
Quantity ≥	1	5
Price £	66.60	63.27

Compatible, interchangeable  
ARISTON - TACO 325 Vdc with PWM



For boilers Alteas One NET, Cares Premium, Cares S., Cares X, Clas One, Clas X, Genus One.  
Ref. 65116908-03

Dimensions

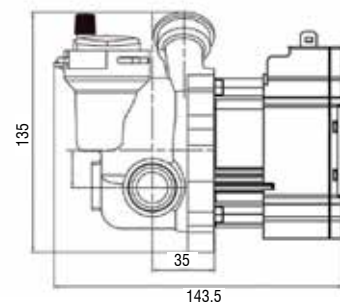
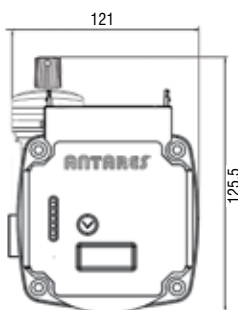


## Compatible SAUNIER DUVAL - ARISTON MTS - CHAFFOTEAUX - WILO MTSL - TACO



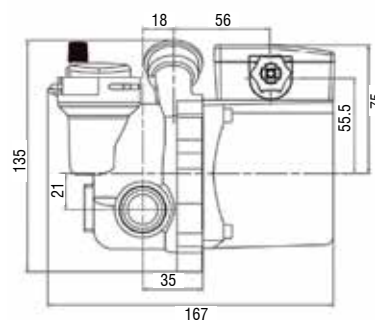
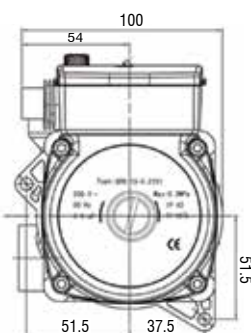
Art. P.031.84

Modulating with PWM control



Art. P.031.60

Non-modulating



Art. P.031 - ANTARES circulating pump with air separator and automatic deaerator. Mixed-plastic body. Compatible Saunier Duval, Ariston MTS, Chaffoteaux, Wilo MTSL, TACO.

For performance curves, please see Art. P.110 on page 8 (F) - 230 V 50 Hz.

Art. code	Type of efficiency	Head and Flow rate	Electrical connection included	Compatible	Price £/Quantity ≥	
					1	5
P.031.84	Modulating with PWM	8 mt mc/h 4.1	Base Wilo INT	Saunier Duval, Ariston MTS, Chaffoteaux and various brands	58.65	55.71
P.031.82	Modulating with PWM	8 mt mc/h 4.1	Wilo Standard P170.02	Saunier Duval, Ariston MTS, Chaffoteaux and various brands	63.87	60.67
P.031.60	Non-modulating, while supplies last	6 mt mc/h 3.8	Cable gland	Saunier Duval, Ariston MTS, Chaffoteaux and various brands	39.87	37.87

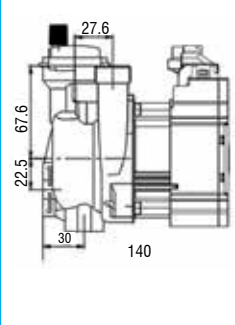
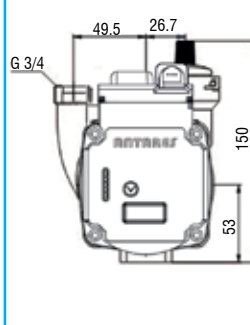
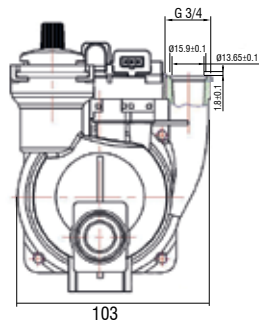
For the connection cables, see Art. P.17X and P.19X on page 24 (F).

## Compatible: WILO NFSL12/6 - ARISTON MTS, ARCA, BIASI, SAVIO and others



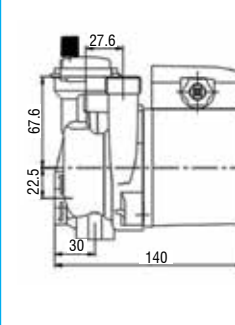
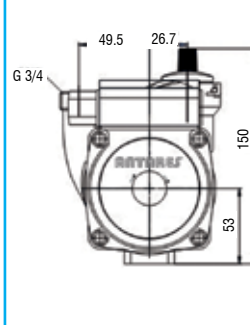
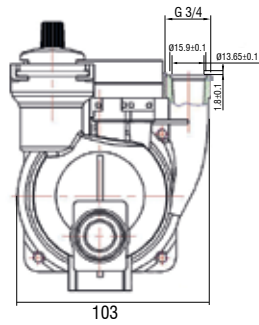
Art. P.030.82

**Modulating with PWM control**



Art. P.030.60

**Non-modulating**



**Art. P030 - ANTARES circulating pump with air separator and automatic deaerator. Mixed-plastic body. Compatible Wilo NFSL 13/6 Ariston MTS, ARCA, BIASI, SAVIO, and others.**

For performance curves, please see Art. P.110 on page 8 (F) - 230 V 50 Hz.

Art. code	Efficiency type	Head and flow rate	Electrical connection included	Compatible	Price £/Quantity ≥	
					1	5
P030.84	Modulating with PWM	8 mt mc/h 4.1	Base Wilo INT	Ariston MTS Arca, Biasi, Savio and various brands	59.85	56.85
P030.82	Modulating with PWM	8 mt mc/h 4.1	Wilo Standard P.170.02	Ariston MTS Arca, Biasi, Savio and various brands	63.87	60.67
P030.60	Non-modulating, while supplies last	6 mt mc/h 3.8	Cable gland	Ariston MTS Arca, Biasi, Savio and various brands	39.85	38.53

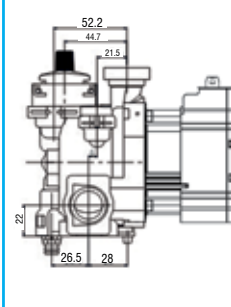
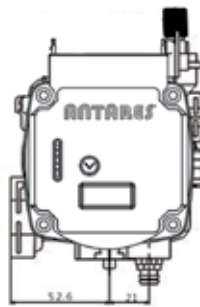
For the connection cables, see Art. P.17X and P.19X on page 24 (F).

## Compatible: WILO FRSL15/6 - FERROLI: Domitech, Domiproject, Divatop and others



Art. P.032.84

**Modulating with PWM control**



For product information, you can send us messages and photos via **WhatsApp**.

**+44 1227 458 684**

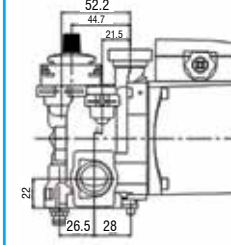
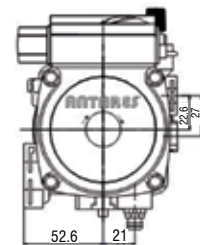
We do not provide product information over the phone. Checking spare part compatibility is a free service to assist the customer with their purchase. We accept no responsibility if the indicated product does not match.



**Price  
£ 37.85**

Art. P.032.60

**Non-modulating**



**FREE DELIVERY**  
for orders over **680 £**



**Art. P032 - Mixed-plastic body circulating pump with incorporated automatic deaerator. Compatible Wilo FRSL 15/6 - FERROLI: Domitech, Domiproject, Divatop and others.**

For performance curves, please see Art. P.110 on page 8 (F) - 230 V 50 Hz.

Art. code	Efficiency type	Head and flow rate	Electrical connection included	Compatible	Price £/Quantity ≥	
					1	5
P032.84	Modulating with PWM	8 mt mc/h 4.1	Base Wilo INT	FERROLI and Various brands	58.65	55.71
P032.82	Modulating with PWM	8 mt mc/h 4.1	Wilo Standard P.170.02	FERROLI and Various brands	63.87	60.67
P032.60	Non-modulating, while supplies last	6 mt mc/h 3.8	Cable gland	FERROLI and Various brands	39.85	37.85

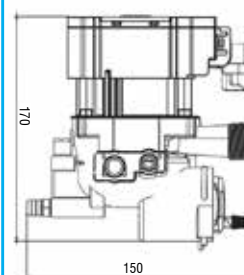
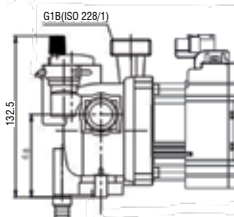
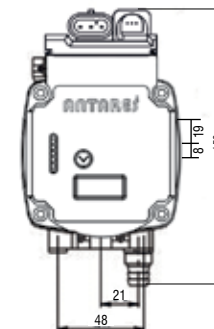
For the connection cables, see Art. P.17X and P.19X on page 24 (F).

## Compatible: GRUNDFOS CAOD AZJ - WILO KSL 15/6 - VAILLANT, VIESSMANN and others



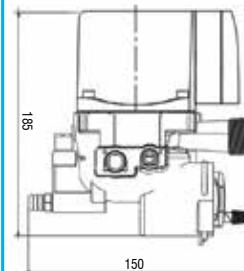
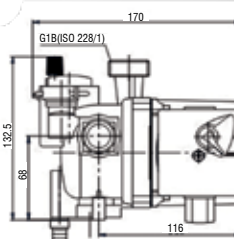
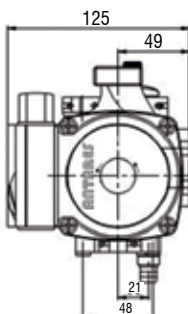
Art. P.034.83

**Modulating with PWM control**



Art. P.034.60

**Non-modulating**



**Art. P.034 - Mixed-plastic body circulating pump with incorporated automatic deaerator. Compatible GRUNDFOS CAOD Azj – WILO KSL 15/6 – VAILLANT, VIESSMAN and others.**

1" M connections – Connection height: 130 mm – Power supply: 230 V – 50 Hz. For performance curves, see Art. P.110 on page 8 (F).

Art. code	Type of efficiency	Head and Flow rate	Electrical connection included	Compatible	Price £/Quantity ≥	
					1	5
P034.84	Modulating with PWM	8 mt mc/h 4.1	Base Wilo INT	VAILLANT, VIESSMANN and Various brands	59.85	56.85
P034.82	Modulating with PWM	8 mt mc/h 4.1	Wilo Standard P.170.02	VAILLANT, VIESSMANN and Various brands	62.60	59.47
P034.83	Modulating with PWM	8 mt mc/h 4.1	Grundfos FCI P.170.03	VAILLANT, VIESSMANN and Various brands	62.60	59.47
P034.60	Non-modulating, while supplies last	6 mt mc/h 3.8	Cable gland	VAILLANT, VIESSMANN and Various brands	39.85	38.53

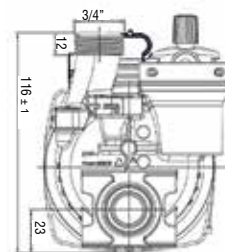
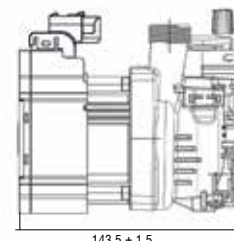
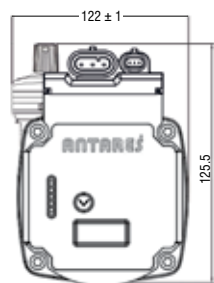
For the connection cables, see Art. P.17X and P.19X on page 24 (F).

## Compatible: GRUNDFOS CESA02 - JUNKERS BOSCH - DE DIETRICH and others



Art. P.036.81

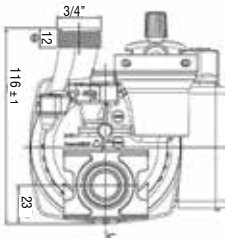
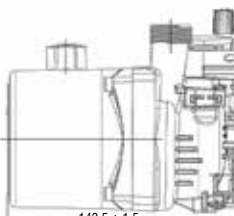
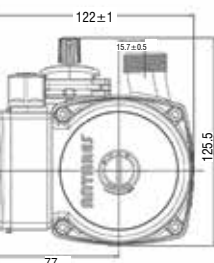
**Modulating with PWM control**



Price  
£ 37.64

Art. P.036.00

**Non-modulating**



**Art. P.036 - Mixed-plastic body circulating pump with incorporated automatic deaerator. Compatible GRUNDFOS CESA02 – JUNKERS BOSCH – DE DIETRICH and others.**

For performance curves, please see Art. P.110 on page 8 (F) - 230 V 50 Hz.

Art. code	Type of efficiency	Head and Flow rate	Electrical connection included	Compatible	Price £/Quantity ≥	
					1	5
P036.84	Modulating with PWM	8 mt mc/h 4.1	Base Wilo INT	Junkers Bosch, De Dietrich e Various brands	61.25	58.18
P036.81	Modulating with PWM	8 mt mc/h 4.1	Grundfos Standard P.170.01	Junkers Bosch, De Dietrich e Various brands	66.20	62.89
P036.00	Non-modulating, while supplies last	6 mt mc/h 3.8	Cable gland	Junkers Bosch, De Dietrich e Various brands	39.85	37.64

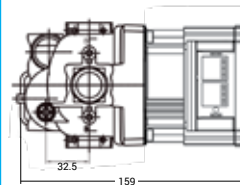
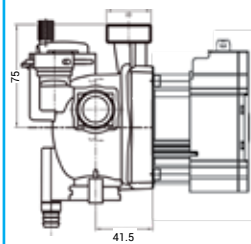
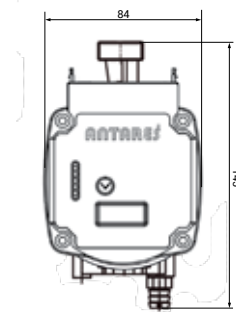
For the connection cables, see Art. P.17X and P.19X on page 24 (F).

## Compatible: GRUNDFOS AOKR - WILO KSL - SIME and others



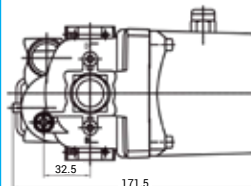
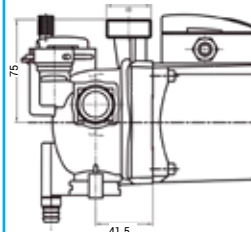
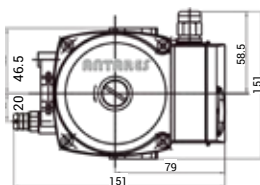
Art. P039.84

**Modulating with PWM control**



Art. P039.00

**Non-modulating**



**Art. P039 – ANTARES circulating pump with air separator and integrated automatic air deaerator. Mixed-plastic body. Compatible GRUNDFOS AOKR – WILO KSL - SIME and others.**

For performance curves, please see Art. P.110 on page 8 (F) - 230 V 50 Hz.

Art. code	Type of efficiency	Head and Flow rate	Electrical connection included	Compatible	Price £/Quantity ≥	
					1	5
P039.84	Modulating with PWM	8 mt mc/h 4.1	Base Wilo INT	SIME and Various brands	59.85	56.85
P039.82	Modulating with PWM	8 mt mc/h 4.1	Wilo Standard P.170.02	SIME and Various brands	63.87	60.67
P039.81	Modulating with PWM	8 mt mc/h 4.1	Grundfos Standard P.170.01	SIME and Various brands	63.87	60.67
P039.83	Modulating with PWM	8 mt mc/h 4.1	Grundfos FCI P.170.03	SIME and Various brands	63.87	60.67
P039.00	Non-modulating, while supplies last	6 mt mc/h 3.8	Cable gland	SIME and Various brands	39.85	38.88

For the connection cables, see Art. P.17X and P.19X on page 24 (F).

## Compatible: ARCA Caldaie and others



Art. P040.84

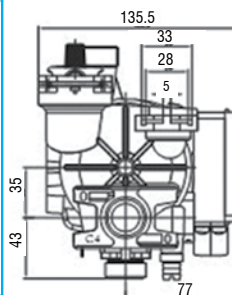
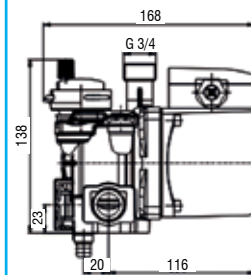
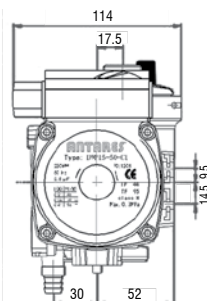
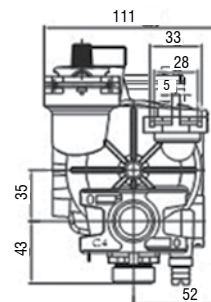
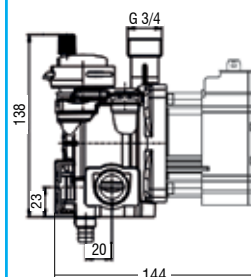
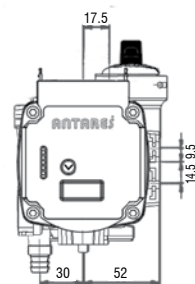
**Modulating with PWM control**

Price  
£ 41.02



Art. P040.00

**Non-modulating**



**Art. P040 - Circulating with mixed plastic body with built-in automatic deaerator. ARCA Boilers and others compatible.**

For performance curves, please see Art. P.110 on page 8 (F) - 230 V 50 Hz.

Art. code	Type of efficiency	Head and Flow rate	Electrical connection included	Compatible	Price £/Quantity ≥	
					1	5
P040.84	Modulating with PWM	8 mt mc/h 4.1	Base Wilo INT	ARCA and Various brands	64.60	61.37
P040.00	Non-modulating, while supplies last	6 mt mc/h 4.1	Cable gland	ARCA and Various brands	43.18	41.02

For the connection cables, see Art. P.17X and P.19X on page 24 (F).




## Electrical connections for circulating pumps

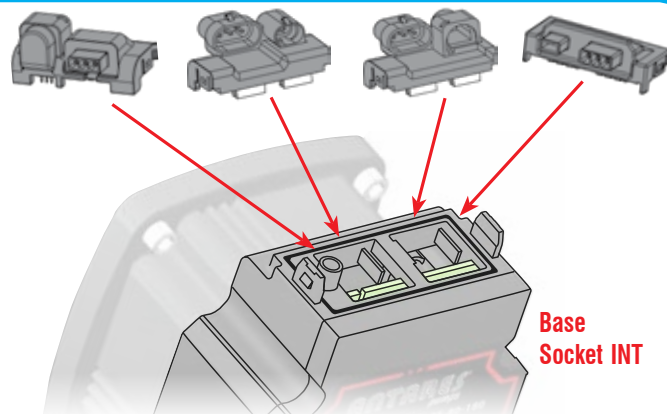
### Snap-fit sockets for electrical connections

**N.B.**

Many boilers manufacturers equip their circulators with various electrical connection sockets. **ANTARES**, to help maintenance services with replacement operations, created a system (**model registered with utility patent**) that involves the application on the base INT terminal block of snap fittings (protection level IP44) of the various connections used by manufacturers.

Art. P.170 - Snap-fit connection socket on INT terminal block for the defined types of connections: PWM signal power supply.

Item code	Snap-fit connections sockets types	Price £
P.170.02	<b>Wilco Standard</b> Molex + FCI Crescent shaped 	
P.170.01	<b>Grundfos Standard</b> Super Seal + Mini Super Seal 	
P.170.03	<b>Grundfos FCI</b> Super Seal + FCI Crescent shaped 	
P.170.00	<b>Common Style</b> Molex - FCI Rectangular 	



## Connection cable for circulators

### Electric supply cables

**Super Seal**



Art. P.175.00

**Molex Wilo**



Art. P.177.00

**Molex Common Style**



Art. P.178.00

Art. P.175.00 - Electric supply cable with right angle connector Super Seal type

Length: 70 cm – Compatible Grundfos Series PM3 and Wilo Para Maxo

Price £ 2.45

Art. P.177.00 - Electric supply cable with right angle connector MOLEX Wilo, Grundfos type.

Length: 70 cm – Compatible with Wilo und Grundfos.

Price £ 2.45

Art. P.178 - Electric supply cable with right angle connector Molex Common Style type.

Item code	Length	Price £
P.178.07	mt 0.7	1.45
P.178.30	mt 3	6.85

### PWM speed control cables

**Mini Super Seal**



Art. P.191.00

**FCI Crescent**



Art. P.193.00

**FCI Rectangular**



Art. P.195.00

Art. P.191.00 - PWM signal cable with right angle connector Mini Super Seal type.

Length: 50 cm – Compatible with Grundfos.

Price £ 2.45

Art. P.193.00 - PWM signal cable with right angle connector FCI crescent-shaped type.

Length: 50 cm – Compatible with Grundfos, Wilo.

Price £ 2.45

Art. P.195.00 - PWM signal cable with right angle connector FCI rectangular-shaped type.

Length: 50 cm – Compatible with ANTARES.

Price £ 1.45

### Adapter for circulating pumps connectors



Super Seal  
Molex Common Style

Art. P.160.01



Molex Wilo  
Molex Common Style

Art. P.161.01



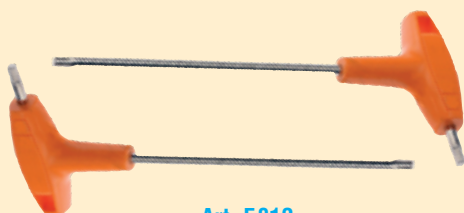
FCI Rectangular  
Mini Super Seal

Art. P.163.01



FCI Rectangular  
FCI Crescent shaped

Art. P.164



Art. F.812

Art. P.160.01 GRUNDFOS power cable plug adapter for MODULEX circulating socket Art. P.110.

Price £ 2.39

Art. P.161.01 - WILCO power cable plug adapter for MODULEX circulating socket Art. P.110

Price £ 2.39

Art. P.163.01 GRUNDFOS PWM controller cable plug adapter for MODULEX circulating socket Art. P.110.

Price £ 2.39

Art. P.164.01 WILCO PWM controller cable plug adapter for MODULEX circulating socket Art. P.110.

Price £ 2.39

Art. F.812 - "T" handle hex keys

For easier replacement of circulating pumps motors.

Item code	Measures mm.	Price £
F.812.05	4	5.81
F.812.06	5	6.49

# Integrated air separator heads for circulating pumps

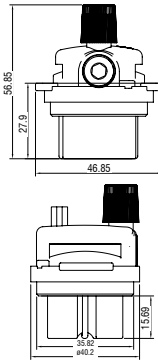
## Bayonet connection - NEW

COMPATIBLE WILO  
CALEFFI E GRUNDFOS

Price  
£ 2.45



Art. P.087.00



Art. P.087.00 - Head for automatic deaerator with bayonet connection, replacement for circulating pumps with plastic body.

Compatible: Caleffi, Wilo, Grundfos. Reference codes: IMMERGAS: 1027110 - BAXI: 710493600.

Order quantity $\geq$	1	10
Price £	2.85	2.45

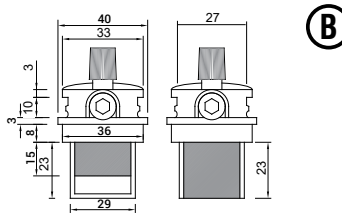
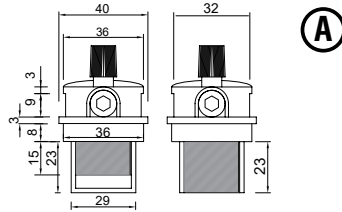
## Fork connection

COMPATIBLE  
CALEFFI E GRUNDFOS

Price  
£ 2.43



Art. P.088



Art. P.088 - Head for automatic air vent valve, replacement for deaerators installed on circulators with fork connection.

Art. code	Drawing	Type	Price £/Quantity $\geq$	
			1	10
P.088.00	A	CALEFFI - GRUNDFOS - WILO	2.63	2.43
P.088.01	B	SHINHOO and other brands	2.85	2.70

Art. P.089.03 - Brass head for automatic air vent valve with threaded connection, replacement for deaerators type CALEFFI - ANTARES and others.

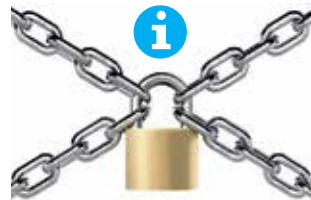
Order quantity $\geq$	1	10
Price £	2.94	2.81

## Threaded connection

Compatible WILO  
GRUNDFOS - CALEFFI



Art. P.089.03



In order to safeguard your profession, **ANTARES** sells exclusively to professionals registered with the Chambers of Commerce.

For assistance in selecting replacement circulators with equivalent performance, **OUR TECHNICAL OFFICE IS AT YOUR DISPOSAL, OR PLEASE CONSULT OUR DOCUMENTATION.**



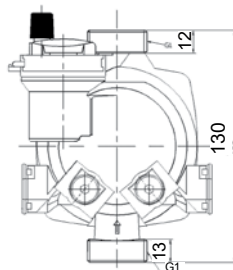
@ uk@antaresint.com

Telephone and WhatsApp  
+44 1227 458 684

## Circulating pump bodies



Art. P.151.68



Art. P.151.68 - Spare plastic composite body for circulating pump with automatic deaerator. Height: 130 mm - 1" M Couplings.

Compatible for anti-clockwise rotation with GRUNDFOS models type Cacao. Coupled to motors with impeller art. P.084.xx, P.074.xx or P.121.80 can be a complete circulating pump. Distance between fixing holes 68 mm. Complete with 2 gaskets for the couplings.

Price £ 9.18

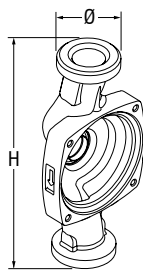
Art. P.153 - Spare cast iron body for circulating pump with counter-clockwise rotation (CCW).

Compatible with GRUNDFOS, ANTARES and other brands with 68 mm mounting hole spacing. Coupled to motors with impeller Art. P.084.xx, P.074.xx, P.121.80 can be a complete circulating pump. Complete with 2 gaskets for the connections.

Art. code	$\varnothing$	H	Price £
P.153.10	1"	130	5.65
P.153.12	1 1/2"	130	6.42
P.153.20	1 1/2"	180	6.52



Art. P.153



Art. P.155.08

Art. P.155.08 - Kit for coupling the circulating pump housing (P.151.68 and P.153.xx) to the engine.

Composed of 1 NBR rubber gasket and 4 bolts for fastening.

Price £ 2.32

## Insulating shells for circulating pumps



Art. P070

Art. P070 – Black polystyrene insulating shell for thermal insulation of circulator pump bodies

Art. code	H	Suitable for the series	Price £
P070.13	130	P110 - P112 - P023 - P065	3.38
P070.24	130	P020 - P064	3.15
P070.18	180	P110 - P112 - P023	3.38
P070.20	180	P066 - P076	2.55
P070.28	180	P064	3.15
P070.30	180	P078.20 - P078.22	1.90

## Valves and fittings for circulating pumps



Art. P001

Art. P001 - Pair of nozzles for circulating pumps, composed by spindles, coils and seals.

Swivel F.	1" F.	1" F.	1 1/2" F.	1 1/2" F.	1 1/2" F.	2" F.
Codule	1/2" F.	3/4" M.	1" M.	1" F.	1 1/4" M.	1 1/4" F.
Material	Brass	Brass	Brass	Steel	Steel	Steel
Art. code	P001.52	P001.54	P001.11	P001.10	P001.14	P001.24
Quantity ≥	1	10	1	10	1	10
Price £	4.03	3.74	4.06	3.77	7.75	7.20
					2.36	2.20
					2.36	2.19
					4.46	4.15



Art. P002

Art. P002 - Brass nozzle with nylon non-return valve positioned in both directions and seal to ensure a single flow direction to prevent possible contamination. Complete with seal.

Nut	3/4" F.	1" F.	1 1/4" F.	1 1/2" F.	1 1/2" F.
Codule	1/2" M.	3/4" M.	1" M.	1" M.	1 1/4" M.
Art. code	P002.02	P002.03	P002.30	P002.10	P002.14
Price £	4.96	5.22	9.15	10.83	10.16

## Closing valves for replacement circulating pumps



Art. E.430



Art. E.432

Art. E.430 - Brass ball valve with threaded connection and screwdriver-actuated control for pump.

Connections Ø	1 1/2" F. swivel x 1" M.	1 1/2" F. swivel x 1" F.	1 1/2" F. swivel x 1 1/2" M.	1 1/2" F. swivel for copper tube Ø 22	1 1/2" F. swivel for copper tube Ø 28
Art. code	E.430.10	E.430.00	E.430.12	E.430.22	E.430.28
Quantity ≥	1	10	1	10	1
Price £	7.03	6.55	7.90	7.36	12.52
					11.77
					7.54
					7.09
					8.55
					8.04

Art. E.432 - Brass ball valve with connection thread for pump.

Type	Without check valve			With check valve		
Connections	1" F. x 1 1/2" F. Swivel		1 1/2" M. x 1 1/2" F. Swivel	1" F. x 1 1/2" F. Swivel		
Art. code	E.432.10		E.432.12	E.432.90		
Quantity ≥	1	10	50	1	10	50
Price £	11.86	11.49	10.80	14.98	14.50	13.64
						12.88
						12.48
						11.73

## Adapter for Ø and H for circulating pump

From 130 to 180 mm. Height



Art. P004.12

From 130 to 180 mm. From 1" to 1 1/2" M. From 1" to 1 1/4" M.



Art. P005

Art. P004.12 - Extension in brass 1 1/2" M.F to adapt the height of the circulating pump from 130 mm. to 180 mm.

Price £ 10.61

Art. P005 - Pair of extension and increase diameter fittings to adapt the connection diameter of circulating pumps and height from 130 to 180 mm.

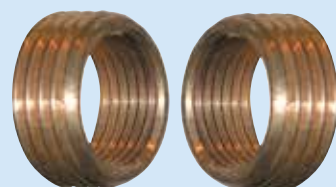
Art. code	Increase and Ø	Price £
P005.48	From 1" M. to 1 1/4" M.	17.34
P005.18	From 1" M. to 1 1/2" M.	16.35

Art. P008 - Pair of thread increase ring fittings for replacement of circulating pumps with smaller fittings, complete with gaskets.

Diameter Ø	1 1/4" M. x 1" F.	1 1/2" M. x 1" F.	1 1/2" M. x 1 1/4" F.	2" M. x 1" F.	2" M. x 1 1/2" F.
Art. code	P008.14	P008.12	P008.24	P008.21	P008.20
Price £	7.89	6.07	6.47	20.23	11.61



For the complete range of valves and accessories, see page 99 (V)



Art. P008

# Thermostats - Components for zone installations - Thermoregulation

## Room thermostats



Price  
£ 6.61



Art. T.001



Price  
£ 21.54



Art. T.002



Price  
£ 9.03



Art. T.003.09

**Art. T.001** Electromechanical ambient thermostat. 10°C÷30°C scale, 3 contacts in 10A switching.

Art. code	Features	Price £/Quantity ≥	
		1	10
T.001.57	-	6.70	6.61
T.001.51	Indicator lamp and switch	7.61	7.37

**Art.T.002** - Digital electronic room thermostat with display of the ambient temperature. In flat box of elegant and refined line.

Setting scale 5°C 35°C - Temperature display scale: 0°C 45°C. Switching contacts 5A. High sensitivity.

Art. code	Power supply thermostat	Features	Price £/Quantity ≥	
			1	10
T.002.02	230 V AC or 24 V AC	On-off switch	22.24	21.54
T.002.92	Batteries 2 x "AAA"	On-off switch	23.14	22.41
T.002.93	Batteries 2 x "AAA"	Switch Summer - Off - Winter	24.35	23.14
T.002.03	230 V AC o 24 V AC	Switch Summer - Off - Winter	23.41	22.24

**Art. T.003.09** - Electronic room thermostat in a slim, elegantly designed flat casing, equipped with an ON/OFF switch.

Setting scale: 5°C 35°C. Power supply 230 V AC - 50Hz. Relay: 3(1) A SPDT.

Price £ 9.03



**Explosion-proof**



Art. T.005.00

**Art. T.005 .00** - Explosion-proof ambient thermostat in sealed box with spiral bulb, for explosive and high humidity environments.

Scale: 0°C 40°C - Switching contacts 10A - Protection IP 55.

Price £ 21.53



**N.B.**  
For thermostat towel heaters see pag 46 (W).

## Thermostat with presence detector and temperature probe for radiant systems

**NEW!**



Art. T.008.00

**Art. T.008.00** - Digital room thermostat with presence detector in the room and temperature limiting probe for radiant systems.

Power supply: 230 Vac - Contact: 16 Amps.

The presence detector can be excluded position OFF. Mounting to box 72 x 72 Art. T.450.60 Allows the lowering of the temperature or the exclusion of the system if it does not detect the presence of people in the room for a time adjustable up to two hours. Complete with temperature limiting probe (adjustable) of the floor. Selection and adjustment of two ambient temperatures: Comfort - Economy: 5-45 °C. with frost protection function.

In AUTO mode, when it detects the presence of a person in the room with infrared (PIR), it selects the temperature Comfort, if for a determinable time (from 5 min. to 2 hours) no longer senses the presence of people, it selects the temperature Economy. When it senses the presence of people in the room, it sets again with the temperature Comfort.

Equipped with limit temperature probe for the heating system piping, to limit excessive temperature of radiant panels in case of malfunction of the unit of lowering and mixing the temperature of the boiler. Adjustable radiant panel limit temperature: 20-45°C.

Price £ 49.30

# Chronothermostats



Price  
£ 21.35



Art. T.424.99



Price  
£ 27.85



Art. T.006.04

**Art. T.424.99 – Electronic digital “MINITRON 99” chronothermostat with weekly programming, in refined and elegant design. With room temperature and clock display.**

Advanced technology design, allows for the programming of different temperatures for every day of the week and the weekends. Temperature control range: 5°C ÷ 35°C. Temperature display range: 0°C ÷ 40 °C. Switch contact (NC-COM-NO). Resistance load: 5°. Equipped with switch: Automatic – Manual – Economy temperature. With antifreeze device. Battery powered: 2x“AAA” (not included).

Quantity ≥	1	5
Price £	21.94	21.35

**Art. T.006.04 – Digital chronothermostat with weekly programming, in refined and modern design. With temperature and clock display.**

Allows for weekly programming of room temperature. With two adjustable temperature levels. The wide LCD display makes programming easy and helps with the daily setting of the two temperature level, making it especially suited for the elderly. Switch contacts (SPDT) 16° - 250 V. Battery powered

Quantity ≥	1	5
Price £	30.20	27.85

**Art. T.007.24 – Electronic programmable chronothermostat “ALBATROS.”**

Combines mechanical programming clock and 2-temperature level (adjustable and selectable) electronic thermostat. With daily programming easy and helps with the daily setting of the two temperature level, making it especially suited for the elderly. Switch contacts (SPDT) 16° - 250 V. Battery powered

Quantity ≥	1	5
Price £	39.84	36.74

**Art. T.015.02 - “DUOTRON” digital chronothermostat with double weekly programming, independent for the management of the heating system and domestic hot water supply. With room temperature and clock display.**

Allows for room temperature programming for every day of the week. Temperature control range: 5°C ÷ 32 °C. Equipped with switch: Automatic – Manual – Reduced temperature. With antifreeze device. Allows for independent switching on and off of domestic hot water supply. Power: 230 Vac – 16 A/250V. Hysteresis: 0.5 °C. Time resolution: 1 minute. Programming time resolution: 10 minutes.

Quantity ≥	1	5
Price £	32.60	30.96

**Art. T.016.24 – Electronic daily chronothermostat with 60-minutes programming through up-anddown linear microswitch. Adjustable temperature reduction for range between 2°C and 10°C.**

Battery powered. Complete with 4 functions selector: off with antifreeze function, automatic, manual with comfort temperature, manual with reduced temperature. Switch contacts

Price £ 37.03



Price  
£ 36.74



Art. T.007.24

Two channels:  
- Heating  
- Hot water

Price  
£ 30.96



Art. T.015.02



Price  
£ 37.03



Art. T.016.24

## Touchscreen chronothermostat



Price  
£ 19.75

Art. T.460.00



Art. T.460.00 – Digital chronothermostat with touchscreen display. Power: 230 Vac. Commuting contacts SPDT 5/A. Allows for the programming of various temperature in 24h, every day of the week. Comes with wide, backlit touchscreen display.

Touchscreen switch: summer-winter. Antifreeze function.  
Temperature control range: 0°-35°C. Room temperature display.

Price £ 19.75

## For radiant systems with floor probe



Price  
£ 31.87

Art. T.440



Art. T.440 – INTRON digital room chronothermostat, touchscreen, embedded, with daily and weekly programming. Allows for 4 temperature variation every day of the week. Complete with outside temperature probe (NTC 10 K) for underfloor heating system, to limit and control with a set range the maximum floor temperature.

With removable 3 mt. probe, to be inserted into a floor well. Please see our art. R.148.10 page 40 (F). Power: 230 Vac – Touchscreen backlit display.

Outgoing ON/OFF contact: 16 A.

Room temperature control range: 5° - 40° C.

Room and programming temperature display.

Anti-freeze and stop function. Probe temperature control: 20° - 40°C, pre-set at 30°C. Embedded in box 108 x 74 (503 E).

Art. code	Type	Price £/Quantity ≥	
		1	5
T.440.23	-	33.51	31.87
T.440.53	WiFi	43.79	41.60

## Touchscreen Wi-Fi chronothermostat

Compatibel with  
Amazon Alexa

Compatibel with  
Google Home

Price  
£ 44.82



App-controlled

Voice control

High energy efficiency

Fire-proof material

WIFI

Art. T.425.00

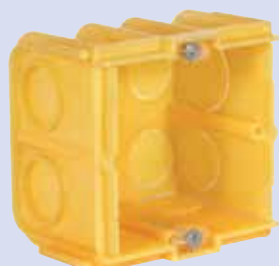


Art. T.425.00 – Digital Wi-Fi EVOLUTION embedded chronothermostat. Daily and weekly programming.

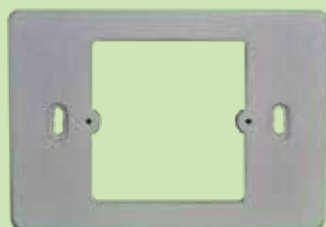
Clean contact outlet max. 5°. Power 230 Vac. Can be controlled and programmed through smartphone and vocal control, supported by Google Home and/or Amazon Alexa. Allows for temperature programming in 6 time slots during the day, working days, Saturdays and Sundays. Temperature control range 5-35°C. Embedded in box 72 x 72 (502 E) (Please see art. T.450.60).

Price £ 44.82

## Flush mounting boxes and thermostat adapter plates



Art. T.450.60



Art. T.453

Art. T.450.60 – Flush mounting boxes 72 x 72 x 50 type 502, wall-fixing with screws and distance 60.

Suitable for embedded thermostats.

Price £ 2.61

Art. 453 – Adjustment plate for flush mounting boxes, from 504 E/503 E to 502 E (dimensions 72 x 72) .

Art. code	For type	Price £
T.453.23	503 E	4.41
T.453.53	504 E	6.04

## Thermostats for fan coil units FCU



Price  
£ 26.92

Art. T.009.01



Art. T.009.01 - Digital room thermostat for fan coil units with room temperature digital display and fan speed control: Maximum, Medium, Minimum. Switch: SUMMER – OFF – WINTER.

Temp. range: 5° ÷ 35°C. display range: 0° ÷ 45°C. Contacts: 5A. High sensitivity.

Quantity ≥	1	10
Price £	28.98	26.92



With room presence detector PIR

Price  
£ 30.53



Art. T.479.00



Art. T.479.00 - Digital room thermostat with "MOTIONFAN" display for fan coil units FCU with room presence detector and fan speed control ( Low - Medium - High). Wall mounted – Power 230 Vac – 6/A.

Equipped with infra-red PIR, allows automatic temperature lowering or system's stop when it does not detect people in the room. Selection and adjustment of two room temperatures: Comfort – Economy: 5-45°C.

with anti-freeze function. Presence detector can be excluded, OFF position. In AUTO mode, when the infra-red (PIR) detects the presence of someone in the room, it selects Comfort temperature. If it doesn't detect anybody for an hour, it automatically selects Economy temperature; when it detects someone again, it goes back to Comfort. If nobody is detected for over 8 hours, the systems turns itself off and in Stand-by mode. The display shows the selected temperature and the room temperature, and changes colour from blue to red when room temperature rises.

Price £ 30.53

## Fancoils chronothermostats

Automatic selection of speed based on Δt



Art. T.475.70 - T.475.40



Art. T.475.80 - T.475.50

Art. T.475 – Digital touchscreen "FANTRON" room chronothermostat, with daily and weekly programming. Allows for 4 temperature variations for every day of the week.

If embedded, in box 108 x 74 mm (503 E). Power: 230 Vac. Backlit display. With summer-winter switch. Room temperature control range: 5° - 40°. Room temperature and programming display. If in AUTO mode, it allows to automatically change the fancoil speed according to room temperature and temperature set on the following version:

**Version A:** 3 fancoil speed variation: Min. - Med. - Max.

**Version B:** for suitable fancoils, modulating variation of No. of fan rotations with signal: 0 – 10 or 4-20 mA.

Art. code	Model		Price £/Quantity ≥	
	Fixing	Version	1	10
T.475.40	Wall-mounted	A	29.19	27.76
T.475.50	Embedded 502E box: 72x72 mm	A	33.46	31.82
T.475.70	Wall-mounted	B	27.79	26.43
T.475.80	Embedded on 502E box: 72x72 mm	B	27.79	26.43



WIFI

Price  
£ 43.06

Compatible with Amazon Alexa

Compatible with Google home



Art. T.476.00

App controlled

Voice control

Highenergy efficiency

Fire-proof material

Art. T.476.00 - EVOLUTION FCU recessed WiFi digital programmable thermostat for fan coil units. Daily and weekly programming.

Speed controller: Low, Medium, High. Switch Summer – Winter. Power 230 Vac. Can be controlled and selected through smartphones and voice control, supported by Google Home and/or Amazon Alexa. Allows for temperature programming in 6 time slots during the day, working days, Saturdays and Sundays. Temperature control range 5-35°C. Embedded in box 72x72 (502 E). See art. T.450.60 on page 29 (F).

Price £ 43.06

## How to order from us

E-mail



uk@antaresint.com

Telephone



+44 1227 458 684

Website



www.antaresint.com

Whatsapp



+44 1227 458 684

## R.F. wireless thermostats and chronothermostats



Art. T.225.00

**Art. T.225.00 – RF Room Thermostat + RF Receiver for heating systems with wireless transmission of the control signal via radio frequency. Maximum signal range: 200 m in open space**

The thermostat transmitter is powered by 2× AA batteries, while the receiver (230 VAC) can wirelessly control a boiler, a motorised valve, or any electrical device. When used together, the transmitter thermostat and receiver can manage the ON/OFF switching of multiple zone valves or other electrical devices. The digital LCD display shows both the ambient temperature and the setpoint. Wall-mounted installation with white enclosure.

Order quantity ≥	1	10	50
Price £	30.19	28.68	27.78



Art. T.230.03

**Art. T.230.03 - RF digital room SLIMTRON type chronothermostat, wireless and touchscreen, with radio-frequency control signals transmission to its appropriate receiver (see next item). Battery powered 2 x AA with daily and weekly temperature programming. Wall-mounted on a slim, beige box 111 x 82 x 23, in refined and elegant design. Maximum signal distance: 200 mt. in open space.**

Compatible with single-channel RF receivers Art T.235 and multi-channel Art. T.241.08. Transmission frequency: 433 MHz. Allows for the programming of different room temperatures every day of the week, 24h. Wide touchscreen backlit LCD display. With antifreeze function and programming stop.

Order quantity ≥	1	10	50
Price £	46.81	45.34	43.12



Art. T.235.00

**Art. T.235.00 - Single-channel RF receiver with integrated receiving antenna, compatible with the T.230.03 programmable thermostat. Maximum signal range: 200 m in open space. Wall-mounted installation.**

Reception frequency: 868 MHz. Power supply: 230 VAC. Outputs: 16A control output; 3A pump enable output. Paired with thermostat Art. T.230.03, it can control a boiler, a motorised valve, an actuator, or other electrical devices. It can also be used as an additional channel receiver alongside the 8-channel receiver (Art. T.241.08) to increase the total number of receivers required for the system. Designed for connection to an external temperature probe – optional Art. T.223, (see page 31(F)), or K.360, (see page 99(F)) – for underfloor heating systems, to limit and control the maximum flow pipe temperature at a set value.

Order quantity ≥	1	10
Price £	33.31	32.26



**N.B.**

For thermostats for towel warmers please see page 46 (W).



## Humidistats



Art. T.041.00

### Humidistat with thermostat



Art. T.044.00

**Art. T.041.00 - Room humidistat. Type EH 392.**

For humidity control in air-conditioning systems. Measure range: 30%-90% U.R. Precision: ± 3%. Protection level IP 20.

Price £ 25.86

**Art. T.044.00 - Humidistat and thermostat combined in one device with backlit digital display. Wall mounted – Power: 230 Vac.**

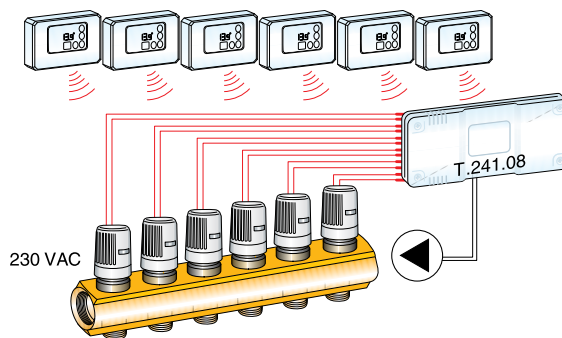
Display: set values and actual values. Humidity control range: 30% U.R. Precision: ± 3%. Temperature control range: 5 - 35 °C Protection level: IP 20

Price £ 27.48

## Multi-channel R.F. receiver for wireless thermostats and chronothermostats



Art. T.241.08



**Art. T.241.80 – Multichannel RF receiver for wireless thermostats T.230.03 signals in plastic boxes with connections for manifold's electrical actuators and with electronic circuit consent for the circulating pump and the boiler. To install next to the manifold, considering that the RF signal reception capacity is within 200 mts open space. The circuit provides an outlet for the pump's (and boiler's) switching on and off when one or more thermostats require heating.**

Up to 4 actuators can be connected together to the same outputs. - RF signal reception range: 200 m in open space - Input voltage: 230 VAC - Actuator output voltage: 230 VAC. Pump output voltage: 230 VAC - Compatible with models T.230.03, **see page 31(F)** - Note: For quantities of channels exceeding 8, add one additional receiver, Art. T.235, **see p. 31 (F)**, for each extra channel.

Per order quantity ≥	1	5	10
Price £	101.64	96.42	93.82



**Note:** set the quantity of RF receiving channels in accordance with the quantity of room thermostats (transmitters). Consider that the signal reception signal in R.F. is 200 mt in open spaces, so, because of the obstructions, a distance of 150 mts is to be considered (the distance may vary).

### Possible connections with:

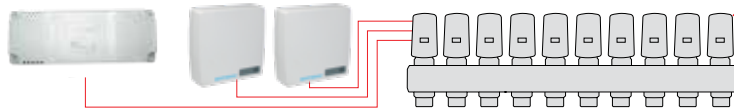
- **9 wireless thermostats:** 1 multi-channel receiver with 8-channels Art. T.241.08 + 1 single-channel receiver Art. T.235
- **11 wireless thermostats:** 1 multi-channel receiver with 8-channels Art. T.241.08 + 3 single-channel receivers Art T.235
- **12 wireless thermostats:** 2 multi-channel receivers with 8 channels (4 remain free)



Art. T.230.03

Art. T.241.08

No. 2 Art. T.235



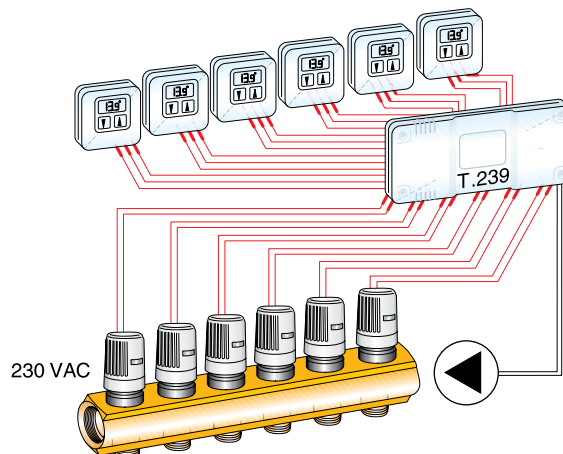
Manifold with zone valves

## Electrical connection boxes

### For wired thermostats and chronothermostats



Art. T.239



**Art. T.239 - Plastic box for the electrical connections of thermostats with wired links to electric actuators (Art. V.058) installed on the manifold, with electronic control circuit for enabling the circulating pump and boiler. All thermostat (or programmable thermostat), actuator, and pump wires must be grouped inside the box, which is to be installed near the manifold. The internal electronic circuit provides an output for switching the circulating pump on and off when one or more thermostats call for heat.**

Up to 4 actuators can be connected together on the same output. - Input voltage: 230 VAC - Actuator output voltage: 230 VAC - Pump output voltage: 230 VAC 4 A. Note: For thermostats and programmable thermostats **see page 27(F)**.

No. of zones	Art. code	Dimensions mm	Price £ per Quantity ≥	
			1	10
8	T.239.08	310 x 110 x 58	60.76	57.57
12	T.239.12	310 x 110 x 58	61.22	58.00

## Electric transformers



Art. T.129

**T.129 – Electric transformer with inlet 230 V and outlet 24 V.**

Power W	25	63
Fixing	-	On DIN rail
Art. code	T.129.25	T.129.50
Price £	38.12	98.82

## Analog and digital immersion thermostats



Art. T.020.00



Art. T.021

**Art. T.020.00 – Immersion thermostat with adjustment handle. Sheath length 100 mm. Range: 0°C ÷ 90°C.**

Switch contacts 10 A. With immersion pocket. Protection level IP 40. Sheath connection 1/2".

Quantity ≥	1	10
Price £	9.95	9.45

**Art. T.021 – Safety immersion thermostat with manual reset sheath.**

Switch contacts 16 A. Sheath length 100 mm. Sheath connection 1/2".

Art. code	Control	Price £
T.021.00	100 °C fix	14.61
T.021.70	40° ÷ 70° C adjustable (also used for underfloor heating systems safety)	29.78



Art. T.022.10



Art. T.025.00

**Art. T.022.10 – Immersion thermostat with sheath and inner temperature control.**

Temperature range: 0°C ÷ 90°C. Switch contacts 10 A. With immersion pocket. Protection level IP 40. Sheath connection 1/2". Sheath length 100 mm.

Quantity ≥	1	10
Price £	8.28	7.68

**Art. T.025.00 – Dual thermostat with operating and safety device, equipped with temperature control knob, manual reset, and immersion sleeve.**

Adjustable thermostat range: 0°C ÷ 90°C. - Fixed scale for safety thermostat: 100°C - Changeover contacts: 10 A.

Quantity ≥	1	10
Price £	19.36	18.33



Art. T.026.02

**Art. T.026.02 – Double immersion thermostat with 2 adjustments sheath with knob.**

Adjustable range: 0°C ÷ 60°C and 30°C ÷ 120°C. Switch contacts. Sheath connection 1/2", sheath length 100 mm.

Quantity ≥	1	10
Price £	18.88	17.88

### Digital



Art. T.115.00

Price  
£ 15.99



**Art. T.115.00 – Electronic thermostat with display with immersion pocket 1/2" M, with temperature display. Temperature control range: 5° - 80°C.**

Immersion pocket length: 50 mm – Power: 230 Vac. Switches: ON – OFF. 10 A – with cold-hot inversion – Protection level IP 40.

Price £ 15.99

## Analog and digital immersion thermostats



Art. T.017.05



Art. T.018.10

### Art. T.017.05 – Contact thermostat with temperature control handle.

Temperature range: 0°C ÷ 90°C. Switch contacts 10°. Complete with fixing springs. Protection level IP 40.

Quantity ≥	1	10
Price £	9.84	9.32

### Art. T.018.10 – Contact thermostat with inner temperature control.

Temperature range: 0°C ÷ 90°C. Switch contacts 10°. Complete with fixing springs. Protection level IP 40.

Quantity ≥	1	10
Price £	8.59	8.14



Art. T.019.70



Art. R.756.02

### Art. T.019.70 – Safety contact thermostat with manual reset and inner temperature adjustment.

Adjustable range: 40°C ÷ 70°C. - Changeover contacts: 10 A. Its use is particularly suitable for underfloor heating system installations. Complete with fixing springs - Protection rating: IP 40.

Quantity ≥	1	10
Price £	16.64	15.75

## Digital



Art. T.116.00

Price  
£ 14.83



### Art.R.756.02 - Thermal grease to increase conductivity.

Price £ 2.66

### Art. T.116.00 – Electronic temperature with touchscreen display, with temperature display. Temperature control range: 5° - 80°C. With spring clamp.

Power: 230 Vac – Switches: ON-OFF – 10 A. With cold-hot inversion. Protection level: IP 40.

Price £ 14.83

## Thermostat for hot air generators



Art. R.151.28

### Art. R.151.28 – Double thermostats for hot air generators with external temperature control knob.

Adjustable temperature range: LIMIT 30°C ÷ 120°C. – FAN 0°C ÷ 60°C. With drilled sheath and joint- Length 250 mm.

Quantity ≥	1	10
Price £	65.65	62.52

## Embedded capillary thermostats



Art. T.023



Art. T.024.10

### Art. T.023 – Embedded capillary thermostats

Switch contacts. SPDT.

Range °C	-35°C ÷ +35°C	0°C ÷ +60°C	0°C ÷ +90°C
Capillary length	1.000 mm.	1.500 mm.	1.000 mm.
Bulb Ø and length	6.5 x 100	6.5 x 100	6.5 x 100
Art. code	T.023.35	T.023.60	T.023.90
Quantity ≥	1   10	1   10	1   10
Price £	8.59   8.14	9.02   8.54	8.20   7.77

### Art. T.024.10 – Capillary thermostat with manual reset.

Adjustable temperature range: 40°C ÷ 70°C. Switch contacts. Capillary length mm. 1500. Diameter and bulb length mm. 6.6 x 73.

Quantity ≥	1	10
Price £	14.44	13.67

## Digital thermostat with probe



Art. T.118.00

Price  
£ 15.16



Art. T.123.00



### Art. T.118.00 – Electronic thermostat with display and probe at a distance, and temperature display. Temperature control range: 5° - 80°C.

Probe length: 1mt – Power: 230 Vac.

Switch: ON/OFF – 10 A – with cold-hot inversion – Protection level IP 40.

Price £ 19.65

### Art. T.123.00 - Digital thermostat with display and temperature readout for panel mounting. Dimensions 77 x 35 mm (front) x 72 mm (depth). Complete with NTC 10K probe, length 2000 mm.

Resolution: 0.1°C. power supply 230 Vac/50Hz. Relay 16(4)A 240 Vac. Temperature range: -40°C ÷ 105°C.

Price £ 54.70

## Bimetal disc thermostats



Horizontal connections



R.198



Vertical connections



### Art. R.198 – Safety microthermostat with golden contacts for boilers at fixed setting and rapid contact opening.

Intervention temperature	130°C	130°C	120°C	120°C	120°C	120°C	110°C	105°C
Connections Faston Mod.	Horizontal thread M. 3 x 0.5	Horizontal 4.8 x 0.8 drilled	Horizontal thread M.3 x 0.5	Horizontal 4.8 x 0.8 drilled	Horizontal 3 x 0.5 drilled	6.3 Vertical drilled	6.3 Vertical drilled	6.3 Vertical drilled
Art. code	R.198.30	R.198.40	R.198.20	R.198.50	R.198.21	R.198.12	R.198.10	R.198.05
Quantity ≥	1   10	1   10	1   10	1   10	1   10	1   10	1   10	1   10
Price £	1.66   1.30	1.66   1.30	1.66   1.30	1.66   1.30	1.66   1.30	1.66   1.30	1.66   1.30	1.66   1.30
Intervention temperature	100°C	95°C	90°C	85°C	85°C	80°C	75°C	63°C
Connections Faston Mod.	6.3 Vertical drilled	6.3 Vertical drilled	Horizontal thread M.3 x 0.5	Horizontal 4 drilled	6.3 Vertical drilled	6.3 Vertical drilled	6.3 Vertical drilled	6.3 Vertical drilled
Art. code	R.198.00	R.198.95	R.198.90	R.198.84	R.198.85	R.198.80	R.198.75	R.198.63
Quantity ≥	1   10	1   10	1   10	1   10	1   10	1   10	1   10	1   10
Price £	1.66   1.30	1.66   1.30	1.66   1.30	1.66   1.30	1.66   1.30	1.66   1.30	1.66   1.30	1.66   1.30



Art. T.030.06



Art. T.030.35  
Art. T.030.40

For pellet stoves



Art. T.033

### Art. T.030 - Bimetal microthermostat complete with fixing spring and fixed setting - 10 A.

Art. code	Type	Setting	Price £
T.030.06	Anti-freeze	Closes at 6°C - Open at 16°C	4.32
T.030.35	Minimum temp. for fan-coil	Closes at 35°C	3.58
T.030.40	Minimum temp. for fan-coil	Closes at 42°C	4.44

### Art. T.033 - Bimetal screw microthermostat 4 mm. With fixed intervention temperature – 10 A.

Art. code	Contacts N.C. setting	Price £
T.033.00	100°C	3.19
T.033.10	110°C	1.78
T.033.20	120°C	1.78

## Mixing valve and servomotors

### Mixing valve with servomotor



Art. E.140

**Art. E.140 – 4-way mixing valve cross-type threaded complete with servo motor opening and closing.**

Power supply: 230 Vac. For technical characteristics of servomotor, please find the characteristics of the servomotor referenced below.

Art. code	Diameter	Valve	Servomotor Type	Price £
E.140.53	3/4"	Brass	T.106.00	58.68
E.140.60	1"	Brass	T.106.00	60.12
E.140.64	1 1/4"	Brass	T.106.00	68.50
E.140.62	1 1/2"	Cast-iron	T.106.00	76.83
E.140.70	2"	Cast-iron	T.109.00	142.99



Art. E.141

**Art. E.141 - 3-way butterfly threaded mixing valve with bidirectional servomotor: opening and closing.**

Power supply: 230 Vac. For technical characteristics of servomotor, please find the characteristics of the servomotor referenced below.

Art. code	Diameter	Valve	Servomotor Type	Price £
E.141.53	3/4"	Brass	T.106.00	65.91
E.141.60	1"	Brass	T.106.00	66.50
E.141.64	1 1/4"	Brass	T.106.00	73.41
E.141.62	1 1/2"	Cast-iron	T.106.00	76.06
E.141.70	2"	Cast-iron	T.109.00	142.34

### Servomotor for mixing valves



Art. T.106

For valves up to Ø 1 1/2"

**Art. T.106 – Bidirectional servomotor for mixing valves. Pair: 10 Nm – Power 230 Vac. Opening and closing time: 90".**

Of adequate power for valves with diameter up to 1 1/2". Rotation angle: 90°. For valve coupling joints see art. T.108.xx below.

Art. code	Model	Price £
T.106.00	Opening and closing	28.45
T.106.10	Modulating: 10 V. or 4-20 mA with output	28.45



With thermoregulator

Art. T.107.00

**Art. T.107.00 - Bidirectional servomotor for mixing valves, complete with modulating thermoregulator for fixed point temperature control. Complete with display with two buttons and temperature probe. Adjustment range: 01-100° C. Pair 10 Nm - Power supply 230 Vac - Opening-closing time: adjustable 60-150". Parameterizable opening and closing direction - Parameterizable heating or cooling mode.**

Of adequate power for valves with diameters up to 1 1/2". Rotation angle: 90°. For valve coupling joints see art. T.108.xx below.

Price £ 39.75

Art. T.108.01

For Valve:  
E.140.03  
E.140.10  
E.140.14  
E.141.11  
E.141.15  
E.143.12  
E.614.12



Art. T.108.02

For Valve:  
E.140.12  
E.141.03  
E.141.10  
E.141.12  
E.141.13  
E.141.14



**Art. T.108 – Servomotor coupling joint art. T.106.xx and T.107.00 with mixing valves.**

Art. code	Type for valves	Price £
T.108.01	E.140.03 - E.140.10 - E.140.14 - E.141.11 E.141.15 E.143.12 - E.614.12	3.57
T.108.02	E.140.12 - E.141.03 - E.141.10 - E.141.12 E.141.13 - E.141.14	6.53

For valves with Ø up to 4"



Art. T.109.00



Art. T.109.40



Art. T.109.00 - Bidirectional servomotor for mixing valves with limit microswitch - 22 Nm - Opening or closing time: 120 " - 230 V. Suitable power for valves up to 4" - DN 100.

See table below for corresponding valve connections.

Quantity ≥	1	5
Price £	48,47	46,58

Art. T.109.40 - Bidirectional servomotor for mixing valves with limit microswitch - 22 Nm - Opening or closing time: 120 " - 230 V. Suitable power for valves up to 4" - DN 100. With moving bracket to allow installation on valves with insulation or where coupling with offset valve is necessary. Offset mm: 40. Necessary for installation on valves Art.E.142.70 and Art.E.142.72.

Complete with valve joint: Art. E.140 and Art.E.141.

Quantity ≥	1	5
Price £	75,64	72,70

Coupling joints servomotor T.109.XX

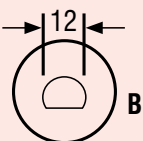
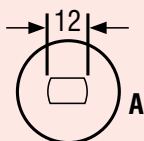


Art. T.200

Reference drawings

E.140.03 • E.140.10  
E.140.14 • E.140.12  
E.141.03 • E.141.10  
E.141.14 • E.141.12  
MUT & HONEYWELL

E.614.12 • HONEYWELL  
TERMO-MIX • E.S.B.E. - I.M.T.  
ELESTA • TERMOSTATICA 22  
BUCHE • VILB 62"  
MUT New type



Art. cod. T.200.33 Art. cod. T.200.37

Art. T.200 - Coupling for servomotors to mixing valves Art. T.109.

Art. code	Reference	Price £
T.200.33	A	7.37
T.200.37	B	7.37

Electronic units for temperature control



Price £ 62.04

Art. T.095



Art. T.095.12 – Modulating thermoregulator integrated in servomotor. Complete with 3-way brass mixing valve and temperature probe. Mixing valve with bypass and pump coupling. Control range: 1° - 100°C. Adjustable opening and closing time: 60 – 150°C. Parametrisable opening and closing direction – Parametrisable heating or cooling mode.

Power: 230 Vac – Suitable for:

- Temperature reduction and control in underfloor radiant systems..
- Temperature control to avoid condensation in biomass fueled systems.
- Temperature control in domestic hot water storage or distribution.

Art. code	Measure	Kv valve	Connections Ø	Price £
T.095.12	DN 25	10	1½" F. swiv. x 1½" M. x 1" M.	62.04
T.095.20	DN 32	18	2" F. swiv. x 2" M. x 1 ¼" M.	84.81

Art. T.096 – Modulating thermoregulator integrated servomotor installed on (included) mixing valve and complete with temperature probe. Control range: 1°-100°C. Adjustable opening and closing time 60-150". Parametrisable opening and closing – Parametrisable heating or cooling mode.

Suitable for:

- Temperature reduction and control in underfloor radiant systems.
- Temperature control to avoid condensation in biomass fueled systems.
- Temperature control in domestic hot water storage or distribution

Art. code	Type	Ø	Material	Price £
T.096.03	3 Way	3/4"	Brass	70.17
T.096.10	3 Way	1"	Brass	71.80
T.096.14	3 Way	1 1/4"	Cast-iron	75.89
T.096.12	3 Way	1 1/2"	Cast-iron	79.19
T.096.53	4 Way	3/4"	Brass	48.09
T.096.50	4 Way	1"	Brass	49.20
T.096.54	4 Way	1 1/4"	Brass	59.43
T.096.52	4 Way	1 1/2"	Cast-iron	85.44



Art. T.096



Art. T.101.07

**Art. T.101.07 - Electronic room temperature control unit model T. Reg. 300, proportional integral with mixing valve control or burner, in relation to the external temperature variations, or in relation to room temperature daily and weekly programming.**

*It is an electronic device of advanced design which allows to keep under precise control the surrounding environment temperature. This control unit acquires temperature data from the probes and adapts the heating fluid to the desired temperature needs, for greater comfort.*

*The control unit programming is extremely easy: you just need to follow the instructions, setting them on the display.*

*This model T. Reg. 300 is a versatile device, which allows the user to choose its operating mode by connecting it to both mixing valves (integral proportional functioning) and burners (ON-OFF functioning).*

*These technical features make the installation of the control unit especially suited for civil and industrial systems heating.*

*Constant display of all the elements of the system: backlit graphic display. Dimensions: 158 x 90 x 58. Installation on Omega EN50092 rail (12 modules). With navigation control for probe temperature constant setting and control. Constant display of all the heating system temperatures. Setting languages: english, italian, spanish and french.*

Price £ 265.18

**Art. T.105.14 - Plastic box with metallic rail Omega EN 50092 with capacity for 14 modules, complete with 5 cable glands diameter 8 mm.**

*Dimensions: 240 x 190 x 87 – Suitable for insertion of electronic control unit item T.101.07 – T.125.02 – T.127.04.*

Price £ 19.63



Art. T.105.14

If you can't find a code or product, **please contact us:**



TELEPHONE AND WHATSAPP  
**+44 1227 458 684**



**uk@antaresint.com**

## Electronic controllers for thermo-fireplaces



Art. T.126.00

**Art. T.126.00 - Electronic control unit for water temperature control in thermo-fireplaces.**

*Detects the temperature with a probe and controls the circulating pump. Sound alarm for temperatures over 90°C that also works if in OFF position. GRILL switch. Antifreeze protection with automatic start-up of the pump. Comes with cover and probe. Supply: 230V ~ 15% 50 Hz. 60 Hz. Contacts 5A - 250 V ~ Temperature control: 30° ÷ 90°C. Intervention differential ~ 1,5°C. Probe type NTC. Temperature display: 20°C ÷ 90°C. Protection level IP30. With plastic casing for wall-fitting, 3 modules.*

Price £ 48.55



Art. T.128.00

**Art. T.128.00 - Electronic digital control unit "201 RLX" for the control and adjustment of fireplace boilers, even combined with gas boilers with circuit separation, with heat exchangers, DHW storage and so on. Equipped with various system configurations, with various operating programmes you can select on a menu, through which you can adapt the control unit to the various systems available, with probe and 3-modules embedded box type 503.**

*Detects water temperature and control the circulator's switching on and off, and the automatic exclusion from the heating system to help domestic hot water supply with connection to the flowmeter. With anti-freeze function and automatic starting of circulator(s) to prevent the piping from freezing. 230 Vac.*

Price £ 54.31



Art. T.134.00

**Art. T.134.00 - Electronic control unit AIR RLX for hot air thermo-fireplaces control. Complete with probe and 4-modules embedded box type 504.**

*Allows to display the temperature of the hot air outlet duct and to activate the vent once the set temperature is reached. 230 Vac.*

Price £ 66.15

Visit our  
**WEBSITE**



[www.antaresint.com](http://www.antaresint.com)

For full range of temperature wells please see **pag 40 (F)**.



## Control units and thermostats for solar thermal systems



Price  
£ 60.35



Art. T.124.00

**Art. T.124.00 - Differential thermostat "Sundigit" for solar panels, wall-mounted with digital display, with 3 temperature probes.**

When the panels temperature is higher than the temperature of the boiler's water, the thermostat starts the pump, allowing heat exchange between panel and boiler. With clock display, as well as manifold and heater's temperature. Manifold: 0°C – 200°C. Heater: 0°-100°C. Power: 230 Vac. Exit connections for pump and boiler: 5 A. Dimensions: 131 x 88 x (H) 27.2. Probes can be connected up to 100 mt.

Price £ 60.35



Art. T.125.02

**Art. T.125.02 - Differential thermostat SOLAR CONTROL for solar panels, with 3 probes – Installation on DIN rail for 3 modules.**

When the panels temperature is higher than the temperature of the boiler's water, the thermostat starts the pump, allowing heat exchange between panel and boiler. To ensure a perfect exchange, the device is equipped with a temperature differential "delta T", variable from 1°C to 9°C, adjustable with the knob on the front of the thermostat.

Range: 30°-80°C. Differential range: 1-9°C. Power: 230 V. Relays outlet 10 A. Dimensions 53x90x58. Probes can be connected up to 100 mt. Equipped with 2 esclusio switches: solar panel pump, integration pump.

Price £ 98.53



PWM 2



Art. T.127.04

**Art. T.127.04 - Electronic control unit "SOLAR CONTROL SC 200" with solar panel display, with four temperature probes.**

When the panels temperature is higher than the temperature of the boiler's water, the thermostat starts the pump, allowing heat exchange between panel and boiler. To ensure a perfect exchange, the device is equipped with a temperature differential "delta T", variable from 3°C to 15°C, adjustable with the knob on the front of the thermostat. Allows for integration of both sanitary water and traditional heating system.

Configuration of 4 different solar thermal systems:

- 1° System Boiler Panel
- 2° System Boiler Panel + accumulation boiler with automatic temperature control
- 3° Integration system to heating system with automatic control
- 4° Integration system to pool system with automatic control.

Domestic water priority.

Power: 230 Vac. Temperature reading field: -20°C. 120°C.

Fastening: onto electric box on DIN rail. 9 modules. See T.105.14.

Price £ 188.74



Art. T.105.14

**Art. T.105.14 - Plastic box with metallic rail Omega EN 50092 with capacity for 14 modules, complete with 5 cable glands diameter 8 mm.**

Dimensions: 240 x 190 x 87 – Suitable for insertion of electronic control unit item T.101.07 – T.127.04.

Price £ 19.63

## Automatic phone switch for boilers or systems



While supplies last



Price  
£ 9.75

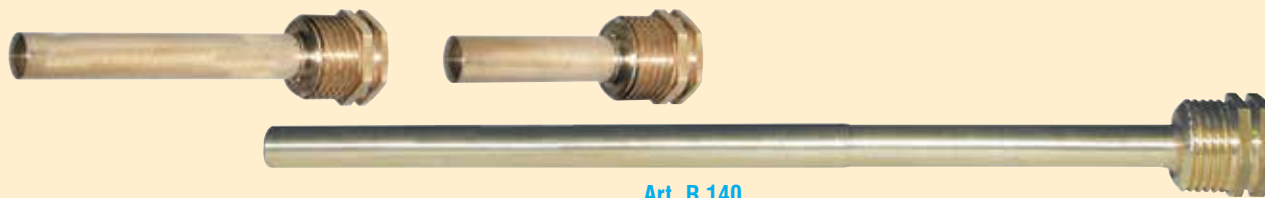


Art. T.220.50

**Art. T.220.50 - Automatic phone switch for turning on and off boilers, plumbing and heating systems, fan coils, radiators, air conditioners and any other electrical device. 230 V – 50 Hz. Complete with telephone cable and plug.**

Price £ 9.75

## Immersion pockets for thermostats and temperature probes



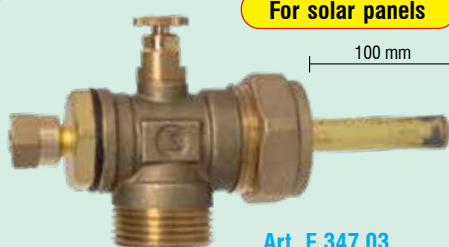
Art. R.140

### Art. R.140 - Immersion pockets for thermostats, thermometers and temperature probes.

Art. code	Connections	Internal Ø mm	Length	Price £/Quantity ≥		Art. code	Connections	Internal Ø mm	Length	Price £/Quantity ≥	
				1	10					1	10
R.140.00	3/8"M.	9	30	1.92	1.85	R.140.50	1/2"M.	9	50	2.89	2.81
R.140.87	3/8"M.	7	70	4.27	3.93	R.140.03	1/2"M.	9.75	60	2.70	2.62
R.140.80	3/8"M.	10	100	7.15	6.58	R.140.05	1/2"M.	9	150	7.71	7.47
R.140.01	1/2"M.	7	50	2.11	2.05	R.140.06	1/2"M.	9	190	8.66	8.39
R.140.02	1/2"M.	7	120	6.58	6.37	R.140.07	1/2"M.	9	280	10.31	9.80
R.140.15	1/2"M.	7	150	7.90	7.66	R.140.04	1/2"M.	9	90	3.14	3.04
R.140.22	1/2"M.	7	200	8.22	7.81	R.140.20	1/2"M.	14	200	10.02	9.70
R.140.25	1/2"M.	7	250	9.73	9.23	R.140.33	1/2"M.	14	300	10.48	9.96
R.140.30	1/2"M.	7	300	8.05	7.65	R.140.08	1/2"M.	14	100	4.28	4.15
R.140.35	1/2"M.	7	350	9.10	8.65	R.140.09	1/2"M.	14	120	4.74	4.59
R.140.40	1/2"M.	7	400	8.87	8.43	R.140.10	1/2"M.	14	150	8.53	8.26
R.140.45	1/2"M.	7	450	9.86	9.37						



Art. E.611



For solar panels

Art. E.347.03

### Art. E.611 - Brass "Y"-fitting with temperature probe pocket.

Pocket with internal diameter: 9 mm.

Art. code	Diameter	Price £
E.611.10	1"M. x 1"F.	19.41
E.611.14	1¼"M. x 1¼"F.	25.25

### Art. E.347.03 - Cross fitting with probe holder and manual vent-valve.

SQ connections 3/4"M. x Ø 22 mm – Suitable for solar panels.

Price £ 14.60



Art. R.141.02

### Art. R.141.02 - Pack of 20 friction springs for immersion pockets. Length 100 mm. Diameter for 15 mm hole.

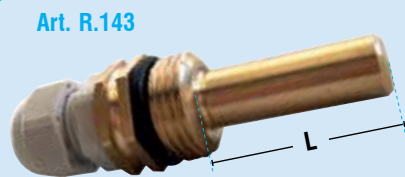
Price £ 16.92



Art. R.142.02

### Art. R.142.02 - Pack of 10 steel spring for fastening of thermostats capillary.

Price £ 1.13



Art. R.143



Art. R.144

### Art. R.143 - Brass probe holder immersion pocket 1/2"M. with plastic cable gland for cables Ø 6-8 mm.

Art. code	Length L	Price £
R.143.30	30 mm.	3.27
R.143.50	50 mm.	3.87

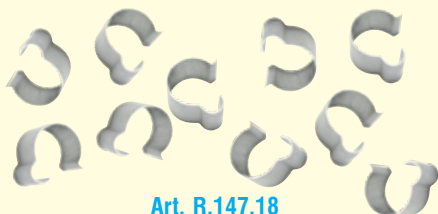
### Art. R.144 - Probe holder immersion pocket with fixing compression fitting capsule Ø 8 mm- With plastic cable gland for cables Ø 6 – 8 mm.

Art. code	Diameter	Price £
R.144.18	1/8"	3.05
R.144.04	1/4"	3.13

### Art. R.147.18 - Pack of 10 spring clips for fixing probe cables to Ø 18 mm boiler pipes. Made from zinc-plated spring steel.

Price £ 8.07

### Mounting spring for cable probes



Art. R.147.18

### Floor panel with absorber



Art. R.148.10

### Art. R.148.10 - Floor heat absorber immersion pocket, copper, 90 x 90 for easy insertion and extraction of probe with rigid cable in case of replacement. Complete with guide shell and 90° curved locking device art. G.737.16.

The pocket consists of a brass sheath welded to the copper body with threaded ends 1/2" M. that can be connected to a copper, polyethylene and multilayer pipe to protect the cable from the pit to the thermostat and to allow easy removal and re-insertion of the probe in case of replacement.

Order quantity ≥	1	10	50
Price £	19.43	18.45	17.35

## Temperature probes for thermostats and thermoregulators

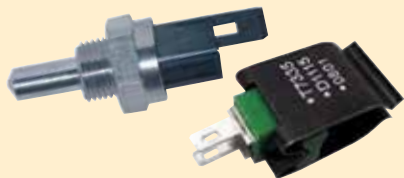


Art. T.223

Art. T.223 – Temperature probe normally used for underfloor heating systems, complete with 3 mt cable, can be connected to thermostats Art T.420, but can also be used to measure piping temperature and internal/external temperature.

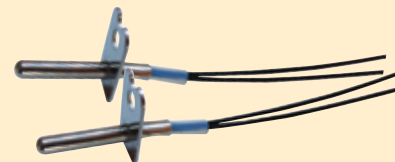
Type NTC 25° = 10K - Diameter Ø 7 mm - Regulation range: -9.5°C / 99.5°C

Type	Soft cable	Hard cable to be inserted in underfloor sheaths
Art. code	T.223.00	T.223.03
Price £	3.78	4.59



### For temperature probes:

- For boilers please see page 96 (F)
- For biomass systems please see page 108 (F)
- For solar panels please see page 107 (F)



## Flow and pressure switches for heating systems



Art. T.150.00



Art. S.040



Art. T.155.20

Art. T.150.00 - Flowmeter for pipes from 1" to 8" "FLOMAX."

Changeover contacts 15 A – Connection 1" – Suitable for pipes until 8".

Price £ 28.49

Art. S.040 - Brass differential pressure switch "MUT".

Connections	1/2" M. x 1/2" M.	3/4" M. x 1/2" M.	
Complete of:	1 microswitch	2 microswitch	1 microswitch
Art. code	S.040.01	S.040.00	S.040.03
Price £	58.12	60.82	63.52

Art. T.155.20 - Limit pressure switch with manual reset and visible adjustable range.

Connections 1/4" F. Range 2 – 4.5 bar. Compliant to I.S.P.E.S.L.

Order quantity ≥	1	5
Price £	25.26	24.62



Art. R.232



Art. S.042

Art. R.232 - Differential pressure switch for safe use of circulator pump type SFS "MUT". Connections 1/4" M.

Type with	1 microswitch	2 microswitch
Art. code	R.232.00	R.232.02
Price £	48.74	51.45

Art. S.042 - Brass differential pressure switch for water flow, small or big dimensions.

With complete passage of flow regulator and 2 microswitches with changeover contacts 10 A.

Diam. Ø	1" F.	1 1/4" F.	1 1/2" F.	2" F.
Art. code	S.042.10	S.042.14	S.042.12	S.042.20
Price £	144.79	163.10	182.46	235.34



For full range of flowmeters for boilers please see page 164 (F).

## Time switches and hourmeters



Art. T.060.00



For the safety of your profession, **ANTARES** sells exclusively to companies registered in the Chamber of Commerce

Art. T.060.00 - Embedded hourmeter – 230 V – 50 Hz – 5 digits + decimal.

Dimensions mm: 45 x 45 x 30.

Order quantity ≥	1	10
Price £	22.66	21.66

Art. T.067 - Digital electronic time switch with power reserve on box, can be installed on DIN rail for 35 mm module.

Daily and weekly programming. Programming range: 1 minute. With use indicator and anti-disturbance filter. With switch: ON-AUTO-OFF. Electric power supply: 230 VAC. Switches: 16°.

No. outlets	1		2	
Art. code	T.067.01		T.067.02	
Order quantity ≥	1	5	1	5
Price £	18.99	17.98	22.10	21.04



Art. T.067



Art. T.068.07

Art. T.068.07 - Digital electronic time switch with power reserve on SCHUKO socket.

Dimensions: 70x70x40. Daily and weekly programming. Programming range: 1 minute. With anti-disturbance filter. With one outlet. Power supply: 230 Vac. Switches: 16A.

Order quantity ≥	1		5	
Price £	10.64		10.10	

While stocks last



Art. T.070.24



Art. T.071.54

Art. T.070.24 - Programming time switch without power reserve.

Dimensions: 72 x 72 mm. Sector programming. Communal switches 16A. Daily programming. Programming range: 20 minutes.

Order quantity ≥	1	5
Price £	15.09	14.51

Art. T.071.54 - Embedded time switch, daily programming - Ø 62. Sector programming. Possible range: 15 minutes. 16° - 230 V.

Can be installed on new boilers or as a replacement (Riello – Beretta / Vokera – Simat, etc.)

Order quantity ≥	1	5
Price £	10.04	9.32

FOR MODELS NOT PRESENT OR PRODUCTS YOU CANNOT FIND,

**CONTACT US**



@ uk@antaresint.com

Telephone and WhatsApp  
+44 1227 458 684



Art. T.076.24

Price  
£ 19.22

T.076.24 – Programming time switch for module boxes with power reserve.

Dimensions: 54 x 88.5. Sector daily programming with 15 minutes range. Changeover contacts: 16A.

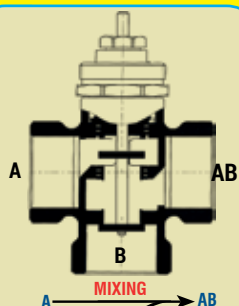
Quantity ≥	1	5
Price £	19,22	18,61

## Zone valves

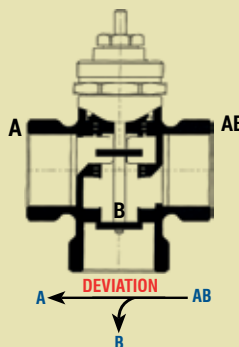
### Valves + actuators



Art. T.137



Art. T.138



T.137 – Linear 2-way valve with stainless steel closing rod with vertical stroke 4 mm. - Connection for actuator 30x1.5.

Combined with thermostatic actuators: **Art. T.130.70.**

Combined with electro-thermal actuators: **Art. V.058.**

Connections	3/4" M. x 3/4" M.	3/4" F. x 3/4" F.	1" M. x 1" M.	1" F. x 1" F.
Ksv	2.8	2.8	4.5	4.5
Art. code	T.137.03	T.137.30	T.137.10	T.137.00
<b>Price £</b>	<b>10.75</b>	<b>14.69</b>	<b>16.75</b>	<b>14.89</b>

Art. T.138 - Linear 3-way valve (A x B x AB) with stainless steel closing rod with vertical stroke 4 mm. - Connection for actuator 30 x 1.5.

Combined with thermostatic actuators: **Art. T.130.70.**

Combined with electro-thermal actuators: **Art. V.058.**

Art. code	Connections	Ksv	<b>Price £</b>
T.138.03	3/4" M. x 3/4" M. x 3/4" M.	2.8	<b>17.75</b>
T.138.30	3/4" F. x 3/4" F. x 3/4" F.	2.8	<b>15.50</b>
T.138.10	1" M. x 1" M. x 1" M.	4.5	<b>24.60</b>
T.138.00	1" F. x 1" F. x 1" F.	4.5	<b>19.51</b>

Art. V.058 - Thermoelectric actuator N.C. for the electrical opening and closing of valves from manufacturers specified below.

Can be controlled by room thermostat to individually adjust the temperature in the rooms. For the voltage transformer Art. T.129 see page 33 (F).

Model	Art. code	Voltage Volts	<b>Price £/Quantity ≥</b>	
			1	25
Without microswitch end of stroke	V.058.01	230V AC	<b>6.36</b>	<b>6.16</b>
	V.058.02	24V AC	<b>12.63</b>	<b>12.23</b>
With microswitch end of stroke	V.058.35	230V AC	<b>20.02</b>	<b>19.39</b>
	V.058.36	24V AC	<b>18.50</b>	<b>17.91</b>

Art. T.130.70 - Thermostatic actuator N.C. by remote control with bulb and capillary length 2000 mm. with ABS valve - Adjustment range: 20°C - 60°C. Bulb Ø 9, length 135 mm. - Connection 30x1.5.

Normally closed. Can be installed on valves Art. V.051, V.052, V.054, T.137, T.138.

**Price £ 13.75**

Art. T.141 - Nickel-plated brass valve, straight, complete with electromechanical actuator (Art. V.058), controllable by a room thermostat. Operating temperature max. 110°C. - 230 V - Absorption 3 W. - 230 V. Absorption 3W.

Model	Ø D1 x D2	1/2" M. X pipe coupling 1/2" M		3/4" M. Euroconus X pipe coupling 1/2" M	
		Art. code	T.141.12	T.141.13	T.141.13
Without micro limit switch	Quantity ≥	1	25	1	25
	<b>Price £</b>	<b>15.16</b>	<b>14.03</b>	<b>16.65</b>	<b>15.40</b>
	Art. code	T.141.22		T.141.23	
With micro limit switch	Quantity ≥	1	25	1	25
	<b>Price £</b>	<b>28.19</b>	<b>26.07</b>	<b>31.44</b>	<b>29.08</b>

Voltage: 24 V. For voltage transformers: Art. T.129, see page 25 (F).

Model	Ø D1 x D2	1/2" M. X pipe coupling 1/2" M		3/4" M. Euroconus X pipe coupling 1/2" M	
		Art. code	T.141.32	T.141.33	T.141.33
Without micro limit switch	Quantity ≥	1	25	1	25
	<b>Price £</b>	<b>20.87</b>	<b>19.31</b>	<b>24.72</b>	<b>22.86</b>
	Art. code	T.141.42		T.141.43	
With micro limit switch	Quantity ≥	1	25	1	25
	<b>Price £</b>	<b>26.22</b>	<b>24.25</b>	<b>30.06</b>	<b>27.80</b>



Actuators can be applied to valves:

Art. V.051 - V.052 - V.053 V.054, a page 50 (W)



Art. V.058



Art. T.130.70



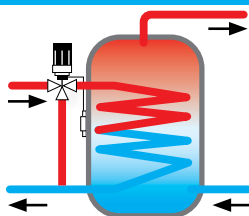
Art. T.141

### Possible applications for temperature adjustments:

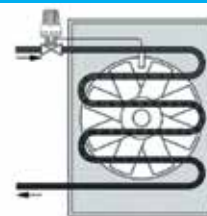
radiant systems



hot water in boilers



air in fancoils





Price  
£ 30.56

Art. T.142

Art. T.142 - Brass valve, straight 2-way, complete with electromechanical actuator (Art. V.058), with micro limit switch. Operating temperature max. 110°C.

Art. code	Diameter	Ksv	Voltage	Price £
T.142.05	3/4"M. x 3/4"M.	2.8	24 V.	30.96
T.142.15	3/4"M. x 3/4"M.	2.8	230 V.	30.56
T.142.10	1"M. x 1"M.	4.5	24 V.	35.77
T.142.50	1"M. x 1"M.	4.5	230 V.	35.37

Art. T.143 - Straight 3-way brass valve, complete with electromechanical actuator (Art. V.058), with micro limit switch. Operating temperature max. 110°C.

Art. code	Diameter	Ksv	Voltage	Price £
T.143.05	3/4"M. x 3/4" M.	2.8	24 V	25.05
T.143.15	3/4" M. x 3/4" M.	2.8	230 V	28.23
T.143.10	1" M. x 1" M.	4.5	24 V	32.95
T.143.50	1" M. x 1" M.	4.5	230 V	35.41

Art. T.144 - 3-way valve with 4 connections for Fan-Coil 1/2"M. x 1/2"M. x 1/2"M. x 1/2"M. in brass complete with electromechanical actuator (Art. V.058). Can be used as diverter and mixing valve. Voltage 24V. Operating temperature max. 110°C.

Art. code	Model	Price £
T.144.02	Without micro switch	45.19
T.144.22	With micro switch	50.14

Art. G.133 - Brass fitting M.F. thermometer holder or probe holder with sheath. Supplied with or without thermometer Art. E.078.

Sheath type	Length 30 mm. - Ø intern 9 mm.					
Diameter Ø	1/2" F x 1/2" M		3/4" F x 3/4" M		3/4" F x 3/4" M	
Position	Conic		Euroconus		Flat	
Type	Without therm.	With therm.	Without therm.	With therm.	Without therm.	With therm.
Art. code	G.133.52	G.133.42	G.133.53	G.133.43	G.133.60	G.133.80
Price £	9.61	12.77	10.57	12.64	8.54	11.33

Sheath type	Length 30 mm. - Ø intern 9 mm.					
Diameter Ø	1" F x 1" M		1 1/4" F x 1 1/4" M		1 1/2" F x 1 1/2" M	
Position	Conic		Euroconus		Flat	
Type	Without therm.	With therm.	Without therm.	With therm.	Without therm.	With therm.
Art. code	G.133.50	G.133.40	G.133.54	G.133.84	G.133.62	G.133.82
Price £	13.34	14.70	16.90	20.19	25.78	28.83

Art. P.002 - Brass pipe coupling with non-return valve inserted in nylon positioned in both directions and seal.

To ensure a single flow direction to prevent possible contamination.

Nut	3/4" F	1" F	1 1/4" F	1 1/2" F	1 1/2" F
Spigot	1/2" M	3/4" M	1" M	1" M	1 1/4" M
Art. code	P002.02	P002.03	P002.30	P002.10	P002.14
Price £	4.96	5.22	9.15	10.83	10.16

Art. G.183 - Brass joint composed of swivel cap, codule and seal. Flat seat.

Cap Ø	3/4" F.	1" F.	1 1/4" F.	1 1/2" F.
Spigot Ø	1/2" M.	3/4" M.	1" M.	1 1/4" M.
Art. code	G.183.02	G.183.03	G.183.10	G.183.14
Price £	2.86	4.14	6.35	8.63

Art. U.006 - Brass nut with brass tip for connection to copper pipe.

Connections	1/2" F. x 14	1/2" F. x 15	1/2" F. x 16	3/4" F. x 18	1" F. x 22
Art. code	U.006.54	U.006.55	U.006.56	U.006.38	U.006.72
Price £	0.66	0.64	0.59	2.04	3.77



Art. T.143



Art. T.144

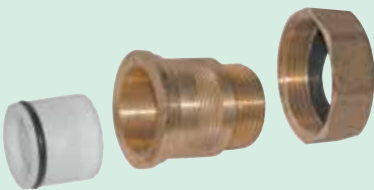
## Connection fittings for mixers



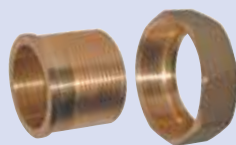
Art. G.133



See Art. U.035.84 to page58 (W).



Art. P.002



Art. G.183



Art. U.006



Price  
£ 24.58



Art. T.080

**Art. T.080 - Motorised brass zone valve "HOTWELL." 230 V - 50 Hz.**

Normally closed, in the absence of tension returns closed. Equipped with lever for manual opening.

Art. code	Type	Connections	Kv	Price £ / Quantity ≥	
				1	5
T.080.03	2-way	3/4" F. x 3/4" F.	5.7	24.58	22.26
T.080.00	2-way	1" F. x 1" F.	8.7	30.60	27.83
T.080.13	2-way	3/4" M. x 3/4" M.	5.7	28.59	27.88
T.080.10	2-way	1" M. x 1" M.	8.7	35.77	34.89
T.080.22	2-way	Copper pipe Ø 22	5.7	32.37	31.57
T.080.28	2-way	Copper pipe Ø 28	8.7	40.96	39.95
T.080.33	3-way	3/4" F. x 3/4" F. x 3/4" F.	5.5	28.42	25.86
T.080.30	3-way	1" F. x 1" F. x 1" F.	8.3	34.80	31.79
T.080.43	3-way	3/4" M. x 3/4" M. x 3/4" M.	5.5	37.61	35.82
T.080.40	3-way	1" M. x 1" M. x 1" M.	8.3	42.44	41.39
T.080.42	3-way	Copper pipe Ø 22	5.5	39.34	35.80
T.080.48	3-way	Copper pipe Ø 28	8.3	47.01	45.84

**Art. T.092 - "MUT" motorised brass zone valve. 230 V - 50 Hz.**

Normally closed; in the absence of power it returns to the closed position. Equipped with a manual override lever for opening.

Art. code	Model	Connections	Price £ / Quantity ≥	
			1	5
T.092.02	2-way	1/2" F.	72.22	69.40
T.092.03	2-way	3/4" F.	73.21	70.36
T.092.10	2-way	1" F.	76.38	73.41
T.092.22	2-way	Copper pipe Ø 22	81.75	78.57
T.092.33	3-way	3/4" M.	74.97	72.05
T.092.31	3-way	1" M.	77.50	74.48
T.092.43	3-way	3/4" F.	74.39	71.49
T.092.40	3-way	1" F.	77.50	74.48
T.092.30	3-way	flanged (•)	73.57	70.71
T.092.42	3-way	Copper pipe Ø 22	81.59	78.41
T.092.48	3-way	Copper pipe Ø 28	85.01	81.70
T.092.55	3-way with a middle position	Copper pipe Ø 15	80.90	76.14
T.092.52	3-vie with a middle position	Copper pipe Ø 22	85.13	80.13

(•) = For connection flanged please see Art. R.210 on page 113 (F).

**Art. R.102.10 - Motorised mechanism for "MUT" valve. Complete without brass body. 230 V. - 50 Hz.**

Diameter of rubber ball: 22 mm. For valves from 1/2" to 3/4".

Order quantity ≥	1	5
Price £	66.37	64.28



Art. T.092



Art. R.102.10



Price  
£ 11.79

Art. R.103

**Art. R.103 - Spare synchronous gear motor for zone valves. HONEYWELL, MUT, ORKLI and other brands.**

Art. code	Power supply	Price £
R.103.24	24 V.	11.79
R.103.05	230 V.	11.79

**Motorised ball valves**

**Coplanar horizontal connections**



Price  
£ 29.05



Art. T.098.00

**Art. T.098 - 2 or 3-way motorised ball valves with co-planar connections.**

Consisting of brass ball valve and drive servomotor. Power supply: 230 Vac., protection IP54 - Connections M.

Type	2 way				
Art. code	Connections	DN	Pressure max. bar	Opening time	Price £
T.098.03	3/4" x 3/4"	20	25	45"	29.05
T.098.10	1" x 1"	25	10	90"	56.06
T.098.14	1 1/4" x 1 1/4"	32	10	90"	77.60
T.098.42	1 1/2" x 1 1/2"	40	10	90"	72.45
T.098.40	2" x 2"	50	10	90"	98.03
Type	3 way				
Art. code	Connections	DN	Pressure max. bar	Opening time	Price £
T.098.53	3/4" x 3/4" x 3/4"	20	25	45"	37.04
T.098.50	1" x 1" x 1"	25	10	90"	53.46
T.098.54	1 1/4" x 1 1/4" x 1 1/4"	25	10	90"	78.65
T.098.52	1 1/2" x 1 1/2" x 1 1/2"	32	10	90"	82.39

## Vertical coplanar connections



Art. T.102



# FREE

deliveries for orders  
above 480 £

Contact us for any information:  
[uk@antaresint.com](mailto:uk@antaresint.com)



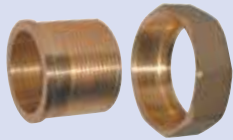
**Art. T.102 - Motorised ball valve, with total passage in compliance with DIN 3537.**

Power supply: 230 V. - 50Hz with micro limit switch 5A - Operating pressure 10 bar - Protection IP 40.37.

2-WAY SHUT-OFF VALVE				3-WAY DIVERTING VALVE			
Art. code	Diameter Ø	Running time	Price £	Art. code	Diameter Ø	Running time	Price £
T.102.03	3/4"M. x 3/4"M.*	60 seconds	25.04	T.102.53	3/4"M. x 3/4"M. x 3/4"M.*	60 seconds	105.00
T.102.10	1"M. x 1"M. *	60 seconds	24.64	T.102.50	1"M. x 1"M. x 1"M.*	60 seconds	35.53
T.102.14	1 1/4"M. x 1 1/4"M.*	60 seconds	100.08	T.102.54	1 1/4"M. x 1 1/4"M. x 1 1/4"M.*	60 seconds	44.88
T.102.42	1 1/2"M. x 1 1/2"M.*	60 seconds	110.68	T.102.52	1 1/2"M. x 1 1/2"M. x 1 1/2"M.*	60 seconds	60.26
T.102.40	2"M x 2"M.	120 seconds	298.84				

\* The valves are made for the application of the fitting to the pipe coupling. To this end, please purchase separately item **G.183**.

### Fittings for zone valves



Art. G.183



Art. P.002

**Art. G.183 - Brass joint composed of swivel cap, spigot and seal. Flat seat.**

Cap Ø	3/4" F.	1" F.	1 1/4" F.	1 1/2" F.
Spigot Ø	1/2" M.	3/4" M.	1" M.	1 1/4" M.
Art. code	G.183.02	G.183.03	G.183.10	G.183.14
Price £	2.86	4.14	6.35	8.63

**Art. P.002 - Brass pipe coupling with non-return valve inserted in nylon positioned in both directions and seal.**

To ensure a single flow direction to prevent possible contamination.

Nut	3/4" F	1" F	1 1/4" F	1 1/2" F	1 1/2" F
Spigot	1/2" M	3/4" M	1" M	1" M	1 1/4" M
Art. code	P.002.02	P.002.03	P.002.30	P.002.10	P.002.14
Price £	4.96	5.22	9.15	10.83	10.16



Visit our website

[www.antaresint.com](http://www.antaresint.com)



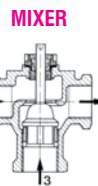
## Big dimension motorised valves



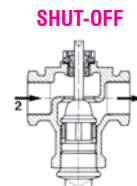
Art. T.103



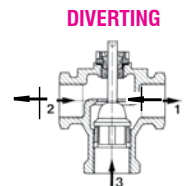
Art. T.104



MIXER



SHUT-OFF



DIVERTING

**Art. T.103 - 3way motorised valve with shutter. Complete with micro limit switch.**

Brass F.F. - Voltage 230 V - 50Hz - Running time: 75 sec.

Diameter Ø	1" F.	1 1/4" F.	1 1/2" F.	2" F.
Art. code	T.103.10	T.103.14	T.103.12	T.103.20
Price £	267.34	286.01	289.59	384.74

**Art. T.104 - 3-way flanged motorised valve PN16 with shutter. Complete with micro limit switch.**

Cast iron valve body GG25 - Shutter and stainless steel seats - Shaft stroke 32 mm. Voltage 230 VAC - Running time: 2' x 15 mm. Protection level IP44 - Max load 150 Kg.

Diameter Ø	DN 50	DN 65	DN 80
Art. code	T.104.50	T.104.65	T.104.80
Price £	663.77	808.65	924.00

N.B.: For connection counter-flanges please see Art. V.150 on page 61(W).

## Parts and accessories for gas

### Ball-valves for gas



Art. E.418



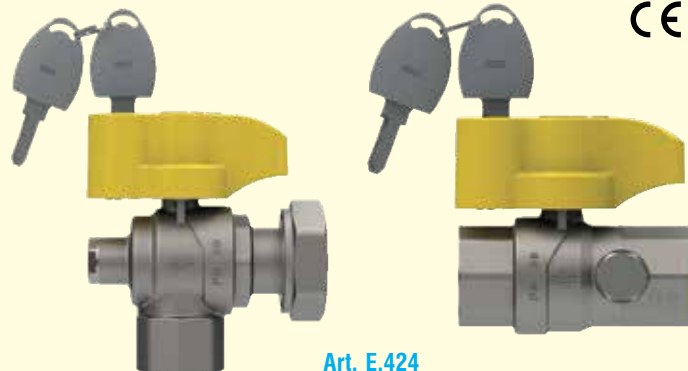
Art. E.419



Art. E.420



Art. E.423



Art. E.424

CE



Art. E.492

#### Art. E.418 - Ball valve with total passage, plasticized steel lever.

Particularly heavy construction in nickel-plated brass. Connections F.F. MOP 5. Compliant with the European standard EN331.

Art. code	Diameter Ø	Price £/Quantity ≥	
		1	20
E.418.02	1/2"	3.24	3.04
E.418.03	3/4"	4.85	4.56
E.418.10	1"	7.37	6.93
E.418.14	1 1/4"	11.76	11.06
E.418.12	1 1/2"	15.82	14.87
E.418.20	2"	24.76	23.28

#### Art. E.419 - Ball valve with total passage, plasticized steel lever.

Particularly heavy construction in nickel-plated brass. Connections M.F. MOP 5. Compliant with the European standard EN331.

Art. code	Diameter Ø	Price £/Quantity ≥	
		1	20
E.419.02	1/2"	3.97	3.73
E.419.03	3/4"	4.35	4.09
E.419.10	1"	7.37	6.93

#### Art. E.420 - Ball valve with total passage and butterfly lever.

Particularly heavy construction in nickel-plated brass. Connections F.F. MOP 5. Compliant with the European standard EN331.

Art. code	Diameter Ø	Price £/Quantity ≥	
		1	20
E.420.02	1/2"	3.43	3.23
E.420.03	3/4"	4.47	4.20
E.420.10	1"	7.19	6.76

#### Art. E.423 - Ball valve with thermal safety device (TAS), plasticized steel lever.

As soon as the temperature reaches 96°C, the valve automatically blocks the gas flow. Particularly heavy construction. Connections F.F. MOP 5. Compliant with the European standard EN331.

Art. code	Diameter Ø	Price £
E.423.92	1/2"	19.62
E.423.93	3/4"	25.08
E.423.90	1"	37.67

#### Art. E.424 - Ball valve with safety key lock for use by the user. In case of emergency, it is possible to close but not to open without the key according to UNI 7129 - with 1/4" pressure connection.

Complies with EN391

Art. code	Diameter Ø	Type	Price £
E.424.03	3/4" F. x 3/4" F.	Right-angle	34.82
E.424.10	1" F. x 1" F.	Right-angle	41.80
E.424.53	3/4" F. x 3/4" F.	Straight	33.39
E.424.50	1" F. x 1" F.	Straight	40.32

#### Art. E.492 - Fullbore ball valve for gas, with nozzle with swivel nut F. with yellow lever.

Max pressure 10 bar.

Art. code	Diameter Ø	Type	Price £
E.492.02	1/2" M. x 1/2" F.	Straight	6.83
E.492.03	3/4" M. x 3/4" F.	Straight	7.62
E.492.52	1/2" M. x 1/2" F.	Right-angle	4.41
E.492.54	1/2" M.x 3/4" F.	Right-angle	5.85
E.492.53	3/4" M. x 3/4" F.	Right-angle	6.33



Art. B.030

**Art. B.030 - Nickel-plated brass gas tap M. with hose holder for domestic use**

Type	Right-angle		Straight
Ø rubber	14 for methane gas	9 for liquid gas	14 for methane gas
Thread Ø	1/2" M.	1/2" M.	3/8" M.
Art. cod.	B.030.02	B.030.12	B.030.58
Price £	8.51	6.52	2.71

**Art. B.032 - Nickel-plated brass gas tap with yellow handle. Compliant with the European standard EN331.**

Type	At right angle			
Connections Ø	1/2" M. M.	1/2" F. M.	3/4" M. M.	3/4" F. M.
Art. code	B.032.52	B.032.92	B.032.53	B.032.93
Price £	4.43	6.18	13.15	13.29

Type	Straight			
Connections Ø	1/2" M. M.	1/2" F. M.	3/4" M. M.	3/4" F. M.
Art. code	B.032.02	B.032.42	B.032.03	B.032.43
Price £	5.50	5.68	10.66	10.38



Art. B.032

**Art. B.025 - Gas tap with thermal safety handle (TAS).**

Connection M.F. The "Push&Turn" safety handle allows the valve to be locked in the closed position so as to avoid accidental opening when there are children or elderly people in the house. To open the valve, you need to hold down the knob and turn it counterclockwise. The heating system, in case of fire, stops the gas flow when the temperature reaches 96°C. DVGW tested and approved.

Model	Straight		Right-angle	
Connections Ø	1"		1"	
Art. code	B.025.10		B.025.50	
Quantity ≥	1	10	1	10
Price £	38.90	37.93	37.16	36.23



Art. B.025

**Art. E.495 - Cast iron ball valve with flanged connections PN 16, for gas with yellow lever.**

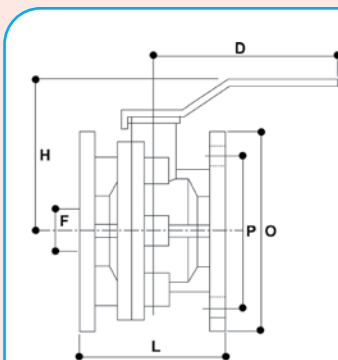
For counter-flanges, see Art. V.153 at page 61 (W).

Diameter DN	50	65	80	100	125	150	200
L	150	170	180	190	200	210	400
D	220	285	285	360	450	560	1000
O	165	185	200	220	250	285	340
P	125	145	160	180	210	240	295
H	125	150	165	180	225	240	320
F	50	63	76	95	120	145	190
Flanges holes	4	4	8	8	8	8	12
Art. code	E.495.50	E.495.65	E.495.80	E.495.00	E.495.05	E.495.15	E.495.20
Price £	128.68	155.82	198.45	260.47	442.64	595.60	1713.97

CE



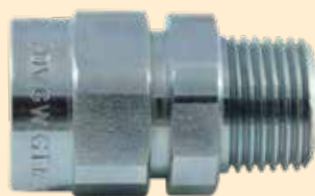
Art. E.495



**Art. B.022 - Thermal safety valve for TAS gas.**

Connections M.F. - It is a device that prevents explosions in case of fire. As soon as the ambient temperature reaches 96°C, the valve blocks the flow of gas in the pipe. The valve resists fire without being damaged for at least 1 hour at a temperature of 925°C. DVGW approved.

Diameter Ø	15	20	25
Connections M.F.	1/2"	3/4"	1"
Art. code	B.022.15	B.022.20	B.022.25
Price £	13.24	17.60	28.83



Art. B.022



Stops the gas flow as soon as temperature reaches 96°

**Dielectric insulating fittings**



Art. V.085



Visit our website

[www.antaresint.com](http://www.antaresint.com)

**Art. V.085 - 3-piece brass dielectric insulating fitting F.F.**

To connect pipes of different metals, eliminating the risks of corrosion due to stray currents or electrolytic phenomena. Max pressure: 12 bar. Max temperature 110 °C.

Diameter Ø	1/2" F.F.	3/4" F.F.	1" F.F.
Art. code	V.085.02	V.085.03	V.085.10
Order quantity ≥	1	10	1
Price £	7.96	7.55	12.59



Art. B.120.02



Art. B.124

Art. B.120.02 - Chrome safety valve for all types of gases - DIN 33833 - complete with thermal safety that closes when it reaches the temperature of 96°C, according to the new European standard EN14800.

The safety tube can only be connected when there is no gas flow. The ON/OFF position is indicated by a warning light. Connection 1/2" M. DIN 2999. DVGW tested and approved.

Order quantity ≥	1	10	50
Price £	27.40	26.77	26.25

**Art. B.124 - Safety tube.**

Safety tube for all types of gas. Internal and external in steel, with DIN 3383 connection cap to connect to all types of safety valve or taps. 1/2"F connections.

Length in mm.	500		800	
Art. code	B.124.50		B.124.80	
Order quantity ≥	1	10	1	10
Price £	33.57	32.68	38.14	37.14
Length in mm.	1000		1500	
Art. code	B.124.10		B.124.15	
Order quantity ≥	1	10	1	10
Price £	37.29	36.31	52.20	50.83

**Art. B.151.06 - Meter for gas LPG and methane from 6 mc - Connections 1 1/4"M. Press. max 36 mbar.**

Roller totalizer with reading in m. cubes: 99.999.999. Measuring unit dm. cubes: 1 - N.B.: in the application with LPG consider that 1 m3 = 2.3 Kg. of LPG A European standards.

Order quantity ≥	1	10
Price £	49.26	46.13

**Art. B.152.10 - Shelf for gas meter Art. B.151 with ball valve and nozzles. Connections 3/4" M. x 1 1/4" F.**

Price £ 17.46



Art. B.151.06



Art. B.152.10

**Pressure gauges for gas piping**



Art. B.010

Price  
£ 18.32

**Art. B.010 - Diaphragm pressure gauge for gas. Diameter 63.**

Art. code	Connection Ø	Range	Price £
B.010.10	Radial 1/4"	0 ÷ 100 mbar	18.32
B.010.11	Rear 1/4"	0 ÷ 100 mbar	18.32

**Gas leak detectors**

**PORTABLE GAS LEAK DETECTOR PEN**



Art. F.701.00

Price  
£ 17.47

**Art F.701.00 - Portable gas leak detector: methane, propane, butane, carbon monoxide. With display and fake leather cover.**

Battery-powered 2 x 1.5v AA. - Weight: 60g. - Dimensions: 260mm.

Price £ 17.47

**Art F.700.00 - Rilevatore di gas portatile con display e custodia in similpelle.**

Professional gas leak detection tool. When an explosive gas is detected, in addition to emitting a modulating sound signal, it allows you to read on the display the concentration of gas in the environment. Detection accuracy: 1% FS. Operation with rechargeable lithium polymer battery with auto-off. Battery life: 12 continuous hours. EMC EN5070 compliance. Dimensions: 140 x 60 x 27. Weight 200 gr.

Price £ 146.25

**Art. B.210.00 - Spray can of 400 ml. of liquid for leak detection.**

For the detection of gas and air leaks in low and high pressure systems.

Price £ 5.18



Art. F.700.00



Art. B.210.00

## Flexible hoses and anti-vibration joints for gas



Compliant to the new directives EN 14800



Art. B.121

Art. B.121 - Metal flexible hose for connection to domestic gas appliances "EUCCOOKERHOSE" in compliance with the new European standard EN 14800.

Made of stainless steel scroll casing tube with metal mesh sheath and additional plastic protective sheath DN 12. Complete with gaskets for gas in NBR.

Connections	1/2" F. swivel x 1/2" F. swivel			
Lenght	1000 mm	1250 mm	1500 mm	2000 mm
Art. code	B.121.10	B.121.12	B.121.15	B.121.20
Price £	10.75	13.95	13.62	15.75
Connections	1/2" F. swivel x 1/2" M.			
Lenght	1000 mm	1250 mm	1500 mm	2000 mm
Art. code	B.121.30	B.121.32	B.121.35	B.121.40
Price £	10.75	13.95	13.62	15.75



Art. E.333

Art. E.333 - Extendible stainless steel AISI 316 flexible hose with yellow protection sheath complies with UNI 11353 approved for connecting to mains of gas or water. Max pressure 10 bar. Complete with gaskets compliant to EN reg.

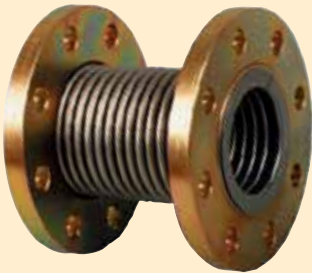
Art. code	Ø mm	Connections	Extendible length from		Price £
			Min. mm.	Maxm mm.	
E.333.01	12	1/2" M. x 1/2" F.	90	130	3.79
E.333.02	12	1/2" M. x 1/2" F.	110	200	4.02
E.333.03	12	1/2" M. x 1/2" F.	220	400	4.99
E.333.21	20	3/4" M. x 3/4" F.	90	130	5.24
E.333.22	20	3/4" M. x 3/4" F.	110	200	5.45
E.333.23	20	3/4" M. x 3/4" F.	220	400	7.08
E.333.31	25	1" M. x 1" F.	90	130	8.95
E.333.32	25	1" M. x 1" F.	110	200	8.48
E.333.33	25	1" M. x 1" F.	220	400	11.11



Art. E.334

Art. E.334 - Stainless steel anti-vibration expansion joint for gas distribution pipes and other uses, threaded M.M. Compliant to UNI CIG 8042 standard.

Connection Ø	6 - 1/2"	20 - 3/4"	25 - 1"	32 - 1 1/4"	40 - 1 1/2"	50 - 2"
Art. code	E.334.02	E.334.03	E.334.10	E.334.14	E.334.12	E334.20
Price £	16.29	19.15	24.28	37.32	39.40	56.66



Art. E.336

Art. E.336 - Double-walled anti-vibration expansion joint for gas burner supply pipes with central stainless steel bellows and free flanges in PN16 UNI2223 steel. Can also be used as expansion compensator. Compliant to UNI CIG 8042.

Type	Art. code	Thread	Extensible length from		For counter-flanges see page 61(W)	Price £
			Min. mm.	Max mm.		
Without counter-flanges, gaskets and bolts	E.336.22	DN 65	100	180	V. 153.65	142.87
	E.336.30	DN 80	100	180	V.153.80	166.62
With counter-flanges, gaskets and bolts	E.336.65	DN 65	100	180	-	222.26
	E.336.80	DN 80	100	180	-	279.61

Art. B.200 - 25 m roll of self-extinguishing yellow PVC conduit with smooth inner surface.

(Class VL 94 VO). For the insertion of natural gas and LPG pipes in compliance with the provisions of the UNI CIG 7129 and 7131 regulations.

Diameter Ø	20	25	30	35	40	50	60
Art. code	B.200.20	B.200.25	B.200.30	B.200.35	B.200.40	B.200.50	B.200.60
Price £	30.24	38.14	69.42	62.31	101.98	107.29	133.39



Art. E.341

N.B.

For the gas corrugated flexibles hose please see page page 106 (W)



Art. B.200

## Flexible hoses kit for boilers' installation or replacement



Art. E.338.40

E.338.40 - Kit of stainless steel flexible hoses extendable from 220 mm. to 400 mm. for the connection of gas boilers.

Composed of:

- • No. 1 yellow flexible plasticized DN 20 connections 3/4" F. gir. x 3/4" M. for gas with gasket in NBR compliant to EN 549.
- • N 2 flexible DN 20 connections 3/4" F. gir. x 3/4" M. for water heating with gaskets in Fasisit.
- • No. 2 flexible DN 12 connections 1/2" F. gir. x 1/2" M. for sanitary water with gaskets in Fasisit.

Price £ 33.99

## Gas filters

CE



**PROMOTION**  
Ø 1" £ 6.17

Art. B.000

### B.000 - Gas filter for domestic installations, made of inspectable aluminium.

Prevents the passage of dust particles or debris by protecting the safety and regulation devices according to DIN - DVGW. Max pressure: 2 bar.

Diameter Ø	1/2"	3/4"	1"
Art. code	B.000.02	B.000.03	B.000.04
Price £	4.56	4.56	6.17



Art. B.001



### B.001 - Gas filter for domestic installations, made of inspectable aluminium.

Prevents the passage of dust particles or debris by protecting the safety and control devices according to DIN - DVGW. Max pressure: 6 bar.

Diameter Ø	1 1/4" F-F.	1 1/2" F-F.	2" F-F.
Art. code	B.001.14	B.001.12	B.001.20
Price £	42.34	42.34	69.87

Diameter Ø	Flanged DN 65 (PN 16 UNI 2282)	Flanged DN 80 (PN 16 UNI 2282)
Art. code	B.001.65	B.001.80
Price £	242.17	292.17

For counterflanges, please see Art. V.150 a page61 (W).

## Gas pressure regulators



**PROMOTION**  
Ø 1" £ 13.73



Art. B.002

### B.002 - Pressure stabilizer in aluminium for gas, certified in compliance with European standards.

Max pressure: input 1000 mbar - output 16 to 60 mbar

Diameter Ø	1/2" F-F.	3/4" F-F.	1" F-F.
Art. code	B.002.02	B.002.03	B.002.10
Price £	13.73	13.73	13.73

Diameter Ø	1 1/4" F-F.	1 1/2" F-F.	2" F-F.
Art. code	B.002.14	B.002.12	B.002.20
Price £	130.51	134.59	166.33

Diameter Ø	Flanged DN 65 (PN 16 UNI 2282)	Flanged DN 80 (PN 16 UNI 2282)
Art. code	B.002.65	B.002.80
Price £	486.21	511.80

For counterflanges, please see Art. V.150 a page61 (W).

Visit our  
WEBSITE



[www.antaesint.com](http://www.antaesint.com)



Art. B.003

### B.003 - Filter + built-in gas stabilizer made of aluminium. Certified to European standards by GASTEC. Maximum inlet pressure 500 mbar. Connections F.F.

Diameter Ø	1/2"	3/4"	1"	1 1/4"	1 1/2"	2"
Art. code	B.003.02	B.003.03	B.003.10	B.003.14	B.003.12	B.003.20
Price £	60.84	60.84	60.84	120.66	120.66	144.47

## HOW TO ORDER FROM US

E-mail



[uk@antaesint.com](mailto:uk@antaesint.com)

Telephone



+44 1227 458 684

Website



[www.antaesint.com](http://www.antaesint.com)

Whatsapp



+44 1227 458 684

## Gas, CO and CO2 leak detectors

Promotion  
£ 8.39



Methan  
GPL

Art. B.038.00

**B.038.00 - Wall household detector for explosive gas leaks for domestic use. It emits an audible signal and can control a manually rearmed flow shut-off solenoid valve, an alarm siren, an extractor, etc.**

Power supply: 230 Vac - Alarm control output: 12 Vdc pulse for any solenoid valve. Reference art. B.057 to page 42 (F). Protection degree IP 42 - Catalytic sensor with alarm threshold: 10% LIE.

Price £ 8.39

Ad incasso



Methan

Art. B.045.24

**B.045 - Built-in gas leak detector with audible alarm and relay.**

It can be combined with the most common 3-module built-in boxes. It emits an audible signal and can control a closing solenoid valve, extractor, siren etc. 230 VAC power supply. Switching contacts suitable for normally open (N.O.) and normally closed (N.C.) solenoid valves.

Model for	Methangas		LPG gas	
Art. code	B.045.24		B.045.25	
Quantity ≥	1	5	1	5
Price £	93.40	90.95	93.40	90.95



GPL

Art. B.045.25

**Art. B.050 - Gas leak detector with audible signal and wall relay.**

Emits an audible signal and can control an optional shut-off solenoid valve, extractor, siren, etc. White enclosure. Power supply: 230 VAC. Switching contacts suitable for both normally open (N.O.) and normally closed (N.C.) solenoid valves.

Model for	Methangas		LPG gas	
Art. code	B.050.24		B.050.25	
Quantity ≥	1	5	1	5
Price £	69.86	68.13	69.86	68.13



Methan-  
GPL

Art. B.050

**B.051.90 - Carbon monoxide detector, with audible alarm and relay.**

Emits an audible signal and can control a possible closing solenoid valve, extractor, siren etc. White housing. Power supply 230 VAC. Switching contacts, suitable for solenoid valves normally open (N.O.) and normally closed (N.C.).

Price £ 109.83



CO

Art. B.051.90

**Art. T.004.00 -Carbon dioxide (CO2) presence detector with thermometer.**

Dimensions: 115 x 85 x 35 h - Power supply: 230 Vac. Functions of the CO2 detector: detection scale 400 - 5.000 ppm with output relay for any fan or alarm siren. Thermometer functions: temperature measurement 0 - 40°C.

Price £ 130.07



CO<sub>2</sub>

Gas detector +  
thermometer

Art. T.004.00



In order to safeguard your profession, **ANTARES** exclusively sells to individuals who are duly registered in the professional register of the Chamber of Commerce.



Art. B.052.20



Art. B.053

**B.052.20 - Gas leak detector unit "GAS CONTROL 4D" for 4 remote sensors specific to different types of gases.**

Control unit equipped with relay for the control of any solenoid valve, sirens etc. To be connected to the specific sensors Art. B.053. It can control a solenoid valve, extractor, siren etc. 230 VAC power supply. Changeover contacts suitable for normally open (N.O.) and normally closed (N.C.) solenoid valves.

Price £

**B.053 - Remote dislocation gas presence detector for control unit B.052.20.**

Model for	Methangas	LPG gas
Art. code	B.053.24	B.053.25
Price £		



Art. B.070



**KIT "Guardian" DETECTOR + SOLENOID VALVE**

Art. B.070 – "Guardian" – Kit consisting of an explosive gas leak detector (Art. B.038.00) and a gas shut-off valve with manual reset, available in the specified diameters. Art. B.057 (see below). The detector emits an audible alarm in the presence of gas and actuates the solenoid valve for manual closure of the gas flow.

Power supply: 230 VAC – Alarm output: 12 VDC – Pulse signal for any solenoid valve – Reference Art. B.057 (see below). Protection rating: IP42 – Catalytic sensor with alarm threshold: 10% LEL.

Art. code	Diameter Ø	Price £
B.070.02	1/2" (DN15)	
B.070.03	3/4" (DN20)	
B.070.10	1" (DN25)	

**Manual reset solenoid valve**

Normally closed



Art. B.054

Normally open



Art. B.055

Normally open

Promotion  
£ 10.31



Art. B.057

**Isolation valves**

**Item B.054 - Solenoid valve for gas normally closed with manual restart (N.C.).**

230V - 50Hz - Mechanical closing in case of power failure. The installation of this solenoid valve is in conjunction with the Art. B.045, B.050, B.051.90 and B.052.20. Manual action is required to reset the solenoid valve. Maximum pressure: 500 mbar.

Diameter Ø	1/2" F-F.	3/4" F-F.	1" F-F.	1 1/4" F-F.	1 1/2" F-F.	2" F-F.
Art. code	B.054.02	B.054.03	B.054.10	B.054.14	B.054.12	B.054.20
Price £	51.78	53.87	64.95	101.59	101.59	147.12
Diameter Ø	Flanged DN 65 (PN 16 UNI 2282)			Flanged DN 80 (PN 16 UNI 2282)		
Art. code	B.054.65			B.054.80		
Price £	359.50			371.56		

For counter-flanges, see Art. V.150 on 63(W).

**Art. B.055 - Gas solenoid valve normally open with manual restart (N.O.).**

230V - 50 Hz - Receiving an electrical impulse the solenoid valve closes. The installation of this solenoid valve is in accordance with Art. B.045, B.050, B.051.90 and B.052.20. Maximum pressure 500 mbar.

Diameter Ø	1/2" F-F.	3/4" F-F.	1" F-F.	1 1/4" F-F.	1 1/2" F-F.	2" F-F.
Art. code	B.055.02	B.055.03	B.055.10	B.055.14	B.055.12	B.055.20
Price £	43.42	44.97	57.67	83.59	83.59	134.43
Diameter Ø	Flansch DN 65 PN 16 UNI 2282			Flansch DN 80		
Art. code	B.055.65			B.055.80		
Price £	355.58			366.44		

**Art. B.057 - Solenoid valve for gas normally open with manual restart.**

Power supply 9 - 12 Vdc - Max pressure: 1.000 mbar. Receiving an electrical pulse from the gas leak detector, the solenoid valve closes. The installation of this solenoid valve can be directly combined with the detector B.038.00 and with the independent electrical line (standalone) with the detectors B.045 - B.050 - B.051 - B.052.

Art. code	B.057.02	B.057.03	B.057.10
Diameter Ø	1/2" (DN25)	3/4" (DN20)	1" (DN25)
Price £	10.31	10.95	22.44

## Solenoid valves N.C. (normally closed)



Art. R.260



Art. R.262

**Art. R.260 - Solenoid valve for gas normally closed. Quick opening/closing with connector.**

Approved Class A - DVGW and EEC - Max pressure: 200 mbar - 230V.

Art. code	R.260.08	R.260.02
Diameter	3/8" F.	1/2" F.
Price £	61.46	59.23

**Art. R.262 - Solenoid valve for gas normally closed. Quick opening/closing.**

Approved Class A - EEC - With flow rate regulator - 230 V.

Diameter F-F	1/2"	3/4"	1"	1 1/4"	1 1/2"	2"
Max. Pressure mbar	360	360	200	200	200	200
Art. code	R.262.02	R.262.03	R.262.10	R.262.14	R.262.12	R.262.20
Price £	96.87	125.19	125.43	264.19	265.62	368.46

## Thermal action shut-off valves



Art. E.041

**Art. E.041 - Isolation valve for gas and liquid fuels (gas, heavy oil and diesel) with a capillary of 5 mt. Compliant to the European standards ped 97/23/EC.**

Operating temperature set to 97°C. 3°C. - Maximum operating temperature of the probe: 115°C - PN 10.

Diameter	1/2" M.-M.	3/4" F.-F.	1" F.-F.
Art. code	E.041.02	E.041.03	E.041.10
Price £	213.31	230.87	257.16
Diameter	1 1/4" F.F.	1 1/2" F.F.	2" F.F.
Art. code	E.041.14	E.041.12	E.041.20
Price £	296.52	321.60	373.08
Flanged diameter Ø	DN 65		DN 80
Art. code	E.041.65		E.041.80
Price £	857.47		1027.56

## Alarm sirens



Art. B.058.90

**Art. B.058.90 - Alarm siren for thermal power stations and other industrial applications.**

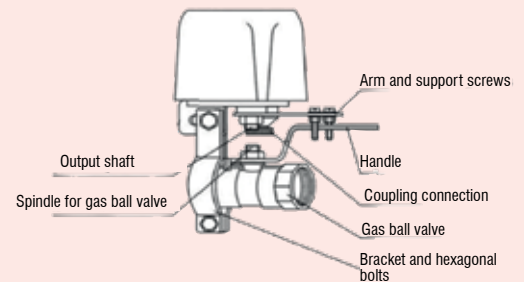
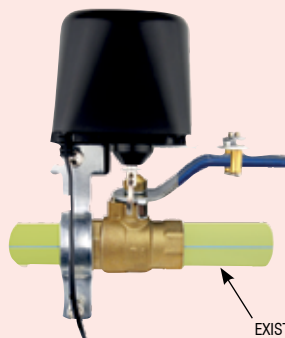
High density modulated sound signal. Complete with a 10 W lamp. Power supply: 230 V.

Price £ 91.32

## Electric ball valve actuator for gas and water



Art. B.060.01



**Art. B.060.01 - Actuator motor of ball valves with lever, already existing as well for automatic closing with gas and water leaks detectors.**

It can be applied to existing lever ball valves on gas or water pipes and is automatically controlled by gas leak and water leakage detectors. It can be installed without disassembling the pipe, if the closing ball valve is already present. For valves from 1/2" to 3/4" - Operation with voltage: 12 V DC - Can be combined with the gas leak detector Art. B.038.00 on page 46(F).

Price £ 31.98

Application on lever-operated ball valves for existing water and gas pipes for automatic closing with gas and water leak detectors

## Fittings and accessories for LPG gas cylinders



Art. B.098.04



Art. G.180



Art. B.102



Art. B.098.04 - Injector 1/4" M. with nut F. W20 x 1/14 left swivel for gas in brass (italian standard thread).

Price £ 4.04

Art. G.180 - Pack of 10 brass hose fittings.

### Type with female thread

Connection Ø	10 x 3/8" F.	10 x 1/2" F.	14 x 3/8" F.	14 x 1/2" F.	18 x 1/2" F.
Art. code	G.180.08	G.180.02	G.180.48	G.180.42	G.180.82
Price £	10.70	17.21	11.19	17.52	18.08
Connection Ø	20 x 3/4" F.	25 x 1" F.	30 x 1 1/4" F.	35 x 1 1/4" F.	
Art. code	G.180.24	G.180.21	G.180.34	G.180.54	
Price £	28.46	34.87	73.41	78.62	

### Type with male thread

Connection Ø	10 x 1/8" M.	10 x 1/4" M.	10 x 3/8" M.	10 x 1/2" M.	14 x 3/8" M.	14 x 1/2" M.
Art. code	G.180.68	G.180.62	G.180.81	G.180.12	G.180.84	G.180.64
Price £	6.25	7.64	9.32	13.19	10.24	14.65
Connection Ø	20 x 1/2" M.	20 x 3/4" M.	25 x 1" M.	30 x 1" M.	35 x 1 1/4" M.	
Art. code	G.180.22	G.180.23	G.180.51	G.180.31	G.180.43	
Price £	15.45	24.07	35.18	36.06	78.23	

Art. B.102 - 1/2" Gas rubber connection at right angle.

Connection	15 x 1/2" - M.	14 x 1/2" - F.
Art. code	B.102.02	B.102.22
Price £	3.64	3.16

Art. B.105.10 - Pack of 100 gaskets for connection of gas cylinders.

Price £ 3.20

Art. B.104 - Straight threaded connection with left and right swivel 1/2" for gas cylinders.

Type	Nipples	Sleeves
Art. code	B.104.02	B.104.12
Price £	2.26	3.32

Art. B.125.00 - Mini-centraline for connecting two gas cylinders.

Complete with two shut-off taps, 2 500 mm hoses., 1 bracket for direct fixing to the wall, 1 low pressure regulator with a load of 4 Kg./h and non-return device compliant to UNI 7131.

Price £ 42.77

Art. B.090.00 - Straight pressure regulator for LPG with a load of 1 kg.

Suitable for gas stoves and domestic uses. Input sockets F. W 20 x 1/14" left swivel (italian standard thread). Outlet connection: hose holder diameter 10.

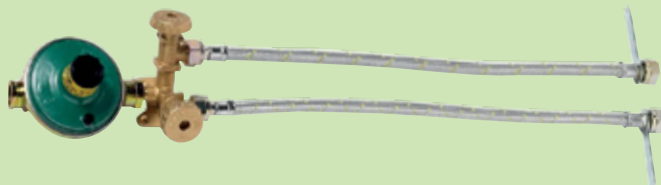
Price £ 5.67



Art. B.105.10



Art. B.104



Art. B.125.00



Art. B.130



Art. B.131

Art. B.130 - Control unit for connecting several LPG cylinders, complete with taps with non-return valves compliant to UNI 7131. Safety valve, pressure gauge, hose connection to cylinders. 1/2" connection.

Type	2 cylinders	3 cylinders
Art. code	B.130.02	B.130.03
Price £		

Art. B.131 - Sleeve or hose for connection unit for LPG gas cylinders.

Connections: female W 20 x 1/14" left swivel (italian standard thread). Complete with handle.

Type	500 mm.	1.000 mm.
Art. code	B.131.05	B.131.10
Price £		

## LPG gas pressure regulators



Art. B.090.00



Art. B.095

Art. B.095 - Adjustable LPG pressure regulator.

Suitable for boilers, burners, water heaters, large kitchens and centralized systems. Working pressure 20-60mbar

Flow rate Kg./h	4 Kg.	7 Kg.
Inlet connections	GS25-H13	GS25-H13
Outlet connections	3/8" F.	1/2" F.
Art. code	B.095.04	B.095.06
Price £	11.19	18.76

## Accessories for piping and fuel tanks



Art. A.001.00

Art. A.001.00 - "Multiflex" tank suction valve with pull-up lever and foot valve. Brass with 1" M. connection.

Suction and return conns.: diameter 8, 10, 12 or 3/8". Length of suction tube: 2.200 mm. With diam. Ø 6 connection ready for attachment of remote level gauge A.040.00.

Quantity ≥	1	10
Price £	27.76	25.82



Art. A.010



Art. A.011

Art. A.010 - Universal spring check valve (diesel, fuel oil, petrol, water etc.).

Works in any position: diagonal, vertical or horizontal.

Installed with Art. A.011 can be used as universal foot valve. Connections F.F.

Diameter Ø	3/8"		1/2"		3/4"	
Art. code	A.010.08		A.010.02		A.010.03	
Quantity ≥	1	10	1	10	1	10
Price £	3.46	3.37	3.26	3.17	4.75	4.64

Diameter Ø	1"		1 1/4"		1 1/2"	
Art. code	A.010.10		A.010.14		A.010.12	
Quantity ≥	1	10	1	5	1	5
Price £	5.40	5.28	10.95	10.40	11.36	11.08

Diameter Ø	2"		2 1/2"		3"	
Art. code	A.010.20		A.010.22		A.010.30	
Quantity ≥	1	5	1	5	1	5
Price £	19.01	18.54	36.52	35.46	49.51	48.57

**FREE DELIVERY**  
for orders  
over **680 £**



Art. A.020.00

Art. A.011 - Stainless steel filter.

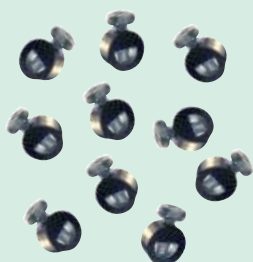
With Art. A.010 can be used as universal foot valve - M. connection.

Connection Ø	3/8"	1/2"	3/4"	1"	1 1/4"
Art. code	A.011.08	A.011.02	A.011.03	A.011.10	A.011.14
Price £	1.01	0.42	0.42	0.61	0.79

Connection Ø	1 1/2"	2"	2 1/2"	3"
Art. code	A.011.12	A.011.20	A.011.22	A.011.30
Price £	0.87	1.04	2.54	2.98



Art. A.027.50



Art. A.029.01

Art. A.020.00 - Firebox with emergency handle.

For remote control of valve - in R.O. polypropylene - complete with attachment for cable, screws and dowels for wall fixing and template for glass.

Price £ 14.53

Art. A.027.50 - Coil of 50 m. flexible plastic-coated steel cable.

Price £ 9.49



Art. A.028.01

Art. A.029.01 - Pack of 10 cable clamps.

Price/pack. £ 9.67

Art. A.028.01 - Pack of 10 pulleys.

Complete with wall dowel.

Price/pack. £ 17.98

Our team is here  
**TO HELP YOU**



TELEPHONE

+44 1227 458 684



uk@antaresint.com



WHATSAPP

+44 1227 458 684



Art. A.030.00



Art. A.040.00



Art. A.041.08



Art. A.042.50



Art. A.044.00



Art. A.050



Art. A.051



Art. A.052



Art. A.054.99



Art. E.041

**Art. A.030.00 - PVC tank vent cap. Suitable for Ø 1" - 1 1/4".**

Quantity ≥	1	10
Price £	2.88	2.76

**Art. A.040.00 - Pneumatic tank level indicator "TELEMATIC".**

Connection for plastic tube 6 × 1 (Item A.042.50) – Maximum tank diameter: 3.000 mm.

Price £ 72.51

**Art. A.041.08 - Tank connection fitting for pneumatic level indicator.**

1" M connection for 6 × 1 plastic tubing (Item A.042.50).

Price £ 2.60

**Art. A.042.50 - 50 m coil of polyethylene tubing for connection of the remote level indicator to the tank.**

Order quantity ≥	1 roll	10 rolls
Price £	10.55	10.29

**Art. A.044.00 - Adjustable level indicator with float for tank.**

Price £ 11.50

**Art. A.050 - Diesel filter in die-cast aluminium - 3/8" F connection.**

Bowl in:	Transparent Plastic		Die-Cast Aluminium	
Art. code	A.050.08		A.050.98	
Quantity ≥	1	10	1	10
Price £	7.43	7.21	10.51	10.24

**Art. A.051 - Diesel filter in die-cast aluminium with stopcock, check valve and fixing bracket - 3/8" F connection.**

Bowl in:	Transparent Plastic		Die-Cast Aluminium	
Art. code	A.051.08		A.051.98	
Quantity ≥	1	10	1	10
Price £	34.70	33.79	37.78	36.79

**Art. A.052 - Diesel filter with cover and bowl in die-cast aluminium.**

Connections F.F.	1/2"	3/4"	1"
Art. code	A.052.02	A.052.03	A.052.10
Price £	21.65	50.03	51.77

**Art. A.054.99 - Diesel filter with recycling. Brass body and transparent plastic bowl.**

Eliminates return pipe to tank. With stopcock, check valve and drain cock. Complete with steel fixing bracket and stainless steel mesh filter. Connections: 3/8" F, Ø 8, 10, 12.

Quantity ≥	1	10
Price £	46.97	45.79

**Art. E.041 - Intercepting valve for gas fuels and liquids (gas, heavy oil and diesel) with 5 mt capillary. Conforms to European leg. ped. 97/23/CE.**

Intervention temp. set at 97°C ± 3°C - Max. working temp of probe: 115°C - PN10.

Diameter	1/2" M. - M.	3/4" F. - F.	1" F. - F.
Art. code	E.041.02	E.041.03	E.041.10
Price £	213.31	230.87	257.16
Diameter	1 1/4" F. - F.	1 1/2" F. - F.	2" F. - F.
Art. code	E.041.14	E.041.12	E.041.20
Price £	296.52	321.60	373.08
Flange diameter Ø	DN 65		DN 80
Art. code	E.041.65		E.041.80
Price £	857.47		1027.56



Art. A.060.08



Art. A.080.40

Art. A.080.02



**Art. A.060.08 - Anti-syphon solenoid valve for diesel or heavy oils.**

Connections: 3/8" FF. Usually installed in feeder pipe if tank is located higher than burner. Vertical installment 230 V - 50 Hz N.C. When prompted opens - passage 8 mm.

Quantity ≥	1	10
Price £	33.74	32.91

**Art. A.080 - Diesel meter "CONTOIL".**

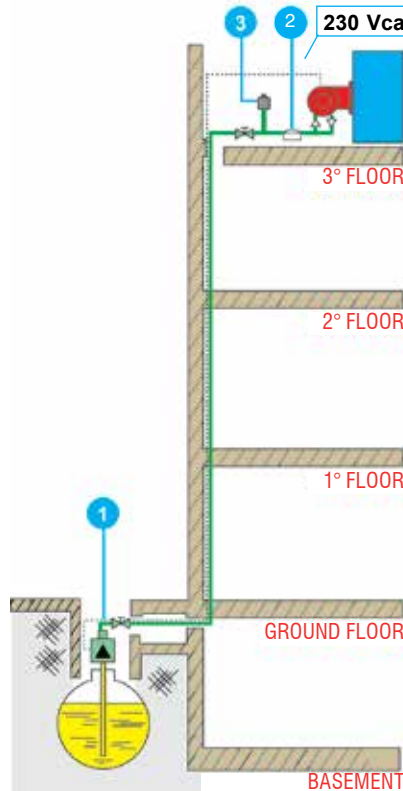
Can be installed directly between burner pump and nozzle.

Art. code	Type	Model	Flow rate lt./h	Connections	Power max.	Price £
A.080.40	BRAUN	HZ 5	40	1/8"	25 bar	259.65
A.080.02	AQUA METRO	VZO 8	135	1/4"	25 bar	341.53

**Auxiliary pumps for burner supply pumps**



Art. A.100.00



- 1 Pump Mod. A.100.00
- 2 Pressure reducer A.101.00
- 3 Air vent valve
- 4 Pump A.102.00

**Art. A.100.00 - Auxiliary supply pump for diesel or fuel oil burners.**

Usually installed above tank as auxiliary pump.

- Flow rate 10 Lt./h at a pressure of 2 bar.
- Power supply: 230 V.
- Vertical suction inlet height: 2 m.
- Supplied with flexible hose.

Price £ 121.86



Art. A.101.00

**Art. A.101.00 - Pressure reducer for diesel.**

Connections: 3/8" M. or Ø 10. Flow rate 20 l/h - Inlet pressure 0.5 - 6 bar. Outlet: 0.1 bar.

Quantity ≥	1	5
Price £	34.02	



Art. A.102.00

**Art. A.102.00 - Rotary motor pump for auxiliary power supply of diesel to burners installed at great distance from tank. Complete with 2 flex. hoses - 230 V - 150 W.**

System	Twin-tube	Monotube
Flow rate lt/h	60	60
Suction Intake from Tank	6 mt.	3.5 mt.
Max. head	10 bar	10 bar
Price £	202.04	

## Igniters for biomass boilers and furnaces - 230 Volt

**A = With flexible cables**

**Types of protection  
cables outlet**

**B = With high-temperature sheath**



### Standardised metal with 3/8" fitting – Voltage 230 Volt

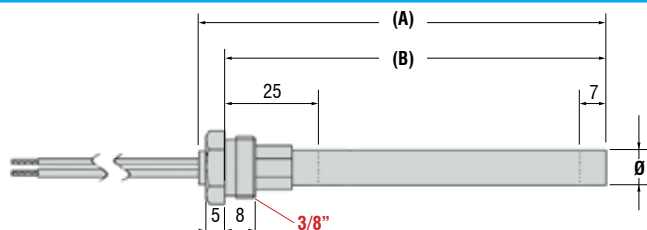


Art. N.101

FOR MISSING MODELS OR PRODUCTS YOU CANNOT FIND,  
**CONTACT US**

@ [uk@antaresint.com](mailto:uk@antaresint.com)

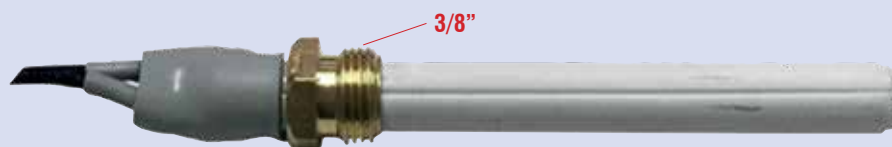
Telephone and WhatsApp  
**+44 1227 458 684**



**Art. N.101 - Ignitor for boilers and pellet stoves with 3/8" fixing connection, suitable for the ignition of pellets and wood chips for stoves, boilers and burners. Tested for over 10.000 cycles On/Off - 230 Vac.**

Art. code	Ø mm.	Total length A mm.	Length of underpass B mm.	Absorption W	Protection cables outlet	Compatible	Price £
N.101.10	9.5	148	140	350	A	MCZ - RED	10.27
N.101.11	9.5	167	157	250	B	RAVELLI	11.02
N.101.12	9.5	185	180	350	A	PALAZZETTI	11.02
N.101.27	9.9	140	130	270	A	AMG - RAVELLI - PIAZZETTA - ADLER and others	10.27
N.101.14	9.9	146	136	250	A	RAVELLI	10.27
N.101.30	9.9	148	138	300	A	AMG - CADEL and others	10.27
N.101.15	9.9	150	140	250	A	LAMINOX - PALAZZETTI - MCZ - PUROS - RIKA PIAZZETTA - RED - SUPRA	10.27
N.101.23	9.9	150	140	270	B	Various manufacturers	12.20
N.101.28	9.9	150	140	280	B	PIAZZETTA - CS THERMOS - ADLER and others	10.27
N.101.31	9.9	150	140	300	A	PIAZZETTA - UNGARO - CS THERMOS and others	10.27
N.101.26	9.9	153	143	250	A	MBZ - KLOVER and others	10.18
N.101.24	9.9	158	148	300	B	Various manufacturers	13.10
N.101.29	9.9	160	150	280	A	LMS - UNGARO - VIBROK - LINCAR KARMEK and others	10.18
N.101.16	9.9	160	150	300	B	Various manufacturers	13.10
N.101.18	9.9	163	153	250	B	Various manufacturers	12.90
N.101.17	9.9	170	160	280	B	Various manufacturers	13.10
N.101.21	9.9	180	170	300	A	LAMINOX	11.02
N.101.22	9.9	205	195	350	A	Various manufacturers	11.02
N.101.25	10	150	140	250	B	LAMINOX - PALAZZETTI - PUROS - RIKA and others	10.27
N.101.32	10	160	150	300	B	UNGARO - LINCAR - CS THERMOS - LAMINOX and others	11.02
N.101.20	10	170	160	300	B	Various manufacturers	13.08
N.101.34	10	180	170	300	B	LAMINOX and others	11.02
N.101.36	10	185	175	350	B	Various manufacturers	10.18
N.101.38	12.5	104	94	250	A	RAVELLI	10.18
N.101.39	12.5	120	110	235	B	GIROLAMI	10.18
N.101.33	12.5	163	153	330	A	PYROS - NATURALINE and others	10.18
N.101.35	12.5	170	160	350	A	PALAZZETTI - ROYAL - EDILKAMIN and others	12.74
N.101.40	12.5	190	180	350	A	Various manufacturers	10.18
N.101.41	12.5	204	194	420	B	CLAM	10.18
N.101.42	12.5	205	195	420	A	CLAM	10.18

### Round-section ceramic with cable protection – Voltage: 230 Volt

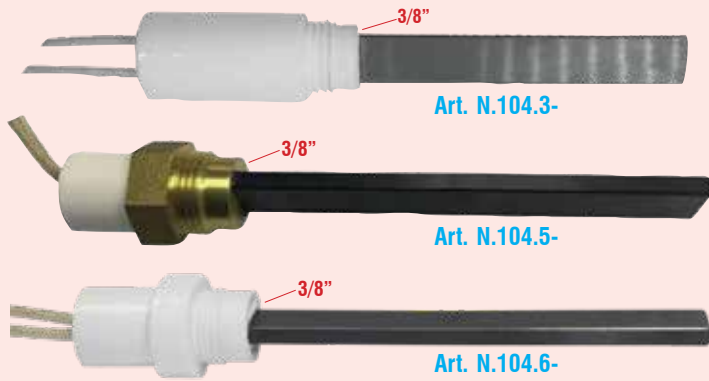


Art. N.100

**Art. N.100 - Ceramic ignitor with 3/8" M fixing fitting for pellet and woodchip boilers, stoves and burners. 230 Vac – Element temperature 1.000°C – Heat exchange facilitated by airflow both outside and inside the resistance.**

Art. code	Ø mm.	Length underneath mm	Watt	Sealed version	Perforated version	Price £
N.100.00	11.55	89	300	SI	NO	17.14
N.100.01	11.55	89	300	NO	SI	16.15

## In quartz crystal, rectangular section, with cable protection



**Sealed**



**Perforated**



**Art. N.104 - Quartz crystal ignitor with 3/8" male fixing fitting for pellet and woodchip boilers, stoves and burners. 230 V AC – Element temperature: 1.000 °C – Heat transfer facilitated by airflow both outside and inside the element. Cable length: 400 mm.**

Art. code	Model	Fitting type	Quart element dimensions	Length	Total length	Watt	Price £
N.104.30	Ceramic fitting 3/8"	Hermetic	10 x 4	68	105.5	300	25.03
N.104.31	Ceramic fitting 3/8"	Hermetic	10 x 4	68	105.5	350	23.88
N.104.50	Brass fitting 3/8"	Perforated	10 x 4	90	126	300	26.28
N.104.51	Brass fitting 3/8"	Perforated	10 x 4	90	126	400	26.28
N.104.60	Ceramic fitting 3/8"	Perforated	10 x 4	90	126	300	26.28
N.104.61	Ceramic fitting 3/8"	Perforated	10 x 4	90	126	400	26.28

## Igniters with fitting M14 x 1.5 – Voltage 230 Volt

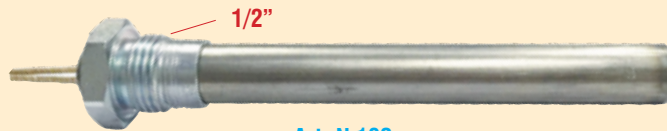


**Art. N.093.30 - Metallic ignition element with M14 x 1.5 fixing fitting for pellet and woodchip boilers, stoves and burners. 230 V AC.**

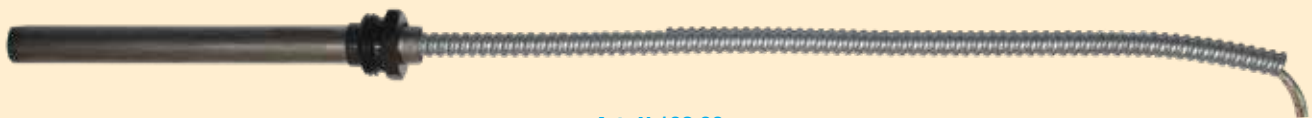
Diameter: 10 mm – Length underneath: 300 mm – Total length: 334 mm – Power: 250 W

Price £ 33.47

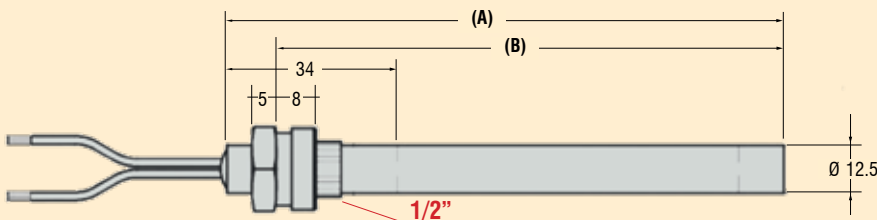
## Igniters with 1/2" connection – Voltage 230 Volt



Art. N.102



Art. N.102.90



For product information, you can send us messages and photos via WhatsApp.

+44 1227 458 684

We do not provide product information over the phone. Checking spare part compatibility is a free service to assist the customer with their purchase. We accept no responsibility if the indicated product does not match.

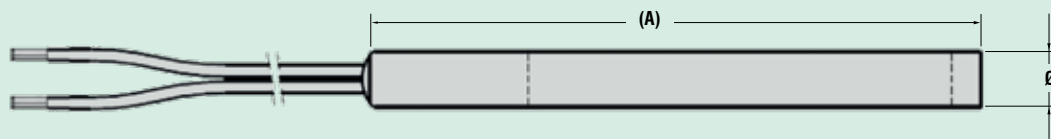
**Art. N.102 - Ignitor for boilers and pellet stoves with fixing fitting 1/2" M. Suitable for ignition of pellet and cippings for stoves, boilers and burners. Volt 230 Vac.**

Art. code	Ø mm.	Total length A mm	Length underneath B mm	Absorption W	Cables outlet protection see chart page 59 (F)	Compatible	Price £
N.102.30	12.5	141	131	300 with grounding cable	B	ARCA and various manufacturers	33.73
N.102.37	12.5	170	160	350	A	Various manufacturers	23.59
N.102.50	12.5	188	180	350	A	PALAZZETTI and others	25.15
N.102.45	12.5	190	180	450	A	Various manufacturers	33.10
N.102.40	16	152	140	400	A	ECOSYSTEM and others	26.76

## Smooth metallic ignition resistances – Voltage 230 Volt



Art. N.103



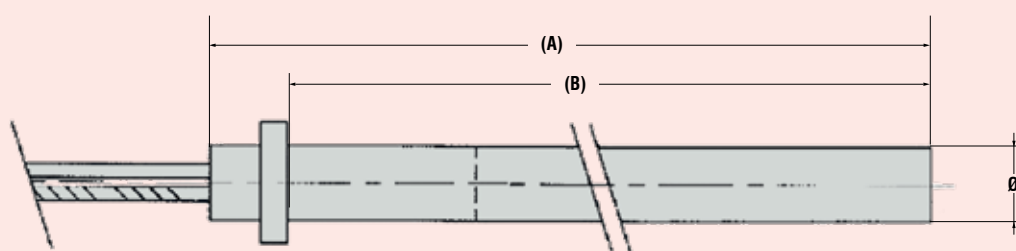
Art. No. 103 – Ignitor for pellet boilers and stoves, smooth model, suitable for igniting pellets and wood chips in stoves, boilers and burners. Tested for over 10.000 On/Off cycles – 230 VAC.

Art. code	Ø mm.	Lenght A mm.	Absorption W	Cables outlet protection see chart <b>page 59 (F)</b>	Compatible	Price £
N.103.10	9.5	188	250	A	PRISMA - LTL	9.43
N.103.20	9.9	150	250	A	GP TERMOCAMINI	9.38
N.103.21	9.9	155	300	A	CADEL - EDILKAMIN - SICALOR - RAVELLI - NORDICA - EXTRAFLAME - ECOTECK	9.43
N.103.31	9.9	160	300	A	NORDICA - EDILKAMIN - SICALOR - ITALCALOR - CADEL and others	9.38
N.103.22	9.9	170	300	B	MONTEGRAPPA	9.38
N.103.37	10	140	300	A	Various manufacturers	9.27
N.103.30	10	154	300	A	CADEL - EDILKAMIN - SICALOR - NORDICA EXTRAFLAME - ECOTECK and others	9.38
N.103.38	10	155	280	A	NORDICA EXTRAFLAME	9.38
N.103.32	10	175	350	A	PRISMA - MONTEGRAPPA and others	9.38
N.103.34	10	180	320	A	MONTEGRAPPA and others	9.38
N.103.90	12.5	130	300	A	EDILKAMIN - PALAZZETTI	9.38
N.103.51	12.5	150	250	B	Various manufacturers	9.38
N.103.36	12.5	160	350	B	CLAM - EDILKAMIN - MCZ - ROYAL - PALAZZETTI - THERMOROSSI - OLIMPIA SPLENDID - PELLBOX and others	10.86
N.103.52	12.5	185	400	B	Various manufacturers	11.11
N.103.60	12.7	101	300	A	ARCE - CADEL - EUROFIAMMA - EUROSTECK	9.38

## Flanged metallic ignition resistances – Voltage 230 Volt



Art. N.105

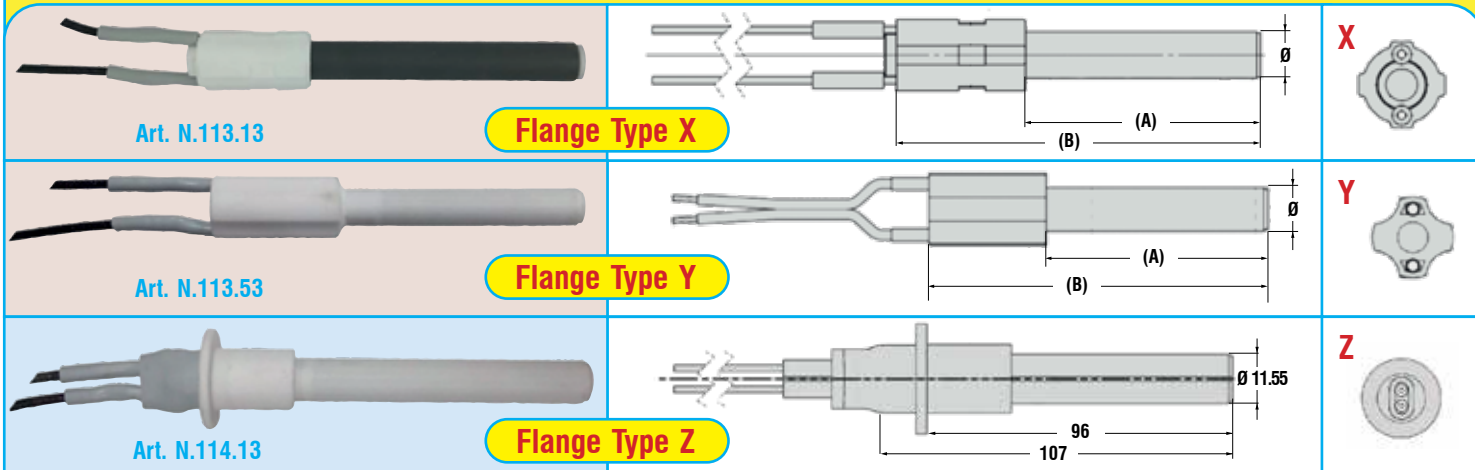


Pour la protection de votre profession, **ANTARES** vend exclusivement aux personnes inscrites aux registres professionnels de la Chambre de Commerce.

Art. N.105 - Metal ignitor for boilers and pellet stoves with fixing flange, suitable for the ignition of pellets and wood chips for stoves, boilers and burners. Tested for over 10.000 on/off cycles - Volt. 230 Vac.

Art. code	Ø mm.	Total length A mm	Length underneath B mm	Absorption W	Cables outlet protection see chart <b>page 59 (F)</b>	Compatible	Price £
N.105.20	9.6	155	146	250	B	ECOFORST	10.18
N.105.25	9.9	160	145	250	A	FTB and others	10.18
N.105.35	12.5	160	150	350	B	ROYAL - PALAZZETTI - THERMOROSSI - OLIMPIA SPLENDID and others	11.59
N.105.36	12.5	170	162	350	B	PALAZZETTI - EDILKAMIN - THERMOROSSI - OLIMPIA SPLENDID and others	11.59
N.105.40	12.5	189	180	350	B	THERMOROSSI	10.18
N.105.45	12.5	280	270	470	B	EDILKAMIN - ITALIANA CAMINI	10.18

## Round-type ceramic Igniters – Voltage 230 Volt



**Art. N.113 - Round-section ceramic ignitor with ceramic fixing flange for pellet and woodchip boilers, stoves and burners. 230 Vac**

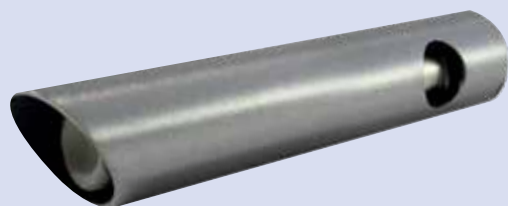
Art. code	Ø mm.	Quote A	Quote B	W	Flange Type	Price £
N.113.13	11.55	78	113	300	X	19.43
N.113.53	10.50	58	93	240	Y	15.34

**Art. N.114.13 - Round-section ceramic ignitor with ceramic fixing flange and silicone cable insulation sheath. For pellet and woodchip boilers, stoves and burners. 230 Vac.**

Length underneath: 96 Total length: 107 - 300 Watt. Flange type: Z.

Price £ 20.44

## Resistances with conveyor – 230 V.



Art. N.107.35

**Art. N.107.35 - Ignitor for boilers and pellet stoves with air conveyor suitable for ignition of pellet for stoves, boilers, and burners.**

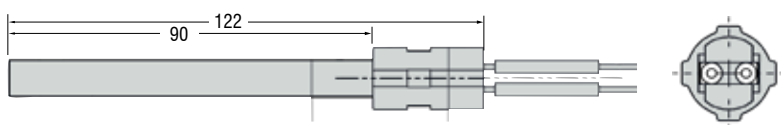
Diameter 16 mm - Length: 120 - 350 Watt. - 230 Vac.  
Compatible: ANSELMO COLA-FERROLI and other brands.

Price £ 44.42

## Resistances in quartz crystals, with flanges, rectangular-section – Voltage 230 Vac



Art. N.115



**Art. N.115 - Rectangular-section quartz ignitor (10.8 × 4 mm) with perforated ceramic fixing flange for pellet and woodchip boilers, stoves and burners.**

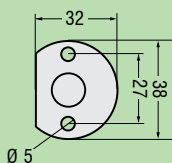
Length underneath: 90 – Total length: 122 - 230 Vac.

Art. code	Watt power	Price £
N.115.30	300	27.30
N.115.40	400	30.06

## Metallic ignitor with fixing ears – 230 Vac



Art. N.070.40



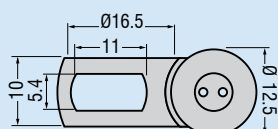
**Art. N.070.40 - Metallic ignitor with fixing ears for pellet and woodchip boilers, stoves and burner.**

Diameter 12.5 mm – Length underneath: 103 Total length: 132 - 400 Watt. - 230 Vac. Compatible: ENVIRO FIRE – EDILKAMIN FRANCO-BELGE.

Price £ 16.46



Art. N.072.47



**Art. N.072.47 - Metallic ignitor with fixing ears for pellet and woodchip boilers, stoves and burner.**

Diameter 12.5 mm – Underneath length: 270 Total length 280 470 Watt. - 230 Vac. Compatible: EDILKAMIN.

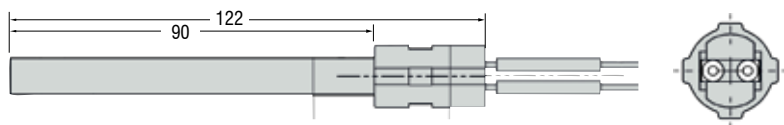
Price £ 19.25

## Low-voltage Igniters – 24 Vac

### Quartz crystals Igniters



Art. N.117.12



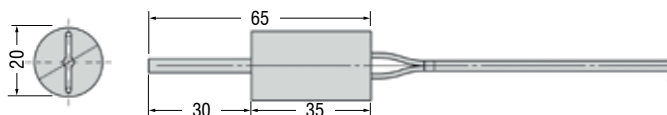
Art. N.117.12 - Quartz crystals ignitor, rectangular-section 10.8 x 4 with ceramic fixing flange for pellet and woodchip boilers, stoves and burners. Low voltage: 24 Vac.

Underneath length: 90  
Total length: 122 - 150 Watt

Price £ 28.45



Art. N.118.90



Art. N.118.90 - Quartz crystals ignitor, round-section diam. 35 with ceramic fixing flange for pellet and woodchip for boilers, stoves and burners. Low voltage: 24 Vac.

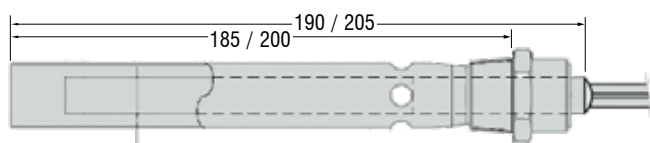
Underneath length: 30  
Total length: 65 - 90 Watt.

Price £ 48.70

### Customised Igniters

**FERROLI**

Art. N.081.35

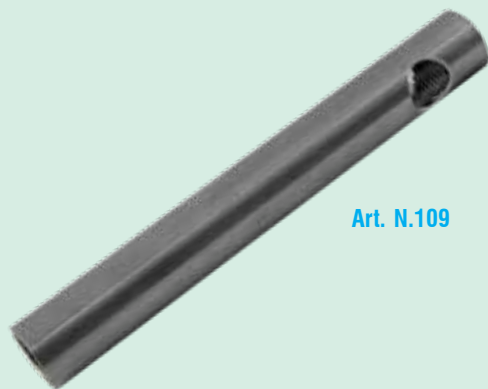


Art. N.081.35 - Metallic ignitor with conveyor FERROLI compatible diam. 9.9/18 for pellet and woodchip boilers, stoves and burners.

Underneath length: 185/200 - Total length: 190/205 - 350 Watt. 230 Vac.

Price £ 43.25

### Accessories and spare parts for Igniters



Art. N.109



Art. N.119.95



Art. N.109 - Air blower for the ignitor of boilers and biomass stoves - Connection 3/8" F.

Art. code	Ø mm.	Lenght mm.	Price £
N.109.14	19.05	143	6.27
N.109.15	19.05	153	7.54

Art. N.119.95 - Threaded fitting 3/8" M. with cuts for compression fitting of smooth resistances.

Length: 18 mm. Inner diameter 9.95 mm.

Price £ 3.71

### High-temperature cables and sheaths



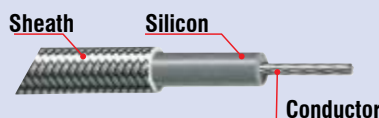
Silicon



Art. N.560



Silicon + Sheath



Art. N.561



Art. N.560 - Pack of 2.5 mt. silicone cable for high-temperatures.

Maximum temperature: 180°C.

Art. code	Cable section mm <sup>2</sup>	Price £
N.560.15	1.5	2.57
N.560.25	2.5	4.94

Art. No.561 - Pack of 2.5 mt. high-temperature silicone cable protected with sheath in fiberglass fabric.

Maximum temperature: 180°C.

Art. code	Cable section mm <sup>2</sup>	Price £
N.561.15	1.5	3.60
N.561.25	2.5	5.47



Fiberglass sheath



Art. N.565

Art. N.565 - Roll of 2.5 mt sheath made with fiberglass for the protection of cables exposed to high temp.

Max temp. 250°C.

Art. code	Internal diameter mm	Color	Price £
N.565.04	4	Red	1.71
N.565.06	6	Red	4.78
N.565.08	8	Red	4.79
N.565.25	25	White	6.54

## FASTON terminals



Art. R.740.1-



Art. R.740.2-



Art. R.740.3-



Art. R.740.4-



Art. R.740.5-

Art. R.740 - Pack of 100 crimp FASTON terminals for electrical cable connections.

Art. code	Color	Cable section	A	B	C	L	L	Price £
Female receptacle	R.740.11	Red	0.25÷1.5	6.3 x 0.8	7.9	1.7	21	2.93
	R.740.12	Light Blue	1.5÷2.5	6.3 x 0.8	7.9	2.3	21	4.07
Preisolated female receptacle	R.740.21	Red	0.25÷1.5	4.8 x 0.8	6.5	1.7	20	4.25
	R.740.22	Red	0.25÷1.5	6.3 x 0.8	7.9	1.7	22	4.77
	R.740.23	Light Blue	1.5÷3.5	4.8 x 0.8	6.5	2.3	20	4.52
	R.740.24	Light Blue	1.5÷2.5	6.3 x 0.8	7.9	2.3	21.5	5.33
Male receptacle	R.740.31	Red	0.25÷1.5	6.3 x 0.8	7.8	1.7	21.5	2.93
	R.740.32	Red	0.25÷1.5	4.8 x 0.8	6.5	1.7	20	2.40
	R.740.33	Light Blue	1.5÷2.5	6.3 x 0.8	7.8	2.3	21.5	3.20
	R.740.34	Light Blue	1.5÷2.5	4.8 x 0.8	6.5	2.3	18.5	2.40
Fork	R.740.41	Red	0.25÷1.5	∅ 4.3	6.5	1.7	21.5	2.40
	R.740.42	Light Blue	1.5÷2.5	∅ 4.3	6.5	2.3	21.5	2.93
Eyelet	R.740.51	Red	0.25÷1.5	∅ 3.7	6.6	1.7	20	2.40
	R.740.52	Red	0.25÷1.5	∅ 5.3	8	1.7	20	3.20

## Temperature probes and sensor for biomass boilers and stoves

### NTC temperature sensors

47K



Art. N.142.47

10K



Art. N.143.01

Art. N.142.47 - Waterproof air and water probe, NTC 47K type, with a cylindrical TPE bulb 5 x 20mm

Working temperature: -50°/+110°C. Capsule length: 20 mm. Diameter: 5 mm. Cable type: round with double TPE insulation - Length: 1 mt.

Price £ 3.91

Art. N.143.01 - Air probe NTC 10K type epoxy drop in PVC

Working temperature: -30°/+105°C. Capsule length: 5 mm. Diameter: 3 mm. Cable type: PVC HT 105° - Length: 1 mt

Price £ 2.01

Art. N.145.02 - Air probe type NTC 10K with bulb in TPE 6 x 5 x 15 mm.

Working temperature: -50°/+120°C. Capsule length: 15 mm. Diameter: 6 x 5. Cable type: TPE flat - Length: 1 mt.

Price £ 2.25

10K



Art. N.145.02

10K



Art. N.146.04

Art. N.146.04 - Waterproof air probe NTC 10K type with cylindrical TYPE bulb 5 x 20 mm.

Working temperature: -50°/+110°C. Capsule length: 20 mm. Diameter: 5 mm. Cable type: round with double TPE insulation - Length: 1 mt..

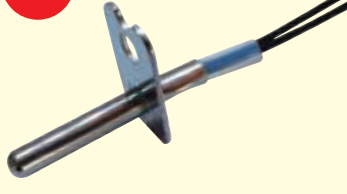
Price £ 2.74

Art. N.147.01 - Probe for smoke control type NTC 1K 300°C with fixing flange 20 + 20 mm.

Working temperature: 0°/+300°C. Capsule length: 40 mm. Diameter: 4 mm. Cable type: Teflon - Length: 200 mm.

Price £ 3.45

1K



Art. N.147.01

1K



Art. N.149.03

Art. N.149.03 - Fume control probe NTC 1K type 300°C with fixing flange 11 mm. And protection sheath, inox bulb.

Working temperature: 0°/+300°C. Capsule length: 11 mm. Diameter: 4 mm. Length: 1 mt.

Price £ 7.30

## Temperature thermocouples

J



Art. N.150

Art. N.150 - Thermocouple temperature type "J" with stainless steel tube and cable "Vetrotex".

Operating temperature: 0°/+350°C.

Art. code	Ø mm.	Lenght mm.	Price £
N.150.01	4 X 30	880	6.54
N.150.02	4 X 30	1.250	7.04
N.150.04	4 X 40	880	6.28
N.150.05	4 X 40	1.250	7.41

J



Art. N.153

Art. No.153 - Temperature thermocouple type "J" with stainless steel tube and cable "Vetrotex", with fixing flange 23 + 17 mm.

Operating temperature: 0°/+350°C.

Art. code	Ø mm.	Lenght mm.	Price £
N.153.01	4 X 40	880	6.87
N.153.02	4 X 40	1.250	7.41

K



Art. N.155.00

Art. N.155.00 - Fume control thermocouple type "K" 550°C.

Working temperature: 0°/+550°C. Capsule: 6 x 60.

Capsule length: 60 mm. Diameter 6 mm.

Cable type: Fiberglass, Cable length: 3 mt.

Price £ 9.82

K



Art. N.157.00

Art. N.157.00 - Fume control thermocouple type "K" 400°C with fixing flange 20 + 20 mm.

Working temperature: 0°/+400°C. Capsule: 4 x 40.

Capsule length: 40 mm. Diameter 4 mm.

Cable type: Fiberglass - Cable length: 1.10 mt.

Price £ 7.39

K



Art. N.159.00

Art. N.159.00 - Fume control thermocouple type "K" 900°C.

Working temperature: 0°/+900°C. Capsule: 3 x 110.

Capsule length: 110 mm. Diameter 3 mm.

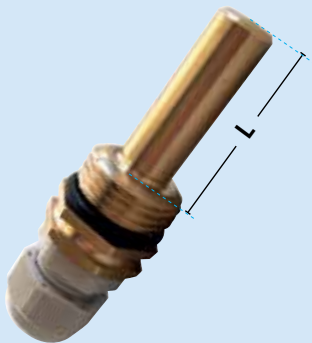
Cable type: Silicone - Cable length: 2 mt.

Price £ 18.36

**N.B.**

for full range of probes please see page 96 (F)

## Immersion pockets for thermostats and temperature probes



Art. R.143



Art. R.144

Art. R.143 - Brass probe immersion pocket 1/2" M. with plastic cable gland for cables Ø 6-8 mm.

Internal diameter: 9 mm.

Art. code	Lenght L	Price £
R.143.30	30 mm.	3.27
R.143.50	50 mm.	3.87

Art. R.144 - Probe immersion pocket with compression nut for capsule fastening, diameter 8 mm. - With plastic cable gland for cables Ø 6-8 mm.

Art. code	Diameter	Price £
R.144.18	1/8"	3.05
R.144.04	1/4"	3.13

**N.B.**

For full range of immersion pockets for temperature probes and thermostats please see page 40 (F).

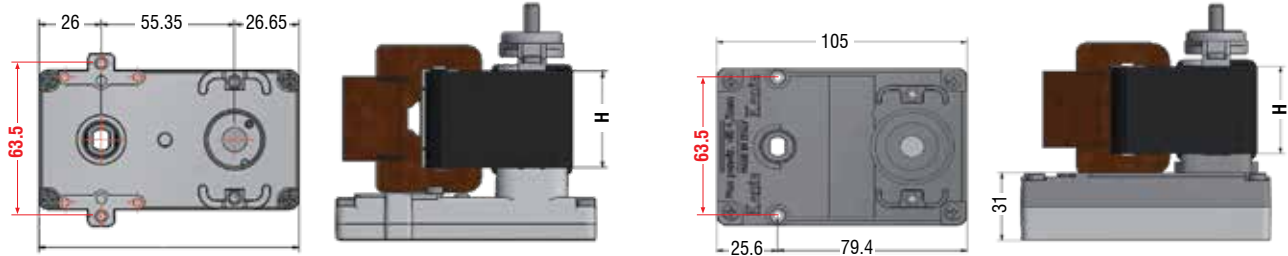
## Guide to motor gear configuration and choice

Definitions for the correct model choice

### ► Layout of the mounting holes of the standardised models:

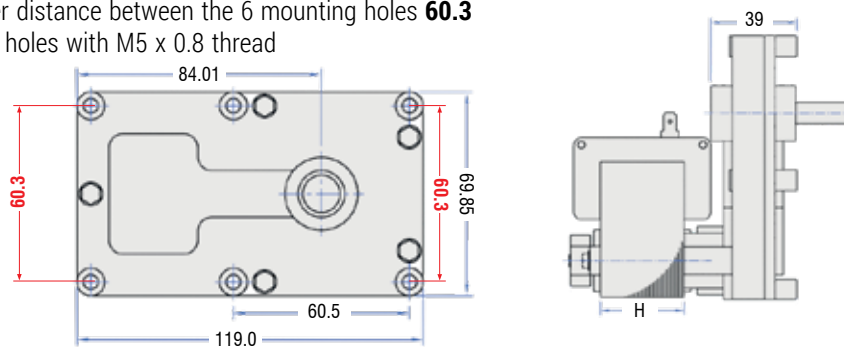
#### TYPE "A" MOUNTING - Compatible with: BCZ, KENTA, MELLOR, MK, and others

- Center distance between the 2 mounting holes: 63.5 mm
- 2 concentric holes on the drive shaft with M6 x 1 thread

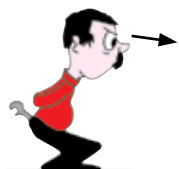


#### TYPE "B" MOUNTING - Compatible with: BCZ - KENTA - MELLOR - MK - and others.

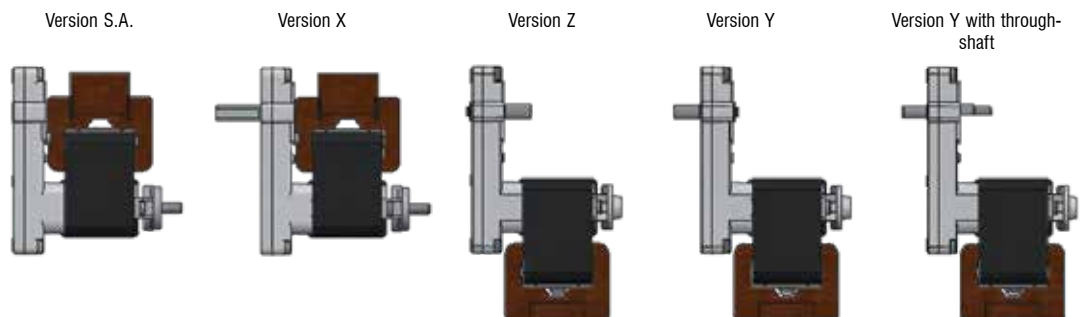
- Center distance between the 6 mounting holes **60.3**
- No. 4 holes with M5 x 0.8 thread



### Configuration of the position of the motor and of the drive shaft:

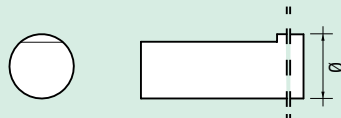


The rotation direction of the shaft should always be considered when looking at the gear from the side opposite the motor.

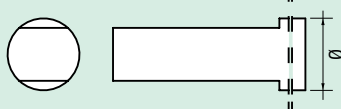


### ► Shaft type determination:

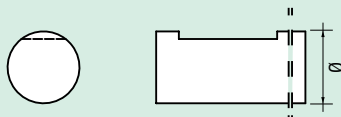
- Extended flat shaft



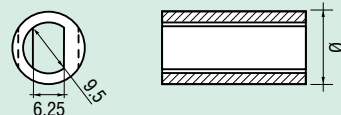
- Extended shaft with double flat



- Extended flat shaft with key



- Through hole



### ► Technical dimensional features:

- RPM (revolutions per minute)
- Torque or force unit of measurement in Nm.
- Motor stack thickness expressed in mm

### ► Equipment:

the gear motor can be supplied with and without encoder with 3-pole connector



For information on products, you can text us and send us pictures on **Whatsapp**



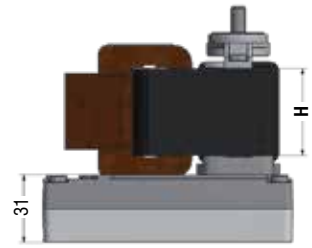
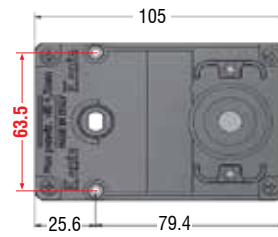
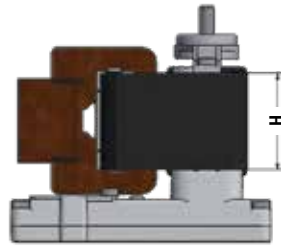
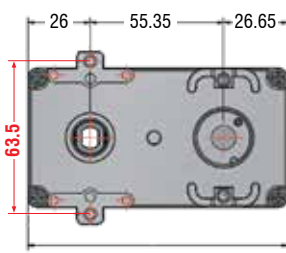
We do not provide product information over the phone. Checking spare part compatibility is a free service to assist the customer with their purchase. We accept no responsibility if the indicated product does not match.

## Model A with center distance between the 2 mounting holes 63.5 mm

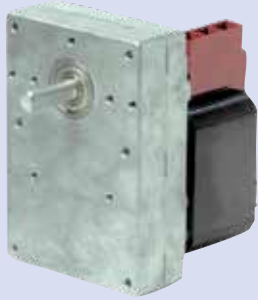
### TYPE "A" MOUNTING

- Compatible with: BCZ, KENTA, MELLOR, MK, and others

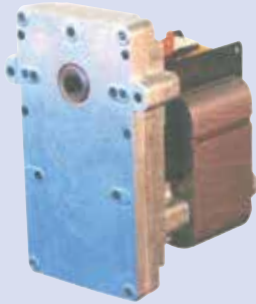
- Center distance between the 2 mounting holes: 63.5 mm
- 2 concentric holes on the drive shaft with M6 x 1 thread



**X**



**S.A.**



**Z**



**Y**

**Y1 Cable Entry**



Art. N.126.5-

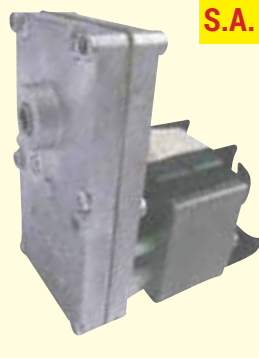
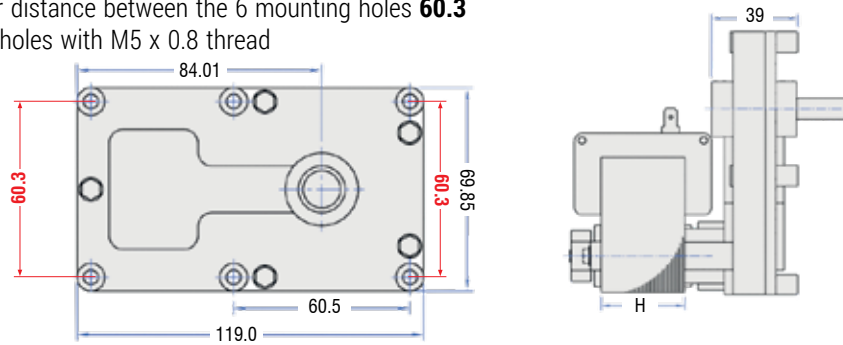
**Art. N.126 - Gear motor for biomass boilers and stoves with mounting type "A" with center distance between the linear holes 63.5 mm. Compatible BCZ - KENTA - MELLOR - MK and others - 230 Vac.**

Art. code	Speed RPM	Shaft			Motor pack				Reference	Compatibility	Price £
		Rotation	Configuration	Ø	Confg.	Unit	H Pack	Encoder			
N.126.10	1	Clockwise	Flat protrusion	8.5	Y	43	30	NO	K9175004	Various manufacturers	55.52
N.126.20	1	Clockwise	Flat protrusion	8.5	X	21	20	NO	K9173007	Various manufacturers	55.52
N.126.21	1.5	Clockwise	Flat protrusion	8.5	X	30	30	NO	K9115005	Various manufacturers	47.88
N.126.11	1.5	Clockwise	Flat protrusion	8.5	Y	30	30	NO	K9115004	Various manufacturers	47.88
N.126.22	1.5	Clockwise	Flat protrusion	8.5	X	36	30	NO	K9175052	Various manufacturers	55.52
N.126.23	1.5	Clockwise	Flat protrusion	8.5	X	30	30	SI	K9175003	Various manufacturers	55.52
N.126.50	1.5	Clockwise	Flat protrusion	8.5	X	18	30	NO	K9115000	Various manufacturers	47.88
N.126.40	1.5	Clockwise	Hollow pass	8.5	S.A.	32	30	NO	K9115006	Various manufacturers	47.88
N.126.24	1.5	Clockwise	Flat protrusion	9.5	X	36	30	NO	K9175051	Various manufacturers	55.52
N.126.54	2	Clockwise	Hollow pass	8.5	X	23	30	NO	K9115054	Various manufacturers	47.88
N.126.25	2	Clockwise	Flat protrusion	8.5	X	25	30	NO	K9115062	Various manufacturers	47.88
N.126.12	2	Clockwise	Hollow pass	8.5	Y1	50	40	SI	K9177160	Various manufacturers	55.52
N.126.26	2	Clockwise	Flat protrusion	9.5	X	25	30	NO	K9115068	Various manufacturers	47.88
N.126.13	2	CCW	Hollow pass	8.5	Y1	33	40	NO	K9117057	Various manufacturers	47.88
N.126.53	2.5	Clockwise	Flat protrusion	8.5	X	23	30	NO	K9115101	Various manufacturers	47.88
N.126.55	2.5	Clockwise	Flat protrusion	8.5	X	16	30	NO	K9175160	Various manufacturers	55.52
N.126.41	3	Clockwise	Hollow pass	8.5	S.A.	16	30	NO	K9115122	Various manufacturers	47.88
N.126.70	3	Clockwise	Flat protrusion	8.5	Y	30	40	SI	K9117120	Various manufacturers	47.88
N.126.14	3	Clockwise	Hollow pass	8.5	S.A.	20	26	NO	KB1014	KARMEK ONE and others	76.67
N.126.42	4	Clockwise	Hollow pass	8.5	S.A.	29	40	NO	K9177294	Various manufacturers	55.52
N.126.27	4	Clockwise	Flat protrusion	8.5	X	29	40	NO	K9177290	Various manufacturers	55.52
N.126.08	5	Clockwise	Hollow pass	8.5	S.A.	16	32	NO	KB1008	KARMEK ONE - CADEL - ITALFLAME - BEST FIRE MG and others	77.11
N.126.43	5	CCW	Hollow pass	8.5	S.A.	20	32	NO	KB1010 (replaces KB1004)	KARMEK ONE and others	77.11
N.126.28	5	Clockwise	Flat protrusion	8.5	X	21	40	NO	K9177310	Various manufacturers	55.52
N.126.56	5	Clockwise	Flat protrusion	8.5	X	18	40	NO	K9117156	Various manufacturers	49.84
N.126.59	5	Clockwise	Hollow pass	6 x Ø 8	S.A.	18	40	NO	K9117169	Various manufacturers	47.88
N.126.44	5	Clockwise	Hollow pass	8.5	S.A.	21	40	NO	K9117157	Various manufacturers	47.88
N.126.45	5	Clockwise	Hollow pass	8.5	S.A.	25	40	NO	K9117153	Various manufacturers	47.88
N.126.29	5	Clockwise	Hollow pass	8.5	S.A.	25	40	NO	K9177326	Various manufacturers	55.52
N.126.85	5	CCW	Hollow pass	6 x Ø 8	S.A.	18	40	NO	K9117159	Various manufacturers	49.49
N.126.60	8.5	Clockwise	Hollow pass	8.5	S.A.	14	40	NO	K9117252	Various manufacturers	47.88
N.126.30	8.5	Clockwise	Flat protrusion	8.5	X	15	40	NO	K9177350	Various manufacturers	55.52
N.126.31	8.5	Clockwise	Flat protrusion	8.5	X	17	40	NO	K9117250	Various manufacturers	47.88
N.126.15	8.5	Clockwise	Hollow pass	8.5	Y1	16	40	NO	K9177358	Various manufacturers	55.52
N.126.51	12	Clockwise	Flat protrusion	8.5	X	12	40	NO	K9117304	Various manufacturers	47.88

## Model B with center distance between mounting holes 60.3 mm.

### TYPE "B" MOUNTING - Compatible with: BCZ - KENTA - MELLOR - MK - and others.

- Center distance between the 6 mounting holes **60.3**
- No. 4 holes with M5 x 0.8 thread



Art. N.120

**FOR MISSING CODES OR PRODUCTS YOU CANNOT FIND, CONTACT US**



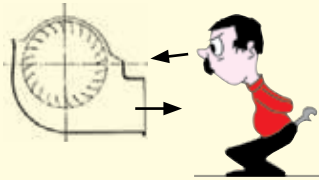
**@ uk@antaresint.com**

**Telephone and WhatsApp  
+44 1227 458 684**

**Art. No. 120 – Gear motor for biomass boilers and stoves with "B" mounting, 60.3 mm centre distance between the six inline holes. Compatible with BCZ, KENTA, MELLOR, MK and other brands – 230 Vac.**

Art. code	Speed RPM	Shaft			Motor pack				Reference	Compatibility	Price £
		Rotation	Configuration	Ø	Config.	Unit	H Pack	Encoder			
N.120.09	1	Clockwise	Flat protrusion	9.5	X	28	19	NO	FB1330 (ex FB1309)	PALAZZETTI - ROYAL - KALOR MCZ - ANSELMO COLA THERMOROSSI and others	76.08
N.120.34	1	Clockwise	Flat protrusion	9.5	X	39	25	NO	FB1334	Various Manufacturers	76.67
N.120.92	1.26	Clockwise	Double Flat protrusion	9.5	X	26	26	NO	FB1392	PALAZZETTI - ROYAL - KALOR MCZ - ANSELMO - COLA THERMOROSSI and others	78.09
N.120.08	1.3	Clockwise	Flat protrusion	8.5	X	27	24	NO	M504/8.5	Various Manufacturers	49.94
N.120.07	1.3	Clockwise	Flat protrusion	9.5	X	27	24	NO	M504/9.5	Various Manufacturers	49.94
N.120.17	1.3	Clockwise	Double Flat protrusion	9.5	X	27	24	NO	M504/9.5DF	Various Manufacturers	49.94
N.120.61	1.3	Clockwise	Hollow Pass	6.1 x Ø 8.1	S.A.	27	24	NO	M504AC	Various Manufacturers	52.14
N.120.71	1.5	Clockwise	Flat protrusion with Positioning Tooth	9.5	X	24	25	NO	FB1171	EDILKAMIN - MONTEGRAPPA ENVIRO FIRE and others	76.67
N.120.04	1.5	Clockwise	Flat protrusion	8.5	X	24	25	NO	FB1222	Various Manufacturers	81.81
N.120.68	1.5	CCW	Flat protrusion	9.5	X	23	19	NO	FB1268	Various Manufacturers	76.08
N.120.16	1.6	Clockwise	Flat protrusion	8.5	X	22	32	NO	M504/8.5	Various Manufacturers	52.14
N.120.20	2	Clockwise	Flat protrusion	9.5	X	28	32	SI	FB1294	Various Manufacturers	81.81
N.120.21	2	Clockwise	Flat protrusion	8.5	X	23	25	SI	FB1324	Various Manufacturers	81.81
N.120.22	2	Clockwise	Flat protrusion	9.5	X	38	32	NO	FB1231	CT PASQUALICCHIO	78.87
N.120.83	2	Clockwise	Flat protrusion	9.5	X	23	25	NO	FB1397 (ex FB1183)	EDILKAMIN - ECOTECK MONTEGRAPPA - ANSELMO COLA ARCE ALBDER - ECOFOREST etc.	76.67
N.120.87	2	Clockwise	Flat protrusion	8.5	X	23	26	NO	FB1187 (ex FB1054)	NORDICA - XIANG - LINCAR and others	78.52
N.120.24	3	Clockwise	Flat protrusion	8.5	X	26	32	SI	FB1249	Various Manufacturers	84.16
N.120.30	3	Clockwise	Flat protrusion	8.5	Z	26	32	SI	FB1285	CLAM	84.16
N.120.18	3	Clockwise	Flat protrusion with Positioning Tooth	9.5	X	26	32	NO	FB1218	VESCOVI - CLEMENTI MONTEGRAPPA and others	78.87
N.120.67	3	Clockwise	Flat protrusion	8.5	X	25	32	NO	FB1167	RAVELLI and others	78.87
N.120.63	3.3	Clockwise	Flat protrusion	9.5	X	26	32	NO	FB1263	MCZ Red Energy and others	78.87
N.120.40	4	Clockwise	Flat protrusion	9.5	X	28	32	SI	FB1271	Various Manufacturers	84.16
N.120.55	4	Clockwise	Double Flat protrusion	9.5	X	28	36	NO	FB1255	Various Manufacturers	78.87
N.120.37	4.75	Clockwise	Flat protrusion	8.5	X	27	38	NO	FB1137	Various Manufacturers	78.87
N.120.46	5.3	Clockwise	Flat protrusion	8.5	X	30	50	NO	FB1146	UNGARO - LINCAR and others	86.51
N.120.60	8	Clockwise	Flat protrusion	8.5	X	20	50	NO	FB1304	Various Manufacturers	86.51
N.120.70	25	Clockwise	Flat protrusion	9.5	X	10	50	NO	FB1390	Various Manufacturers	86.51

# High-temperature tangential fans



## WARNING

The position of the motor is determined by looking at the air outlet in front



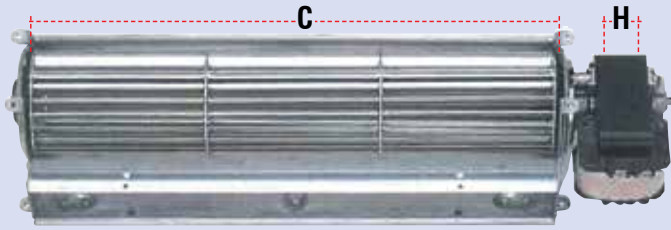
Check out our website

**ANTARES**  
The ideal solution for over 30 years

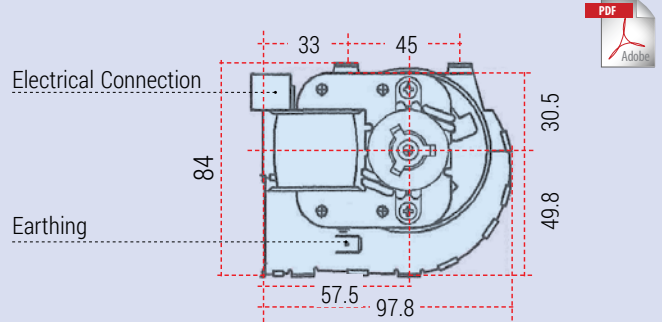


[www.antaresint.com](http://www.antaresint.com)

## Standardized Series – FERGAS



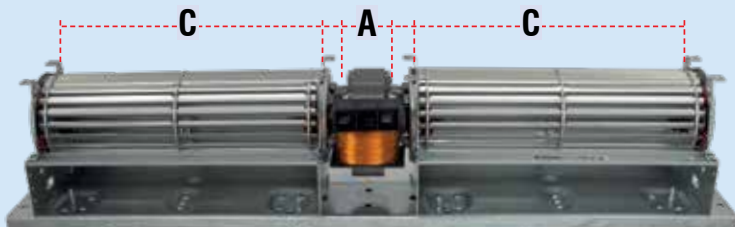
Art. N.601



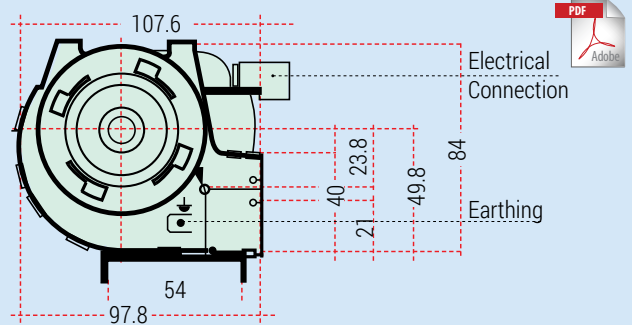
Art. N.601 - FERGAS tangential fan for high-temperature, rotation by reversible motor. Voltage 230V 50 Hz. - Particularly suitable for large air flows and very low noise level.

Art. code	Impeller Ø	Outlet connection	Motor position	Measures mm.		Power W	Insulation class	Manufacturer reference	Price £
				C	H				
N.601.03	45 mm.	300 x 35	Right	304	20	20	F	TGA 45/2 - 300/20	29.90
N.601.06	45 mm.	360 x 40	Right	364	20	27	F	TGA 45/1 - 360/20	27.34
N.601.09	60 mm.	90 x 40	Right	95	15	19	H	TGA 60/1 - 90/15	19.90
N.601.12	60 mm.	120 x 40	Right	124	15	20	H	TGA 60/1 - 120/15	20.33
N.601.18	60 mm.	180 x 40	Right	184	20	27	H	TGA 60/1 - 180/20	22.90
N.601.19	60 mm.	180 x 40	Right	184	30	28	H	TGA 60/1 - 180/30	23.41
N.601.20	60 mm.	180 x 40	Left	184	20	27	H	TGO 60/1 - 180/20	22.90
N.601.24	60 mm.	240 x 40	Right	244	30	37	H	TGA 60/1 - 240/30	27.85
N.601.27	60 mm.	270 x 40	Right	274	20	28	F	TGA 60/1 - 270/20	25.29
N.601.28	60 mm.	270 x 40	Right	274	30	38	H	TGA 60/1 - 270/30	30.26
N.601.29	60 mm.	270 x 40	Left	274	20	34	H	TGO 60/1 - 270/30	26.66
N.601.30	60 mm.	300 x 40	Right	304	20	35	H	TGA 60/1 - 300/30	26.99
N.601.31	60 mm.	300 x 40	Left	304	20	35	H	TGO 60/1 - 300/20	25.01
N.601.32	60 mm.	300 x 40	Right	304	40	52	H	TGA 60/1 - 300/40	28.11
N.601.33	60 mm.	330 x 40	Right	334	40	59	H	TGA 60/1 - 330/40	30.07
N.601.36	60 mm.	360 x 40	Right	364	30	42	H	TGA 60/1 - 360/30	29.14
N.601.37	60 mm.	360 x 40	Right	364	40	53	H	TGA 60/1 - 360/40	42.15
N.601.42	60 mm.	420 x 40	Right	424	30	53	H	TGA 60/1 - 420/30	29.56
N.601.48	60 mm.	480 x 40	Right	484	30	47	H	TGA 60/1 - 480/30	30.42
N.601.80	80 mm.	300 x 44	Left	310	35	87	H	TGO 80/1 - 300/35	60.15

## Double Series – FERGAS



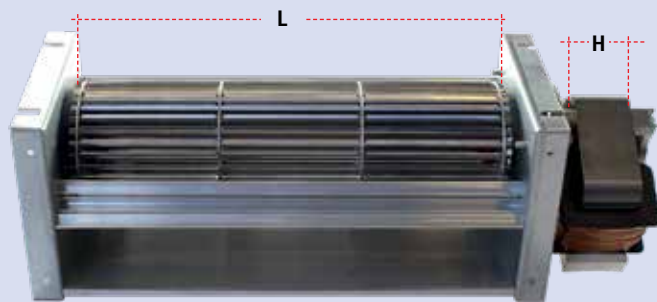
Art. N.610



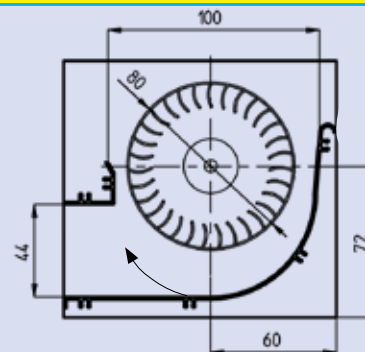
Art. No.610 - FERGAS double tangential fan for high-temperature, impeller diameter 60 mm. Voltage 230 V 50 Hz.

Art. code	C	A	Power W	Insulation class	Flow rate m³/h	Manufacturer reference	Price £
N.610.12	120 x 120	20	23	H	155	TGD 60/1 - 120/20	40.41
N.610.18	180 x 180	20	25	H	168	TGD 60/1 - 180/20	38.29
N.610.24	240 X 240	20	27	H	168	TGD 60/1 - 240/20	44.39
N.610.27	270 x 270	30	53	H	248	TGD 60/1 - 270/30	49.53

## FERGAS Series with side supports

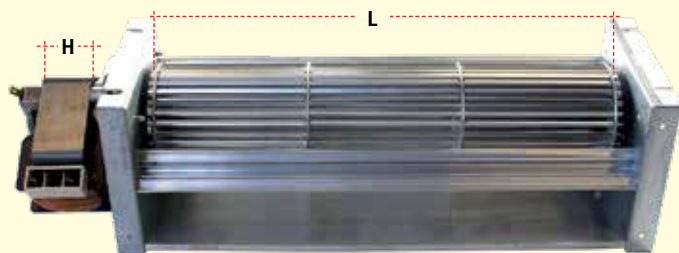


Art. N.604

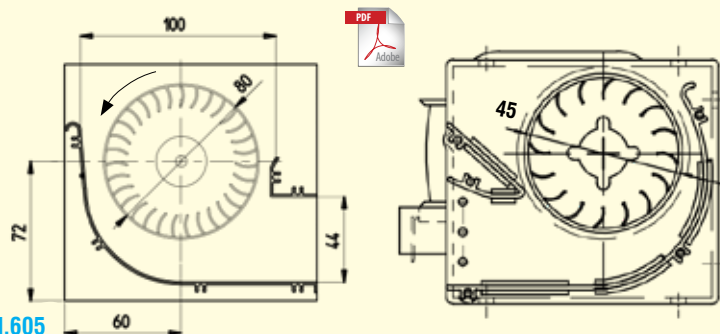


**Art. N.604 - FERGAS tangential fan for high-temperature, motor positioned on the right. Voltage 230 V 50 Hz.**

Art. code	Ø impeller	Fan length L	Air outlet dimension	H motor pack	Power W	Flow rate m <sup>3</sup> /h	Manufacturer reference	Price £
N.604.27	80	270	280 x 44	35	77	428	TGA 80/1 - 270/35	66.82
N.604.25	80	270	280 x 44	35	77	305	TGA 80/1 - 270/35	75.52
N.604.26	80	270	283 x 44	35	115	337	TGA 80/1 - 270/35	75.52
N.604.30	80	300	310 x 44	35	87	250	TGA 80/1 - 300/35	60.15
N.604.33	80	330	344 x 44	35	130	485	TGA 80/1 - 330/35	77.66
N.604.36	80	360	370 x 44	35	33 - 48	251/302	TGA 80/1 - 360/35	74.16

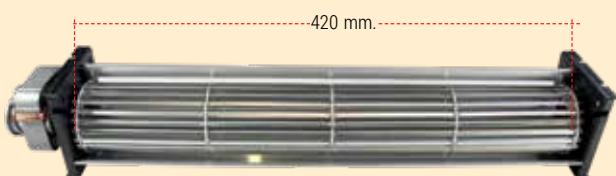


Art. N.605

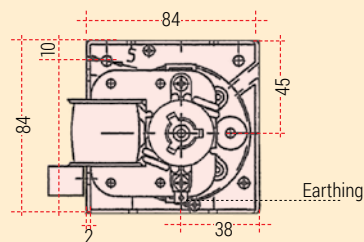


**Art. N.605 - FERGAS tangential fan for high-temperature, motor positioned on the left. Voltage 230 V 50 Hz.**

Art. code	Ø impeller	Fan length L	Air outlet dimension	H motor pack	Power W	Flow rate m <sup>3</sup> /h	Manufacturer reference	Price £
N.605.18	45	180	181 x 45	15	22	92	TGO 45/1 - 180/15	27.60
N.605.25	45	250	250 x 35	20	28	183	TGO 45/1 - 250/20	37.07
N.605.22	80	220	220 x 44	35	70	270	TGO 80/1 - 220/35	74.50
N.605.27	80	270	280 x 44	35	77	305	TGO 80/1 - 270/35	75.44
N.605.28	80	270	283 x 44	35	90	310	TGO 80/1 - 270/35	76.55
N.605.33	80	330	340 x 44	35	78	393	TGO 80/1 - 330/35	69.21
N.605.36	80	360	370 x 44	35	33 - 48	251/302	TGO 80/1 - 360/35	74.16



Art. N.608.42

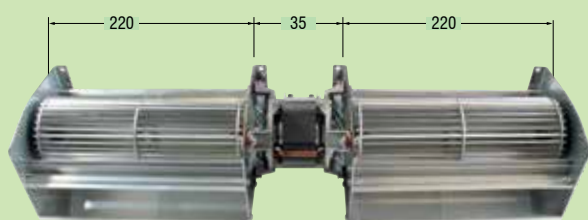


**Art. N.608.42 – Tangential fan for high-temperatures, impeller diameter 60 mm – Voltage 230 V – 50 Hz.**

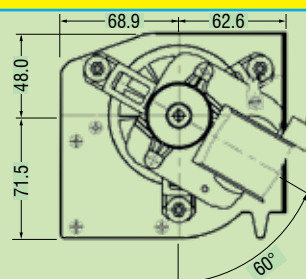
Nozzle diameter: 422 x 42 mm – Fan length: 420 mm – Power: 25 W – Blade pitch: 20 mm – Motor arrangement: R – Insulation class: F – Manufacturer reference: TGA 6013 – 420/20.

Price £ 30.39

## Double-impeller fan with side supports FERGAS



Art. N.609.60



**Art. N.609.60 - Tangential fan with side support FERGAS with double impeller diam. 80 and central motor.**

Air flow rate m<sup>3</sup>/h 600 - 230 Vac. - Watt: 120 – Fergas reference code: 164003

Price £109.10

## Spare parts for fans EMMEVI – FERGAS



Art. N.616



Art. N.617

### Art. N.616 - Motor for tangential fan with screw mounting EMMEVI FERGAS.

For stoves: EDILKAMIN, PELLBOX, LINCAR and others.

Art. code	Rotation	Type	Compatible	Price £
N.616.10	Right	TGA80-53000	EDILKAMIN - PELLBOX and others.	44.57
N.616.20	Left	TG080-52000	EDILKAMIN - PELLBOX and others.	47.00

### Art. N.617 - Silicone drive grommet for fans EMMEVI – FERGAS TGA e TGO.

Art. code	Fan Ø	Reference	Price £
N.617.60	60	1027235	0.71
N.617.80	80	1027240	0.71



Art. N.618.80



For the safety of your profession, **ANTARES** sells exclusively to companies registered in the Chamber of Commerce

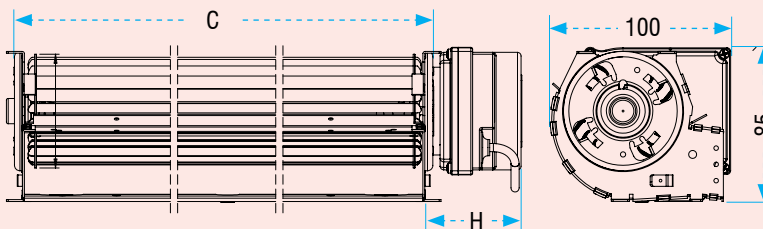


Art. N.618.60

### Art. N.618 - Silicone support grommet for fans EMMEVI – FERGAS TGA e TGO.

Art. code	Fan Ø	Reference	Price £
N.618.60	60	1027061	1.19
N.618.80	80	1027193	4.54

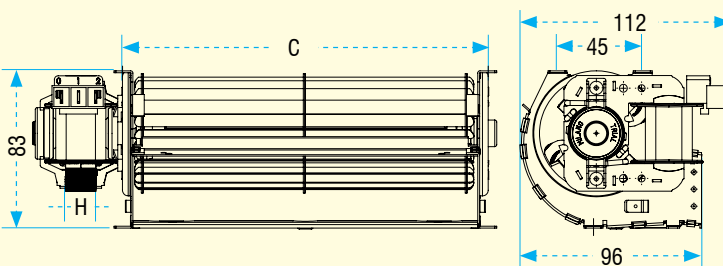
## High-temperature TRIAL tangential fans



Art. N.621

### Art. N.621 - High-temperature TRIAL tangential fan. Voltage 240 Vac - 50/60 Hz. With very low noise level. Single fan Ø 60 mm. With EC motor.

Art. code	Ø impeller	Air outlet	Motor position	Quote mm		Power W	Insulation class	Manufacturer reference	Price £
				C	H				
N.621.20	60 mm	35 x 302	Right	304	54	5.2	A	TMAE-01005L-D7-EX	35.25
N.621.21	60 mm	35 x 366	Right	368	54	9.5	A	TMAE-01005H-D7	38.67



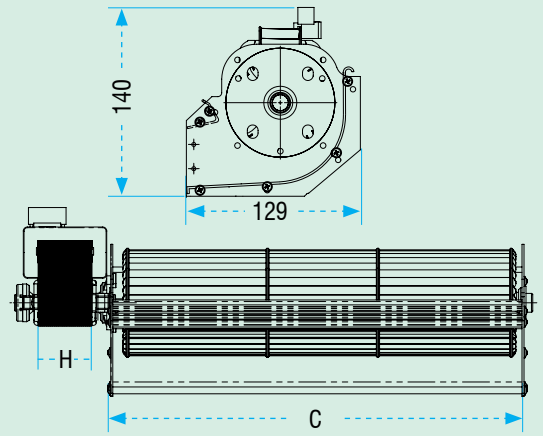
Art. N.623

### Art. N.623 - High-temperature TRIAL tangential fan. Power 240 Vac - 50/60 Hz. With very low noise level. Single fan Ø 60 mm.

Art. code	Ø impeller	Air outlet	Motor position	Quote mm		Power W	Insulation class	Manufacturer reference	Price £
				C	H				
N.623.01	60 mm	35 x 242	Right	253	30	42	H	THS24B6-034	28.15
N.623.02	60 mm	35 x 485	Right	496	30	44	H	THS48B6-002	34.60
N.623.03	60 mm	35 x 366	Right	377	30	45	H	THS36B6-022	30.80
N.623.04	60 mm	35 x 302	Right	313	30	43	H	THS30B6-059	29.75
N.623.05	60 mm	35 x 272	Left	283	30	45	H	THS27B6-013	28.90
N.623.06	60 mm	35 x 182	Left	193	16	31	H	THS18B6-045	22.04
N.623.07	60 mm	35 x 182	Right	193	30	41	H	THS18B6-019	27.76
N.623.08	60 mm	35 x 424	Right	435	30	50	H	THS42B6-005	34.09
N.623.10	60 mm	35 x 272	Right	283	30	45	H	THS27B6-014	28.90



Art. N.625.80



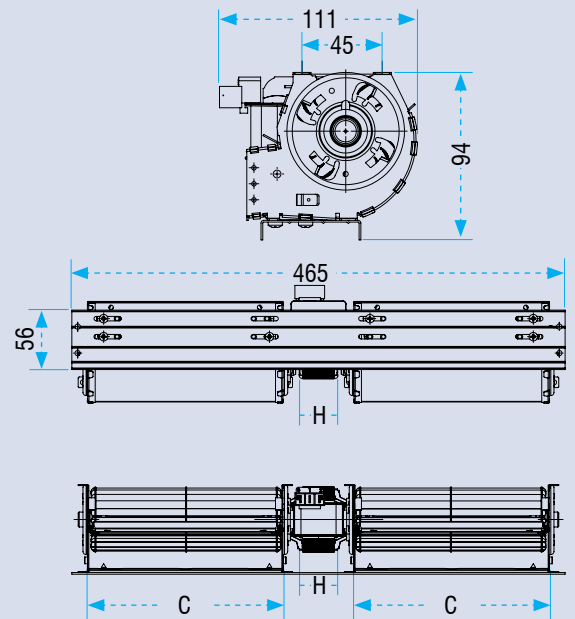
**Art. N.625.80 - High-temperature TRIAL tangential fan. Voltage 240 Vac - 50/60 Hz. With very low noise level. Single fan Ø 80 mm.**

Impeller diameter: Ø 80 mm. Air outlet dimensions: 43 x 304. Motor position: Left. Power 66 W. Insulating class: H. Manufacturer reference: 8A130B-037. Quota C 306 mm. Quota H 40 mm.

Price £ 42.63



Art. N.628.11



**Art. N.628.11 - High-temperature TRIAL tangential fan. Voltage 240 Vac - 50/60 Hz. With very low noise level- Double fan Ø 60 mm.**

Air outlet dimensions: 35 x 182. Power 40 W. Insulating class: H. Manufacturer reference: THD18B6-005. Quota C 193 mm. Quota H 30 mm.

Price £ 39.59

## Axial fans



Art. N.630

**Art. N.630 - Compact axial fans, creates high flow rates with medium heads.**

Art. code	Dimensions mm	Power supply	Power	Price £
N.630.80	80 x 80 x 25	12 V DC	0.07 A	5.33
N.630.81	80 x 80 x 38	230 VaC	15 W	10.47
N.630.92	92 x 92 x 38	230 VaC	12 W	34.62
N.630.12	120 x 120 x 25	230 VaC	18 W	14.63
N.630.13	120 x 120 x 25	12 V DC	0.13 A	11.41
N.630.14	120 x 120 x 38	230 VaC	30 W	14.63

## HOW TO ORDER FROM US

E-mail



[uk@antaresint.com](mailto:uk@antaresint.com)

Telephone



+44 1227 458 684

Website



[www.antaresint.com](http://www.antaresint.com)

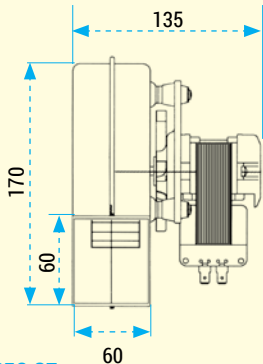
Whatsapp



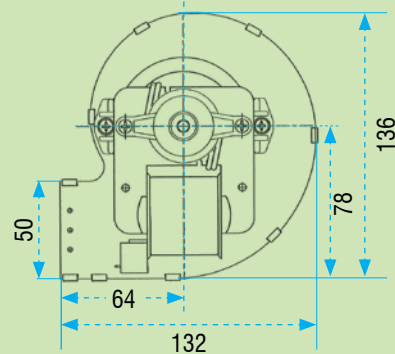
+44 1227 458 684

# Centrifugal fans for biomass systems

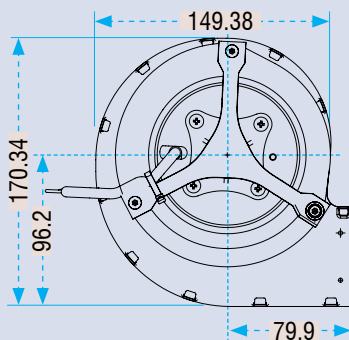
## Models without flange



Art. R.256.27



Art. N.640



Art. N.643.00

**Art. R.256.27 - Centrifugal fan with air vent 60 x 60.**

Diam. fan: 108 – Motor position: left. 230 Vac, 60 W.

Price £ 27.32

**Art. N.640 - Centrifugal fan EMMEVI - FERGAS Type CFA-DA with air vent 108 x 50.**

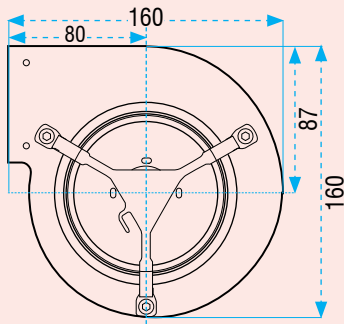
Flow rate 195 m<sup>3</sup>/h - 230 Vac – Without frame. Motor position: right. Measures: 132 x 136 x 108. Compatible: EBM PAPST – TRIAL and others. Used by: NORDICA, CADEL, PALAZZETTI, SICALOR, EDILKAMIN, MCZ, COLA, MONTEGRAPPA and others.

Art. code	Power W	Reference code	Price £
N.640.01	54	CFA-DA 80x83-25	36.97
N.640.02	114	CFA-DA 80x83-35	74.15

**Art. N.643.00 - Centrifugal fan, double aspiration TRIAL type CAD 12R-001 with air vent 146 x 63.3.**

Flow rate 400 m<sup>3</sup>/h - 230 Vac - Power 85 W – Without frame. Measures: 156 x 169 x 162. Compatible: EBM PAPST and others. Used by: NORDICA, CADEL, PALAZZETTI, SICALOR, EDILKAMIN, MCZ, COLA, EVACALOR, RAVELLI, ROYAL, MONTEGRAPPA and others.

Price £ 62.57



Art. N.644.01

**Art. N.644.01 - Centrifugal fan FANDIS type 2GDS15 120X126 without flange, with air vent 126 x 65.**

Compatible: EBM PAPST D2E120 - Measures: 160 x 160 x 146 Voltage: 230 Vac, 101-114 W. Air flow rate: 390 m<sup>3</sup>/h. Used by: NORDICA, EDILKAMIN, CADEL, SICALOR, PALA, MCZ, COLA, EVACALOR, RAVELLI.

Price £ 103.57

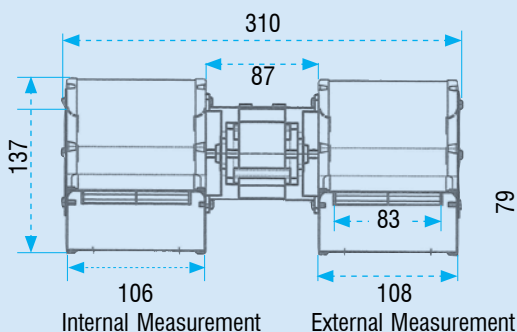


Art. N.646.02

**Art. N.646.02 - Double centrifugal fan with double aspiration FERGAS type CFD-DA 80 x 83 with air vent 2 x 108 x 50.**

Air flow rate: 450 m<sup>3</sup>/h Voltage 230 Vac, 130 W – Shaft with bearings. Measures: 310 x 137 – Used by: IRIS, RAVELLI, EDILKAMIN, PRISMA, SICALOR, ECOFOREST, ITALIANA CAMINI

Price £ 59.66



FOR ANY MISSING CODE OR UNAVAILABLE PRODUCT  
PLEASE CONTACT US

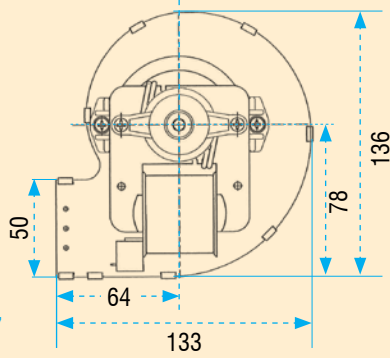
@ uk@antaresint.com

Telephone and WhatsApp  
+44 1227 458 684





Art. N.647



Art. N.647 - Centrifugal fan EMMEVI - FERGAS type CF 80x42-20 with air vent 50 x 63.

Flow rate 114 m<sup>3</sup>/h - 230 Vac - Power: 31 W - Measure: 133 x 136 x 119

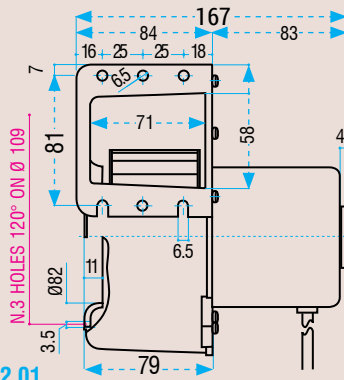
Art. code	Motor position	FERGAS code	Price £
N.647.01	Right	204668	25.08
N.647.02	Left	204861	25.08

### Models with flange

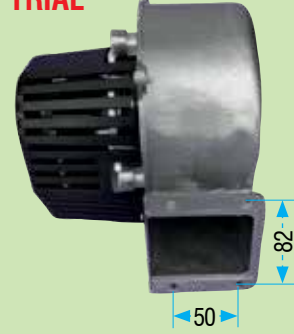
FERGAS



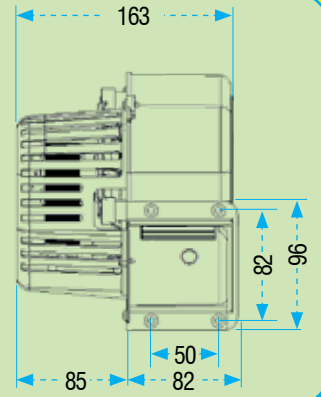
Art. N.642.01



TRIAL



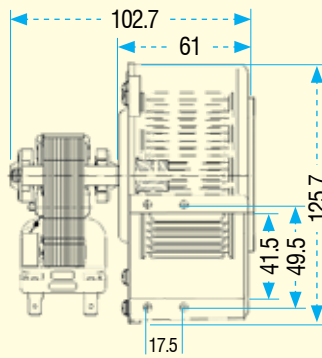
Art. N.645.01



FERGAS



Art. N.648.01



Art. N.642.01 - Centrifugal fan FERGAS - EMMEVI with flange type CF 100 - 35, with air vent outlet 71 x 58.

Measures: 180 X 161 X 167.

Voltage: 230 Vac, 80 W - Air flow rate: 220 m<sup>3</sup>/h.

Price £ 63.15

Art. N.645.01 - Centrifugal fan TRIAL with flange 97 x 55 tipo CAA10Y-001, external air vent outlet 96 x 82.

Voltage: 230 Vac, 56 W - Air flow rate: 190 m<sup>3</sup>/h.

Price £ 38.74

Art. N.648.01 - Centrifugal fan FERGAS - EMMEVI with flange type CF 70 - 20, with air vent outlet 41.5 x 55.

Measures: 125.7 X 117.5 X 102.7.

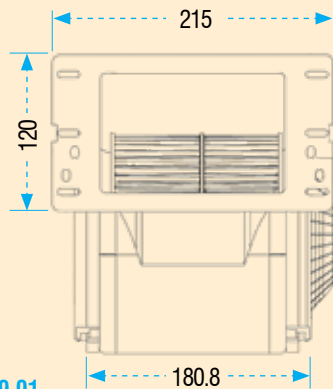
Voltage: 230 Vac - 28 W - Air flow rate: 65 m<sup>3</sup>/h.

Price £ 25.08

NATALINI SIT



Art. N.649.01



Art. N.649.01 - Centrifugal fan NATALINI - SIT GROUP type GT500CE01 - W935050011 for pellet stove. Total length: 210 mm. - Air vent dimension: 160 x 92 mm. Flow rate: 480 m<sup>3</sup>/h Voltage: 230 Vac, 100 W.

Replaces the (out of production) fan GL27DT022 - W93427022

Compatible with the following stoves:

- DEVILLE Ref. D0026732 mod. Armen - Cordouan - Frehel - Penlan - Penmen.
- DEVILLE Ref. D0026605 mod. Kermovan
- PUROS Ref. RI.0030 - NTL45 mod. Minimaya - Maya - Truciolo - Miditruciolo - Supertruciolo - Grazia - Graziosa - Graziosa Ceramica - Ecoviola - Ecolaura.

Price £ 74.73

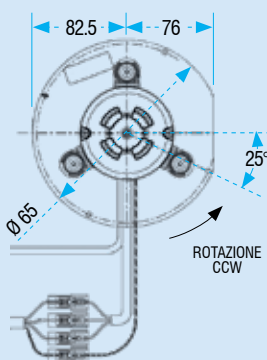
### Models without housing SIT-NATALINI

Ø:150

NATALINI SIT



Art. N.681.20



ATTENTION

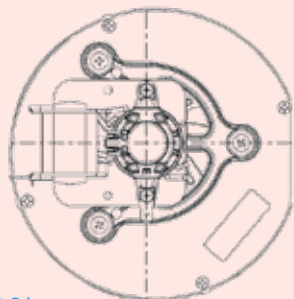
The rotation sense is determined by looking at the fan from up front

Art. N.681.20 - Flue fan SIT GROUP without housing with condenser and encoder type PL20 CE0120 W931200120 with fan diam. 150, for most manufacturers of biomass stoves and thermostoves.

Air flow rate: 160 m<sup>3</sup>/h. Voltage: 230 Vac, 35W. Rotations per minute: up to 2500 RPM. Compatible with models EBM: RR152/0020A15-4225 - RR152/020A22-604- RR152/3030LH.

Price £ 88.89

**Ø:150 NATALINI SIT**



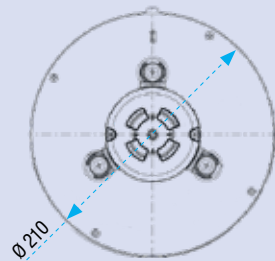
Art. N.683.21

Art. N.683.21 - Flue fan SIT GROUP without housing, shaded-pole, type PL21 CE0130 W931210130 with fan diam. 150, for most manufacturers of biomass stoves and boilers.

Voltage: 230 Vac, 50W

Price £ 65.88

**Ø:180 NATALINI SIT**



Art. N.685.30

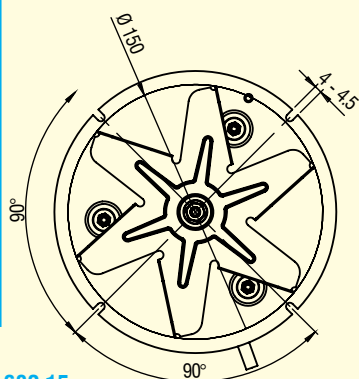
Art. N.685.30 - Flue fan SIT GROUP without housing with condensatore and encoder type PL30 CE0070 W931300070 with fan diam. 180, for most manufacturers of biomass stoves and boilers.

Voltage: 230 Vac, 70W.

Price £ 118.73

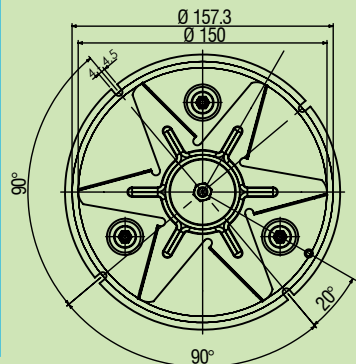
**Models without housing TRIAL**

**Ø:150 TRIAL**



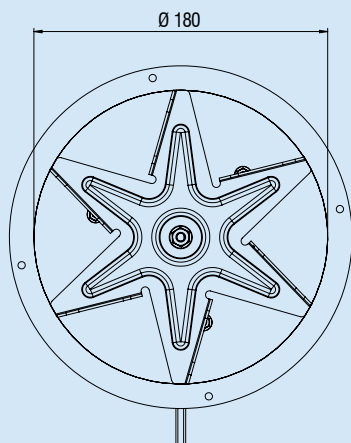
Art. N.682.15

**Ø:150 TRIAL**



Art. N.684.15

**Ø:180 TRIAL**



Art. N.686.18

Art. N.682.15 - Flue fan TRIAL CAF15C.003S without housing, with external motor with encoder, condenser and thermal protection. Voltage 240 Vac. - 50/60 Hz.

CCW rotation - Impeller Ø 150 mm. - Impeller height: 20 mm.  
Fixing flange: Ø 168 mm. Power 32 W.

Price £ 68.16

Art. N.684.15 - Flue fan TRIAL CAF15Y.120S without housing, with shaded-pole external motor with encoder. Voltage 240 Vac. - 50/60 Hz.

CW rotation - Impeller Ø 150 mm. - Impeller height: 20 mm.  
Fixing flange: Ø 166 mm. Power 48 W.

Price £ 30.08

Art. N.686.18 - Flue fan TRIAL CAF18C.001S without housing, with external motor with encoder, condenser and thermal protection. Voltage 240 Vac. - 50/60 Hz.

CCW rotation - Impeller Ø 180 mm. - Impeller height: 45 mm.  
Fixing flange: Ø 210 mm. Power 72 W. Flow rate 400 m3/h.

Price £ 89.84

**Electrical components and accessories of general use**

**Electric motors capacitors**



Art. R.048

Art. R.048 - Pack of 5 electric capacitors.

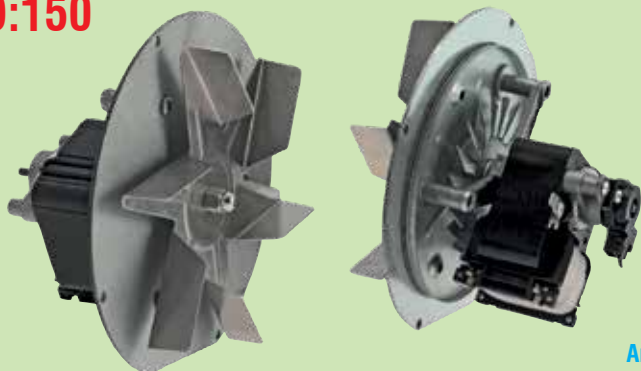
450 V - 50 Hz - 6.3 mm Faston terminals.

Art. code	Capacity $\mu$ F.	Measures $\emptyset$ x Lenght	Price £	Art. code	Capacity $\mu$ F.	Measures $\emptyset$ x Lenght	Price £
R.048.15	1.5	30 x 60	2.81	R.048.10	10	40 x 60	4.53
R.048.20	2	30 x 60	2.96	R.048.14	14	40 x 70	5.41
R.048.25	2.5	30 x 60	3.14	R.048.16	16	40 x 70	6.60
R.048.31	3.15	30 x 60	3.19	R.048.22	20	40 x 70	6.64
R.048.40	4	30 x 60	3.36	R.048.02	25	40 x 80	12.53
R.048.50	5	30 x 60	3.65	R.048.30	30	40 x 80	13.88
R.048.63	6.3	30 x 60	3.89	R.048.35	35	40 x 90	15.41
R.048.80	8	40 x 60	4.14	R.048.41	40	40 x 95	17.11

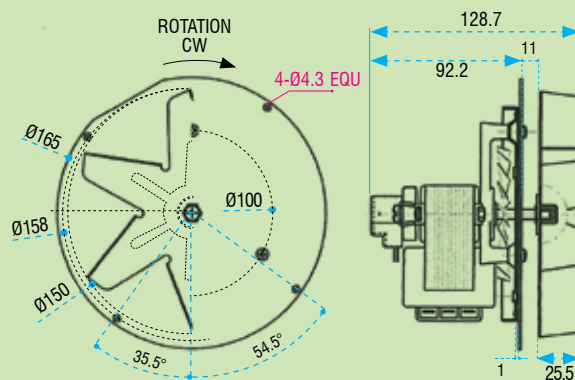
# Flue fans for biomass stoves and boilers

## Models without housing FANDIS

**Ø:150**



Art. N.660.25

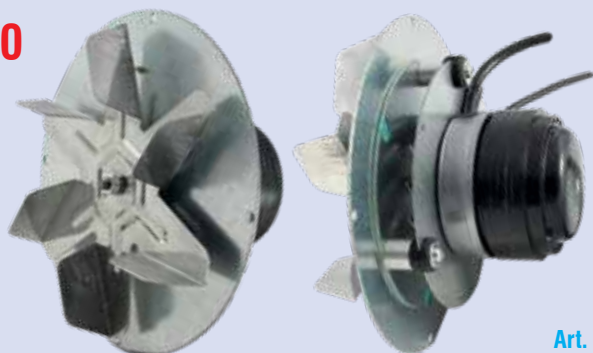


Art. N.660.25 - Flue fan without housing with shaded pole motor, CW rotation FANDIS type YFCN23HTBBSM-V70. Complete of encoder, diameter of impeller: 150 mm, height of impeller: 25 mm, diameter of fixing flange: 165 mm - 230 Vac - 50 Hz - 68 W.

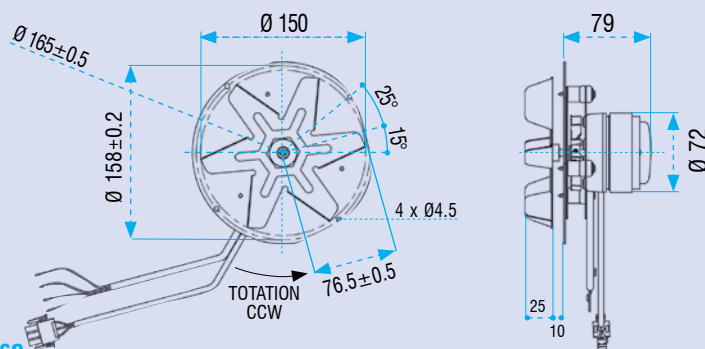
Interchangeable with models: PL20 and PL21 OF L2 Natalini/Sit - RRE15... of EBM PAPST.  
Compatible with apparatus: EDILKAMIN mod. Soleil - KARMEK AMBIENTE - RAVELLI - PUROS.

Price £ 49.85

**Ø:150**



Art. N.662

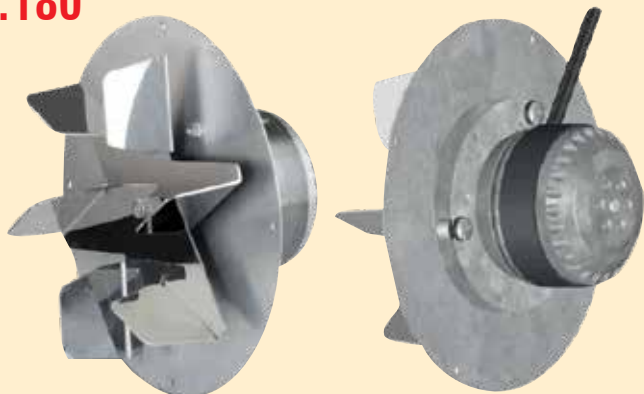


Art. N.662 - Flue fan without shell, CCW rotation, motor with external impeller, encoder incorporated and thermal protection. Complete of condenser diameter of impeller: 150 mm diameter of fixing flange: 165 mm - 230 VAC - 50 Hz.

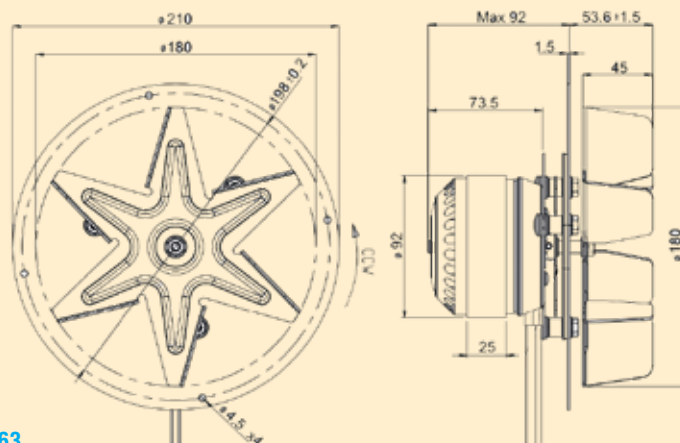
Interchangeable with models: PL20 and PL21 OF L2 Natalini / Sit - RRE 15 of EBM PAPST.  
Compatible with apparatus: EDILKAMIN mod. Soleil - KARMEK AMBIENTE - RAVELLI - PUROS.

Art. code	H Impeller mm.	W	Impeller material	Use	FANDIS reference code	Price £
N.662.25	25	23/27	Stainless steel	Fume extraction	VFC3A23HWFBSO-V100	104.61
N.662.26	25	23/27	Aluminium alloy	Ventilation	VFC2A23HWFBSO-V10	104.61
N.662.31	31	23/27	Aluminium alloy	Ventilation	VFC2C23.....V10	104.61
N.662.40	40	23/27	Aluminium alloy	Ventilation	VFC2G23.....V10	104.61

**Ø:180**



Art. N.663



Art. N.663 - Flue fan without scroll casing, with external rotor motor, with built-in encoder and thermal protection. Complete with capacitor, impeller height: 45 mm., impeller diameter: 180 mm., fixing flange diameter: 210 mm. - 230 Vac - 50/60 Hz.

Interchangeable with models: PL30 of the L2 Natalini/Sit - R2E180... of the EBM PAPST. Compatible with equipment: LAMINOX - EDILKAMIN - EVA CALOR - FERROLI - NORDICA - PALAZZETTI - COLA - MCZ - TERMOVANA.

Art. code	Impeller rotation	Impeller material	W	Code-Reference FANDIS	Price £
N.663.00	Counterclockwise	Stainless steel	72/95	VFC3I23HJBBST-V80	
N.663.01	Clockwise	Stainless steel	72/95	VFC3I23HJBBST	



### ATTENTION

The direction of rotation is determined by the fan's view.

**N.B.**

Other models not included in this catalog can be made available upon request. Please contact us:

[uk@antaresint.com](mailto:uk@antaresint.com)

## Flue fans with housing for biomass stoves and boilers



Art. N.650

### Fergas



Art. N.654.00

Art. N.650 - Flue fan with shielded poly motor, with Fergas scroll casing. Smoke temperature max 200°C - Voltage 230Vac 50Hz - With encoder.

Art. code	Model	Code-Reference FERGAS	Power W	Flow rate m³/h	Price £
N.650.11	VFC1-120/S	I260661-00	34	138	51.80
N.650.12	VFC-120/S VFC1-120/S	I260660-00	34	138	58.97
N.650.13	VFC1-160/S	I261001-00	48	173	60.36
N.650.16	VFC-160/S VFC1-160/S	I260910-00	57	162	65.49

Art. N.654.00 - Kit with brackets and screws for substitution of flue fans Sit/Natalini.

Price £ 3.78

### Natalini - Sit



Art. N.659.01

### Natalini - Sit



Art. N.664.01

Art. N.659.01 - Flue fan L2 Natalini/Sit tipo PL 21 CE0260 with shaded-pole motor complete of housing - Voltage 230Vac 50Hz 50W - with integrated outlet flange diam. 80 mm. Complete of nozzle and Hall sensor (Encoder).

Compatible stoves: NORDICA - MCZ - AMG

Price £ 107.64

Art. N.664.01 - Flue fans L2 Natalini/Sit type PL 21 CE0370 with shielded poly motor complete of scroll casing with flange - Voltage 230Vac 50Hz 50W - with output diam. 80 mm. Complete with nozzle and Hall sensor (Encoder).

Compatible stoves: NORDICA - MCZ - AMG.

Price £ 116.56

### Natalini - Sit



Art. N.665.01



Art. N.666.01

UNIVERSAL ENCODER  
(for all PL21 models)

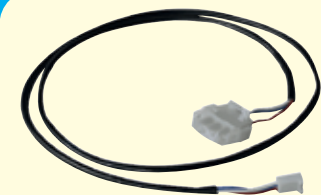
Art. N.665.01 - Flue fans L2 Natalini/Sit type PL 30 CE0050 with capacitor motor, complete with scroll casing - diam.180 mm. Voltage 230Vac 50Hz 70W. Diameter of the nozzle: 100 mm. Complete with Hall sensor (encoder).

Compatible stoves: MONTEGRAPPA - ADLER.

Price £ 187.68

Art. N.666.01 - Encoder (Hall Sensor) with bracket and universal box for all PL 21 models by L2 Natalini/Sit.

Price £ 12.31



Art. N.667.00

Art. N.667.00 - Tripolar cable kit for encoder (Sens. Hall) NL 2 Natalini/Sit, with length 1.000 mm.

Price £ 16.31

## Flue fans gaskets



Art. N.668.00

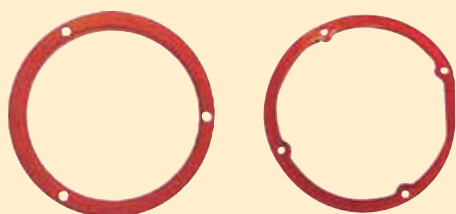


Art. N.669

Art. N.668.00 - Pack of 5 flue fans gaskets in silicone rubber AT.

Fixing on 6 holes. Colour: Red. Compatible stoves: ECOTECK-ADELER - DUERRE KING FIRE.

Price £ 39.98



Art. N.670

Art. N.669 - Pack of 5 flue fans gaskets "Insulfrax". To be used between housing and motor plate.

Art. code	Ø mm. external	Code for fans	Price £
N.669.16	166	N.660.01 (PL 21)	27.24
N.669.21	212	N.663.01* (PL 30)	38.80

\*To be inserted as spacers in quantity of 3 when the housing to which the motor is coupled is made of sheet metal.

Art. N.670 - Pack of 5 rear silicone gasket, colour red, for flue fans.

Art. code	No. fixing holes	Ø mm. external	Ø mm. internal	Price £
N.670.03	3	155	125	18.52
N.670.04	4	160	142	18.52



Art. N.671.04

Visit our  
WEBSITE



www.antaesint.com

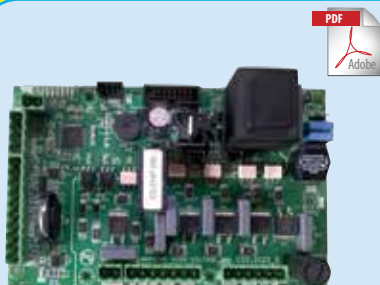
Art. N.671.04 - Pack of 5 front gaskets for flue fans in silicone rubber AT Red.

Fixing on 4 holes.

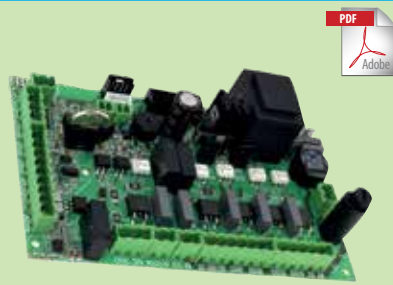
Price £ 28.56

# Control boards for biomass combustion system

## Control boards MICRONOVA



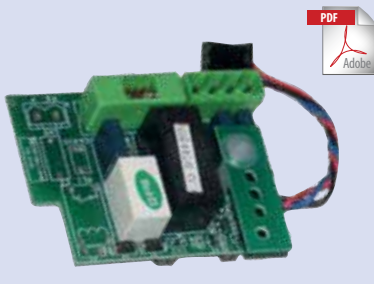
Art. N.351.01



Art. N.353.01



Art. N.355.01



Art. N.361.01



Art. N.362.01



Art. N.363.01



Art. N.370.10



To protect your professional activity, **ANTARES** sells exclusively to businesses registered with the Chambers of Commerce.

Art. N.351.01 - Control boards MICRONOVA type I023\_6 for biomass stoves and boilers

COMPATIBLE: ECO SPAR, BURNIT, ARCE, CADEL, CLAM, ECOTECK, KARMEK ONE, QLIMA, RAVELLI.

Price £ 97.59

Art. N.353.01 - Control boards MICRONOVA type PL023 for pellet stoves ARIA and IDRO.

Compatible: ANSELMO COLA, CADEL (ref. 41451200500), CLAM (ref.05011441), ECOTECK (ref. 55230 -55300), MORETTI (ref. PL023A51),RAVELLI (ref. 55230 -55300).

Price £ 108.85

Art. N.355.01 - Control boards MICRONOVA type I050\_A01 for pellet stoves.

COMPATIBLE: DEVILLE, CADEL, ECOTECK, EMAFLAM, KARMEK, RAVELLI, SICLOR, VULCANIA, PIAZZETTA.

Price £ 75.07

Art. N.361.01 - Control boards MICRONOVA type I055 for pellet stoves.

Extension box for thermoregulators I023\_6 for models Idro for the control of 3-way valve, domestic water heat exchanger, mechanical cleaner etc. Compatible: ANSELMO COLA, ARCE, CADEL, ECOTECK, EDILKAMIN, RAVELLI

Price £ 15.01

Art. N.362.01 - Led display keybox MICRONOVA type PC025\_A07. Embedding: 164 x 46 x 18 mm – Frontal panel: 170 x 53 x 24 mm.

Connected via a flat cable to the C023 control boxes, it allows, through the 6 keys, the programming of the operating parameters and the display of the functions of the electronic thermoregulation box. Compatible with: ARCE (ref. 1611907650), BIASI (ref. BI2355 100), CADEL (ref. COM0266 – 41451303300), DEVILLE (ref. D0026578), ECOTECK (ref. 55080), RAVELLI (ref. 55080), UNGARO (ref. CP00080), ROYAL.

Price £ 42.79

Art. N.363.01 - Led display keybox MICRONOVA type PF047\_D001 Measures: 160 x 50 x 23 mm.

Connected via a flat cable to the C023 control boxes, it allows the programming of the operating parameters and the display of the functions of the electronic thermoregulation box.

Compatible: LAMINOX, ANSELMO COLA, ARCE, CADEL, QLIMA, RAVELLI

Price £ 52.55

Art. N.370.10 - 16-poles flat cable MICRONOVA for thermoregulators. Length: 1.20 mt.

Price £ 6.10

Art. N.365.01 - Air flow-meter MICRONOVA type PK063.

Also called an air flow sensor, it is used in pellet stoves to measure the incoming combustion air in order to optimize combustion. Supplied without cable. Used by: DAL ZOTTO, EDILKAMIN, FERROLI, KARMEK, LAMINOX, NORDICA EXTRAFLAME.

Price £ 13.59

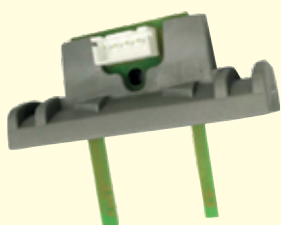
Art. N.371.10 - Connecting cable for air flow-meter Art. N.365.01 MICRONOVA.

Cable length: 0.5 mt. – 4-poles Molex connector.

Price £ 2.73

## Air flow sensor – MAF – Meter Air Flow

MICRONOVA



Art. N.365.01



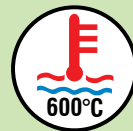
Art. N.371.10

- For air - flue pressure switches see **page 153 (F)**.
- For water pressure switches see **page 154 (F)**.
- For flow switches see **page 163 (F)**.
- For pressure transducers see **page 155 (F)**.
- For capillary thermostats see **page 174 (F)**.
- For immersion thermostats see **page 33 (F)**.

N.B.

N.B.

## Flue systems components for biomass



Art. N.400

### Flue pipes in black varnished stainless steel with assembly components. Single wall

Socket fit system. Thickness of wall 0.4 mm. Components complete of silicined seal. Supplied for usage of smoke system even in positive pressure **P1**.

**APPLICATIONS** Evacuation fumes from stove, pellet and biomass boilers for dry function in positive pressure **P1** with seal, and in negative pressure **N1** without seal.

#### DESIGNATED REGULATION OF PRODUCT ACCORDING TO UNI EN 1856/2/2009

- With seal in positive pressure: T200 P1 W V2 L50040 - 0/50/M
- Without seal in negative pressure: T600 N1 W V2 L50040 - G

#### Pressure level and working temp.

- with seal in positive pressure **P1** (when combustion is assisted by fan): max 200°C.

**Note:** install the seal when the pressure in the pipeline is superior to 40 Pascal.

- Without seal in negative pressure **N1**: max 600°C.

**Note:** remove seal if function is with natural suction or the pressure in the pipeline is less than 40 Pascal, although without compromising the function one could detect unpleasant odours in first few hours of functioning.

Art. N.400 - Straight smoke shaft in black varnished stainless steel single wall thickness 0.4 mm, with socket-fit, supplied with silicinic seal also for positive pressure use P1.

Diameter mm. Ø	80				100				120		
	250	500	1.000	2.000	250	500	1.000	2.000	250	500	1.000
Lenght mm.											
Art. code	N.400.82	N.400.85	N.400.81	N.400.80	N.400.12	N.400.15	N.400.11	N.400.10	N.400.22	N.400.25	N.400.21
Price £	14.92	19.60	23.71	61.54	18.03	23.35	32.49	73.57	20.79	27.11	43.53



Art. N.405



Art. N.406

Art. N.405 - Elbow at 45° degrees M/F single wall for flue pipe in black varnished stainless steel single wall thickness 0.4 mm, supplied with silicinic seal also for positive pressure.

Diameter mm. Ø	80	100	120
Art. code	N.405.80	N.405.10	N.405.20
Price £	16.94	20.97	23.34

Art. N.406 - Elbow at 90° degrees M/F single wall for flue pipe in black varnished stainless steel single wall thickness 0.4 mm, supplied with silicinic seal also for positive pressure.

Diameter mm. Ø	80	100	120
Art. code	N.406.80	N.406.10	N.406.20
Price £	19.08	23.87	25.56



For the safety of your profession, **ANTARES** sells exclusively to companies registered in the Chamber of Commerce



Art. N.413

Art. N.413 - Tee connection F/M/M between flue pipe with male side-fit at 90°, in black varnished stainless steel, single wall thickness 0.4 mm, supplied with silicinic seal also for positive pressure.

Diameter mm. Ø	80	100	120
Art. code	N.413.80	N.413.10	N.413.20
Price £	26.48	33.80	37.60

Art. N.415 - Female-Female for flue pipe, to restore male - female socketing connection, after having cut to measure a straight smoke shaft, in black varnished stainless steel single wall thickness 0.4mm, supplied with silicinic seal also for positive pressure.

Diameter mm. Ø	80	100	120
Art. code	N.415.80	N.415.10	N.415.20
Price £	12.11	15.67	19.56



Art. N.415



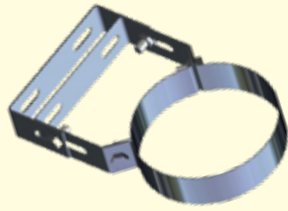
Art. N.418

Art. N.418 - Large wall covering rose for smoke shaft, black varnished stainless steel.

Diameter mm. Ø	80	100	120
Art. code	N.418.80	N.418.10	N.418.20
Price £	7.13	8.50	11.27



Art. N.421



Art. N.422

Art. N.421 - Tap with exhaust discharge in black varnish stainless steel, with siliconic washer.

Type with vertical discharge			
Diameter mm. Ø	80	100	120
Art. code	N.421.80	N.421.10	N.421.20
Price £	29.05	26.62	28.40

Art. N.422 - Adjustable wall clamp in stainless steel.

Diameter mm.	80	100	120
Art. code	N.422.80	N.422.10	N.422.12
Price £	25.95	28.13	30.36



Art. N.425



Art. N.430

Art. N.425 - Discharge terminal with stainless steel anti-intrusion net, to be used in the case of horizontal ejections.

Diameter mm. Ø	80	100	120
Art. code	N.425.80	N.425.10	N.425.20
Price £	6.44	8.11	8.86

Art. N.430 - Vertical stainless steel discharge terminal.

Diameter mm. Ø	80	100
Art. code	N.430.80	N.430.10
Price £	8.11	8.20

Art. N.435 - "Chinese" chimney pot with F. conn., stainless steel. Black varnish.

Diameter mm. Ø	80	100	120
Art. code	N.435.80	N.435.10	N.435.20
Price £	40.31	41.43	42.63

Art. N.460.01 - High temp. black matt varnish spray up to 500°C, can of 400 ml.

Price £ 12.57

Art. N.463 - Pack of 10 siliconic washer specific for smoke work.

Diameter mm. Ø.	80	100	120
Art. code	N.463.80	N.463.10	N.463.20
Price £	9.51	13.57	16.48

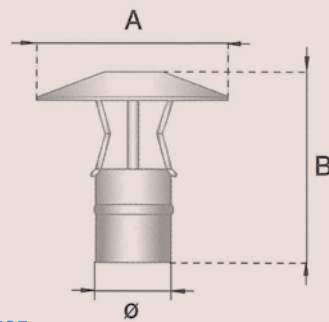
Art. F.296 - Pack of 10 stainless steel collars adjustable in diameter, for the fixing of smoke pipes. With screws, plugs 8 x 40, adjustable spacers. Collar tape: 0.5 x 18. Adjustable distance from the wall: 60 ÷ 100. Shiny stainless steel color.

Diameter regolabile mm. Ø	80 ÷ 140	140 ÷ 200		
Art. code	F296.81	F296.21		
Order quantity ≥	1	25	1	25
Price £ / confezione	85.99	81.46	107.37	101.72

Note: The complete range of collars and brackets can be found from page 174 to page 178(W)



Art. N.435



Art. N.460.01

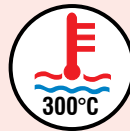


Art. N.463



Art. F.296

## Flue pipes and accessories for vacuuming of pellet and gas stoves and boilers



Art. N.501

Art. N.501 - Length of aluminium tube white varnish, extensible for exhaust air suction in boiler and stove pellet.

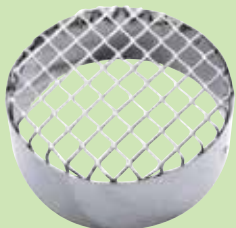
Art. code	Ø mm.	Lenght min.	Lenght max	Price £
N.501.50	50	750	3000	9.69
N.501.80	80	500	3.000	7.37
N.501.00	100	500	3.000	7.72

Art. N.505 - Stainless steel suction grid.

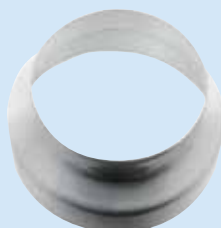
Art. code	Ø Diameter mm.	Price £
N.505.50	50	3.56
N.505.80	80	3.71
N.505.00	100	4.42

Art. N.507.50 - Alluminium reducer neutral colour, diam. 50 to diam. 40 for suction tube.

Price £ 3.51



Art. N.505



Art. N.507.50



Art. N.440



### Polypropylene PP with modular components single wall.

Graft coupling. Wall thickness 2mm. Componente complete with siliconic seal also for positive pressure use P1.

**APPLICATION:** evacuation fumes generated from condensation boilers or from any other type of gas or liquid heat generator where the maximum temperature guaranteed by the combustion products is not superior to 120°C. Can be used for kitchen shafts or air ducts for air expulsion, never over 120°C.

**DESIGNATED LEGISLATION:**

- Description: single wall shaft rigid
- Type of material: translucent polypropylene self extinguishing
- Reference standards: EN 14471
- Temperature level: T.120
- Pressure level: P1
- Fire resistance from within : 0
- Resistance to condensation: W
- Resistance to corrosion: 2
- Seal gasket: Elastomer in EPDM 140°C.

Art. N.440 - Straight flue pipe single wall in rigid polypropylene PP translucent white self-extinguishing with socket fit M.F. fitted and supplied with EPDM gasket

Diameter mm. Ø	60				80			
Lenght mm.	250	500	1.000	2.000	250	500	1.000	2.000
Art. code	N.440.25	N.440.50	N.440.10	N.440.20	N.440.12	N.440.15	N.440.11	N.440.22
Price £	4.23	4.78	7.34	14.96	4.48	5.21	7.95	15.04



Art. N.442



Art. N.443

Art. N.442 - Elbow at 45° M.F. in polypropylene for flue pipe with preassembled gasket in EPDM.

Diameter mm. Ø	60	80
Art. code	N.442.60	N.442.80
Price £	4.16	3.75



Art. N.445



Art. N.448

Art. N.443 - Elbow at 87° M.F. in polypropylene for flue pipe with preassembled gasket in EPDM.

Diameter mm. Ø	60	80
Art. code	N.443.60	N.443.80
Price £	4.16	3.75

Art. N.445 - Inspectionable unit M/F for flue pipe in polypropylene with gasket in EPDM ready assembled.

Diameter mm. Ø	60	80
Art. code	N.445.60	N.445.80
Price £	14.19	14.46



Art. N.450



Art. N.451

Art. N.448 - Condensation drain tap F. x Ø 32 mm for flue pipes in polypropylene with gasket in EPDM ready assembled.

Diameter mm. Ø	60 x 32	80 x 32
Art. code	N.448.60	N.448.80
Price £	6.56	5.86

Art. N.450 - Largening unit M.F. for flue pipe in polypropylene with gasket in EPDM ready assembled.

Diameter mm. Ø	60 F. x 50 M.	80 F. x 60 M.
Art. code	N.450.60	N.450.80
Price £	6.77	6.86



Art. N.453



Art. N.451 - Reducing unit M.F. for flue pipe in polypropylene with gasket in EPDM ready assembled.

Diameter mm. Ø	60 M. x 50 F.	80 M. x 60 F.
Art. code	N.451.60	N.451.80
Price £	8.77	8.86

Art. N.453 - Wall covering dome in white rubber for flue pipe for relevant series.

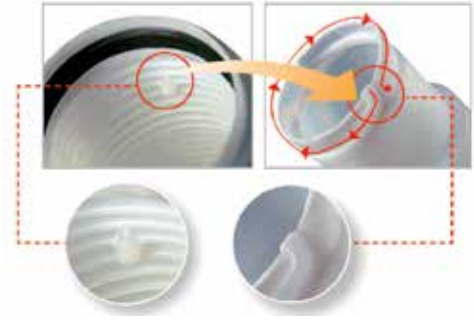
Diameter mm. Ø	60	80
Art. code	N.453.60	N.453.80
Price £		

## Ducted shafts for condensaton boilers



### NOVELTY

Conceived for adjusting the smoke shaft when replacing an old boiler with a condensation boiler. It is sufficient to insert the "Condensing pipe" inside the structure of the wall shaft of the old boiler.



Every meter contains n.1 male and n.3 females (minimum waste). Bayonet type locking system (Ø 60 - 80).

Art. N.455



Art. N.455 - Coil of flexible chimney shaft "Condensing Pipe" in white polypropylene PP for condensing boilers, cooker hoods access and extraction air shafts with temperatures not above 120 °C.

Legislation reference: EN14471 - Pressure level P1 - Resistance to condensation: W - resistance to corrosion: 1/2 - Seal gasket EPDM black

Diameter Ø	60		80	
Length of coil mt.	10	50	10	50
Art. code	N.455.61	N.455.65	N.455.81	N.455.85
Price £	146.22	564.30	153.58	620.52



Art. N.458

Art. N.458 - Gasket EPDM for flex.hose N.455

Art. code	For pipe Ø mm.	Price £
N.458.60	60	1.23
N.458.80	80	1.35

## Maintenance tools and accessories for flue, fireplaces, boilers, biomass stoves

### Sealants and adhesives



Art. N.550



Art. N.551

Art. N.550 - Professional kit composed of a 2.5 mt round braid of black glass yarn of various diameters and a tube of 60 ml high temp. silicone. Max working temp. 350°C.

Suitable for use on ovens, chimneys, stoves and boilers.

Yarn Ø diameter	6	8	10
Art. code	N.550.06	N.550.08	N.550.10
Price £	6.55	7.15	7.99

Art. N.551 - Professional kit composed of a 2.5 mt of black glass yarn with adhesive 3 mm thick in varous widths. Max working temp. 550°C.

Tape width mm	10	15	20
Art. code	N.551.10	N.551.15	N.551.20
Price £	2.64	3.54	4.98



High-temperature

N.B.

For high-temperature silicones, see page 184(W).



FIRE-RESISTANT



Art. N.553



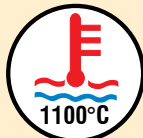
Art. N.555

Art. N.553 - Pack of 5 mt. of round braid of various diameters, in black glass yarn, to be used as a seal on ovens, fireplaces, stoves and boilers. Maximum temperature: 550°C.

Yarn Ø diameter	6	8	10
Art. code	N.553.06	N.553.08	N.553.10
Price £	7.27	9.12	13.47

Art. N.555 - Pack of 5 mt. adhesive tape of various widths, in black glass yarn, to be used as a seal. Ideal for fixing glass on oven doors, fireplaces, stoves and boilers. Maximum temperature: 550°C.

Tape width mm.	10	15	20
Art. code	N.555.10	N.555.15	N.555.20
Price £	14.60	16.94	16.35



Art. F.280

Art. F.280 - Refractory adhesive suitable for temp. up to 1100°C. Immediate and solid adhesion.

Art. code	Package	Content in ml.	Price £
F.280.17	Tube	17	4.22
F.280.70	Tube	70	6.16
F.280.31	Cartridge	310	11.53



Art. F.282.50

Art. F.282.50 - Refractory sealant classified REI 180 suitable for rapid cementing, no smell for temp. up to 1100°C.

Adheres to a vast number of supports even damp concrete plaster metal wood. Cartridge 500 gr.

Price £ 9.30

## High-temperature cables and sheaths



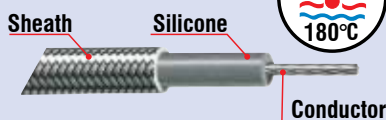
Silicone



Art. N.560



Silicone + Shealt



Art. N.561

Art. N.560 - Pack of 2.5 mt. silicone cable for high-temperatures.

Maximum temperature: 180°C.

Art. code	Cable section mm2	Price £
N.560.15	1.5	2.57
N.560.25	2.5	4.94

Art. No.561 - Pack of 2.5 mt. high-temperature silicone cable protected with sheath in fiberglass fabric.

Maximum temperature: 180°C.

Art. code	Cable section mm2	Price £
N.561.15	1.5	3.60
N.561.25	2.5	5.47

FREE DELIVERY for orders over 680£



Art. N.765

Art. R.765 - Pack of 5 EPDM rubber tubes with sheath

Dimensions	Ø 20 x 25 L 75	Ø 18 x 23 L 75	Ø 18 x 23 L 125
Art. code	R.765.20	R.765.18	R.765.98
Price £	6.33	6.24	7.26



Fiberglass sheath



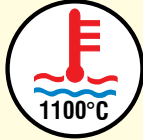
Art. N.565

Art. N.565 - Roll of 2.5 mt sheath made with fiberglass for the protection of cables exposed to high temp.

Max. Temperatur: 250 °C.

Art. code	Internal diameter mm	Color	Price £
N.565.04	4	Red	1.71
N.565.06	6	Red	4.78
N.565.08	8	Red	4.79
N.565.25	25	White	6.54

## Insulating and refractory slabs



Art. N.580

Art. N.580 - Pack of 2 slabs of pressed vermiculite for insulation in stoves, boilers and chimneys.

The vermiculite slabs are resistant to high-temperatures (upto 1100°C) and are the ideal solution for construction and maintenance of fireplaces. They are resistant to fire and high-temperatures. They can be easily cut, drilled, pierced and screwed.

Art. code	Plates thickness mm.	Price £
N.580.65	25	178.46
N.580.60	30	186.54

Art. R.069.02 - Pack of 4 non-asbestos insulation panels (1 m x 0.5 m) for a total of 2 q. m. Thickness: 5 mm.

To produce made-to-measure heat insulation panels for boilers and for the connection between boiler and burner. Max working temp. 700°C.

Price £ 99.94



Art. R.069.02

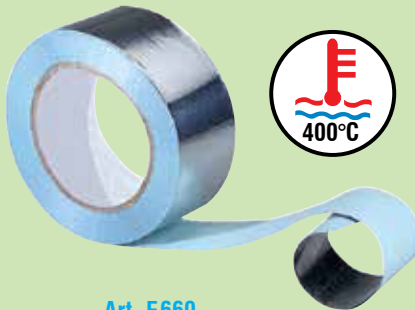
FOR MISSING CODES OR PRODUCTS YOU CANNOT FIND,  
**CONTACT US**

@ [uk@antaresint.com](mailto:uk@antaresint.com)

Telephone and WhatsApp  
**+44 1227 458 684**



## Adhesive tapes



Art. F.660

Art. F.660 - Roll of adhesive aluminium tape suitable for sealing flues avoiding smoke dispersion and carbon monoxide exhalations in aereating shafts and other uses. Length 50 mt. Excellent mechanical resistance. Thickness 0.4 mm Max. temp. 400°C.

Art. code	Color	Width mm	Price £
F660.02	Aluminium	25	9.91
F660.04	Aluminium	50	6.14
F660.12	Black	25	18.17
F660.14	Black	50	36.34



Art. F.661.50



Art. F.668.50

Art. F.661.50 - Roll of adhesive tape in black glass fabric, impregnated with silicone adhesive, suitable for hermetically sealing smoke ducts, avoiding the dispersion of fumes and carbon dioxide fumes. Length: 50 mt. Excellent mechanical resistance. Thickness: 165 micron. Width 25 mm. Maximum temperature: 400°C.

Price £ 34.83

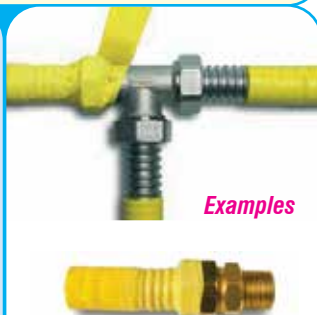
Art. F.668.50 - Adhesive tape made of expanded rubber, with black mesh and closed cells, with protective film to lose. Height 50 mm. - Length 10 mt.

Suitable for the insulation of hot and cold pipes, especially in systems producing and distributing cold and conditioning on special parts and where it is not possible to insulate normally with tubular cups. Thickness 3 mm.

Order quantity ≥	1	10
Price £	4.50	4.28



Art. F.664.10



Examples

Art. F.664.10 - Self-agglomerating protective tape for the parts of the gas pipe where the outer coating has been removed to make the connection. The regulations require these parts to be coated with yellow protective tape.

Width: 25 mm., thickness: 0.5 mm, length: mt. 5.

Price £ 21.38

# Tools and materials for cleaning boilers, stoves and chimneys

## Cleaning brushes



Art. N.570

Art. N.570 - Kit for cleaning the chimney consisting of:

- Flexible steel cable rod with plastic coating, in the indicated length.
- Applicable handle included.
- Round nylon brush in the indicated diameter.

(Other scoops can be purchased separately, see Art. F.638/639).

Rod length: 2 mt.

Brush diameter mm Ø	80
Art. code	N.570.80
Price £	15.30

Rod length: 3 mt.

Brush diameter mm Ø	80	100	120
Art. code	N.570.18	N.570.10	N.570.12
Price £	18.49	18.91	19.12



Art. N.572.25

Art. N.572.25 - Kit for cleaning the chimney consisting of:

- No. 6 polypropylene rods 1 mt. (tot. 6 mt.) with M 12 thread
- Applicable handle included.
- Round scovolo in steel diameter 250.

(Other scoops can be purchased separately, see Art. F.638/643).

Price £ 39.22



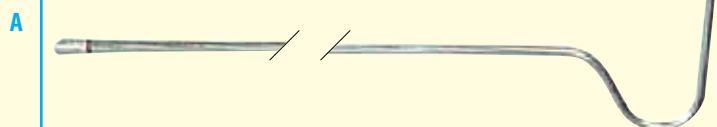
Art. F.638



Art. F.639

Art. F.638 - Round nylon brush with steel pin M12, compatible with all extensions cables.

Ø mm.	30	40	50	60	70
Art. code	F.638.13	F.638.14	F.638.15	F.638.16	F.638.17
Price £	3.05	3.05	3.05	3.05	3.27
Ø mm.	80	100	120	150	160
Art. code	F.638.18	F.638.20	F.638.22	F.638.25	F.638.26
Price £	3.27	3.30	3.25	3.53	3.77
Ø mm.	180	200	250	300	
Art. code	F.638.48	F.638.42	F.638.45	F.638.43	
Price £	4.22	4.58	5.35	7.40	



Art. F.640

Art. F.639 - Round steel brush with stud in steel M12 compatible with all extensions cables.

Ø mm.	30	40	50	60	70	80
Art. code	F.639.30	F.639.40	F.639.50	F.639.60	F.639.70	F.639.80
Price £	2.68	2.68	2.95	2.95	2.95	3.29
Ø mm.	150	180	200	250	300	350
Art. code	F.639.15	F.639.18	F.639.20	F.639.25	F.639.33	F.639.35
Price £	4.90	5.16	6.04	7.43	9.82	12.10

Art. F.640 - Rods and extensions applicable to all brushes with thread M12.

Art. code	LM.e	Type	Material	Lenght	Price £
F.640.00	A	Rod with handle	Galvanized steel	1000 mm.	5.52
F.640.10	B	Extension rod	Galvanized steel	1000 mm.	4.26
F.640.50	C	Extension rod	Galvanized steel	500 mm.	5.04
F.640.11	D	Extension rod	Folding in PPL	1000 mm.	3.78

Art. F.641.10 - Flexible rods with extendible handle, applicable to brushes with thread M12. Length: 1 mt.

Price £ 13.54



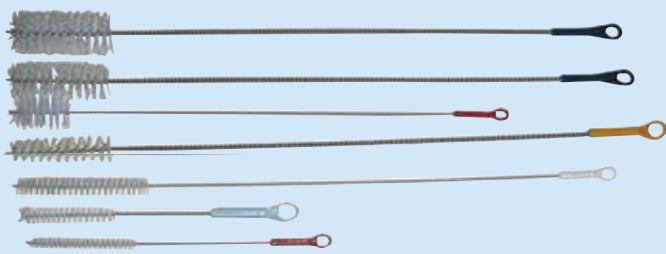
Art. F.641.10

Art. F.643 - Round nylon brush with flexible stud in steel M12 compatible with all extensions.

Diameter mm.	80	100
Art. code	F.643.80	F.643.10
Price £	4.62	3.95



Art. F.643



Art. F.635



Art. F.635 - Pack of n. 5 nylon scoops with length 710 mm.

Art. code	Diameter	Price £
F.635.20	20	4.67
F.635.30	30	4.67
F.635.40	40	5.06
F.635.50	50	5.06



Art. F.626.12

Art. F.626.12 - Pack of n. 5 curved brushes 36 x 10 mm. for internal cleaning of wall boilers.

Price £ 4.35



Art. F.630.60

Art. F.630.60 - Pack of n. 5 PPL brushes Ø 60 mm. Length 420 mm. For internal cleaning of wall-mounted boilers.

Price £ 5.13



Art. F.637.70

Art. F.637.70 - Pack of n. 2 scoops in nylon Ø 70 for cleaning the heat exchanger of gas wall-mounted boilers.

Price £ 2.05

## Vacuums for cleaning boilers and ash extractions



Art. F.733.20

Art. F.733.20 - Professional vacuum cleaner TECO W20S with a 1200 W biphasic motor, for cleaning boilers, with high power, with stainless steel drum of 20 liters. Very limited in weight and footprint, with blower function as well. 230 Vac.

Complete with following accessories:

- Flexible hose 2.5 m • Stainless steel pipe 1 m. • Brush holder • Flat nozzle

Hollow mm.	Air intake m³/h	Weight with trolley	Weight (kg.)
2200	170	670	11

Price £ 308.80

Art. F.734.15 - TECO SET portable vacuum cleaner, particularly suitable for cleaning wall boilers in apartments and cold ash. 230 Vac.

Complete with following accessories:

- Flexible hose of metres 2 • No. 2 suction heads • No. 10 dust bag filters

Motor	Watt	Drum capacity lt.	Weight (kg.)
Dual-phase	1300	9	8

Price £ 167.71

Art. F.735.00 - Packaging of n.10 bag filters for vacuum cleaner Art. F.734.15.

Price £ 19.90

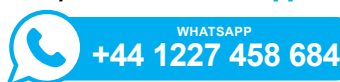


Art. F.734.15



Art. F.735.00

For product information, you can send us messages and photos via **WhatsApp**.



We do not provide product information over the phone. Checking spare part compatibility is a free service to assist the customer with their purchase. We accept no responsibility if the indicated product does not match.

**FREE DELIVERY**  
for orders over **680€**



Contact us for any information:  
[uk@antaresint.com](mailto:uk@antaresint.com)

## Cleaning supplies for boilers and stoves



Art. F.627.00



Art.F.628.02

Art. F.627.00 - Pack of n. 2 brushes, mm. 90 x 170 x 15 thick, for cleaning the exchanger and wall boilers

Price £ 0.87

Art. F.628.02 - Pack of n. 2 rolls of woven paper for cleaning.

Characteristics of each roll: Height 260 mm. - Length 250 meters - Weight Kg. 3.00 x 2 - Tears for roll 715 - Tear length 350 mm.

Price £ 22.93



Art. F.415.00



Art. F.425.05



Art. F.415.00 - 400 ml spray can. of flame cleaner, suitable for cleaning boiler exchangers.

Price £ 6.32

Art. F.425.05 - 5 Kg. container of detergent "Termonet" descaler for boiler combustion chambers.

Concentrated product, designed to easily remove soot deposits and non-combustible scale from the heat exchange surfaces of boilers.

Price £ 22.56



Art. F.426.20



Art. F.429.75



Art. F.426.20 - Pack of 200 g. of powdered mix rods to disgregate soot and unflammable deposits.

Suitable for all types of liquid fuel boilers (diesel, naphtha, kerosene, fuel oil) and solid (wood, coal, pellets). Removes corrosive scale and oxides improving combustion and boiler efficiency, acting in the most inaccessible points of the combustion chamber during operation.

Price £ 9.07

Art. F.429.75 - Degreaser cleaner sprayer for windows of fireplaces, ovens and cooktops.

Dissolves and removes without scrubbing carbon and soot residues from surfaces such as glass of fireplaces, barbecues, ovens and cooktops. Bottle with sprayer 750 ml.

Price £ 5.70

## Flue ducts accessories



For the safety of your profession, **ANTARES** sells exclusively to companies registered in the Chamber of Commerce



Art. E.163.00

Art. E.163.00 - Flue panel with pyrometer holder in coated aluminium.

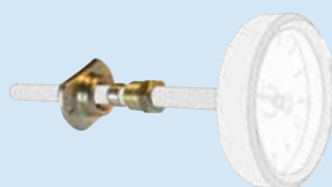
Price £ 50.16

Art. E.164.09 - Brass flange for smoke pipeline with union for insertion with bolt air tight for smoke thermometer with bulb diam. 9 (Art. E.165).

Price £ 5.05



Art. E.164.09



Art. E.165 - Flue pyrometer for flue temperature Ø 60 mm. Range 0° ÷ 500°C.

Probe length mm.	50	100	150	200	300
Art. code	E.165.50	E.165.10	E.165.15	E.165.20	E.165.30
Price £	8.96	9.36	10.35	10.85	11.88

Art. F.730 - Pack of 10 pieces of plugs for flue pipes, for smoke collection probe with silicone gaskets and screws.

For flue type	Simple		Coaxial	
External Ø hole - Internal Ø hole	16 mm. - 9.5 mm.		16 mm. - 9.5 mm.	
Art. code	F.730.80		F.730.86	
Quantity ≥	1	10	1	10
Price £	27.64	26.89	31.52	30.67



Art. E.165



Art. F.730

## Oil burners for small flow rates

Price  
£ 388.93



Art. R.404

### Basics on function.

High pressure mechanical pulverization, assures silence and comfort, even in domestic environments..

### High-efficiency.

This is assured by the special combustion head, easily adjustable, even whilst functioning, guarantees a perfect combustion, without smoke or unburnt residue in compliance with european law 615 against environmental pollution.

### Automatic function.

Controlled by electronic apparatus of high quality, conforming to european leg. VDE and DIN 4787, this allows pre-ventilation, as well as before and after ignition.

**Art. R.404 - Fully automatic single-flame diesel burner type BLACK with automatic air opening and closing. For normal or semi-pressurised fireplaces.**

230 V - 50 Hz - Supplied without nozzle - for the nozzle see Art. R.040 and R.041 on page 188(F).

Art. code	Type	Flow rate kg/h	Power Cal/h	Power kW	Price £
R.404.03	Black 3	1.5÷3	15.000÷30.000	17.3÷34.7	388.93
R.404.05	Black 5	2÷5	20.000÷50.000	23.1÷57.8	393.50

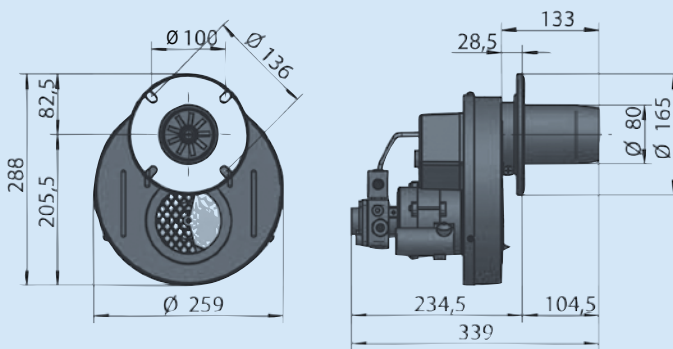
FOR MISSING CODES OR PRODUCTS YOU CANNOT FIND,  
CONTACT US



Telephone and WhatsApp  
**+44 1227 458 684**



**uk@antaresint.com**



## Spare parts burners and boilers

### Control box for diesel burners

#### BRAHMA

##### Series G22



Art. R.000.22

##### Series GF2 GF3



Art. R.001

##### Series GR1 FR1



Art. R.003.01

##### FERROLI Series OS1/PR



Art. R.004.01

**Art. R.000.22 - Control box for control of burners "BRAHMA" type G.22. Pre-ventilation time: 10 sec. Safety time: 10 sec.**

Quantity ≥	1	10
Price £	63.15	61.15

**Art. R.001 - Control box for control of burners "BRAHMA" type GF2 - GF3.**

Art. code	Old description	New description	BRAHMA Code	TW sec.	TS sec.	Price £
R.001.02	GF2 S07	GF2 S10	18048200	10	10	61.28
R.001.03	GF3 S03	GF2 S10	18048300	20	5	63.41

**Art. R.003.01 - Control box "BRAHMA" model GR1 (FR1) for control of diesel burners.**

Price £ 62.98

**Art. R.004.01 - Control box "BRAHMA" model OS1/PR (replaces OF1/R - FERROLI) for control of diesel burners.**

Price £ 175.41

**Art. R.005 - Photoresistor for equipment "BRAHMA", type FC-/R, with diameter 17 mm. , cable length 310 mm.**

Suitable for devices: G22 - GF2 - GF3 - G33 - Detection: 3 7 lux.

Art. code	Type	Quantity ≥	Price £
R.005.00	FC7 with side view	1	13.29
		10	12.87
R.005.01	FC8 with frontal view	1	13.52
		10	13.18



Art. R.005



For the safety of your profession,  
**ANTARES** sells exclusively to  
companies registered in the  
Chamber of Commerce

### Series OR



Art. R.006



Art. R.007.00

Art. R.006 - "BRAHMA" control box for control of diesel burners type OR.  
Pre-ventilation time: 20 sec. Safety time: 5 sec.

Art. code	Type	Price £
R.006.01	DR1 single-flame	62.22
R.006.02	DR2 double flame	59.57
R.006.03	OR3/B	62.65

Art. R.007.00 – Photoresistor for "BRAHMA" device, Model FC 11/R, with 8 mm diameter and 310 mm cable length.

Suitable for units: OR1 – OR2 – OR3 – OR 1/2  
Sensitivity: 3 to 7 lux with front and side aperture.

Price £ 10.65

### Series DR



Art. R.008



Visit our website

[www.antaesint.com](http://www.antaesint.com)

Art. R.008 - "BRAHMA" control box for control of diesel burners type DR.

Art. code	Type	Price £
R.008.01	DR1 mit 1 Flame	70.94
R.008.02	DR2 mit 2 Flames	70.91



Art. R.043

Art. R.043 - Socket for electrical connections of "BRAHMA" control boxes.

Art. code	Type	Suitable for:	Price £
R.043.01	A - N	G 22 - GF 2 - SR 3 - OR 1 OR 2 - VE 3.2 - AT 5 - VM41	10.37
R.043.02	B	G 22 - GF 2 - SR 3 - OR 1 - OR 2 - VE 3.2 - AT 5	7.71
R.043.03	G	CM 191 2 - CM 391 2 - SM 191 2	8.45
R.043.04	NE	VM42 - MF2 - BR5.2V	11.39

### LANDIS & GYR - SIEMENS



Art. R.021



Art. R.025.00

Art. R.021 - Burner control control box "LANDIS & GYR - SIEMENS".

Model	LOA 24.171B27 interchangeable LOA 21 and LOA 22	LMO 44.255C2 interchangeable LOA 44
Art. code	R.021.01	R.021.44
Price £	123.55	88.29

Art. R.025.00 - Photocell for control boxes "LANDIS & GYR - SIEMENS".

Type QRB 1. Cable length: 310 mm.

Price £ 22.75

### SATRONIC - HONEYWELL



Art. R.028



Art. R.029.01

Art. R.028 - Control box for diesel burners "SATRONIC" "HONEYWELL" type TF.

230 V 50 Hz. N.B.: The model TF.802 (2 flames) is interchangeable with the old model TF.701.

Art. code	Model	Price £
R.028.32	TF.832.3 – with photoresistor MZ770S (Art. R.029.01) replaces TF.802	100.67
R.028.34	DK0974 replaces TF.834 - 1 flame with pre-heat	97.97
R.028.36	TF.836 - 2 dual flame with preheater	88.28

Art. R.029.01 - Photoresistor for control box "SATRONIC" "HONEYWELL" MZ770S interchangeable with FZ711S and FZ711G.

With radial and axial view. - Without cable with snap-in socket. White.

Price £ 18.98



For product information, you can send us messages and photos via **WhatsApp**.

WHATSAPP  
+44 1227 458 684

We do not provide product information over the phone. Checking spare part compatibility is a free service to assist the customer with their purchase. We accept no responsibility if the indicated product does not match.



Art. R.030.06

Art. R.030.06 – Cable with angled connector, for "SATRONIC" / "HONEYWELL" photoresistor with 2 poles, length 60 cm.

Price £ 9.46

# Ignition and control boxes for gas burners and boilers

## SATRONIC - HONEYWELL



Art. R.032.05



Art. R.032.33

### Art. R.032. - Control box for gas burners "SATRONIC" "HONEYWELL".

230 V - 50 Hz - Without socket. The model TFI.812.2 is replaceable with the old equipment TFI.712 and TFI.812.1.

Art. code	Type	Prevention time	Safety time	Price £
R.032.05	TFI.812.2	15 s	5 s	114.39
R.032.33	MMI.810.1 mod. 33	30 s	3 s	302.57
R.032.17	17010 AIRFLEX 001	-	-	171.16

### Art. K.090.21 - Control box "SIEMENS - LANDIS & GYR" model LME 21.330 A2, which replaces the interchangeable model LGB 21.

Price £ 107.31

## LANDIS & GYR - SIEMENS



Art. K.090.21

**FREE DELIVERY**  
for orders over  
**680 £**



Contact us for  
any information:  
[uk@antaresint.com](mailto:uk@antaresint.com)

### Art. K.101.06 - Control box "BRAHMA" AT Series for gas burners and boilers

Type: AT5 - TW:15 - TS:5 - Ref.: 18021002.

Price £ 327.38

## BRAHMA Series BOX

### Series AT



Art. K.101.06

### Series CE



Art. K.103

### Series CM



Art. K.105

### Series MM



Art. K.107.01

### Series SE



Art. K.108.24



@ [uk@antaresint.com](mailto:uk@antaresint.com)

Telephone and WhatsApp  
**+44 1227 458 684**

FOR MISSING CODES OR  
PRODUCTS YOU CANNOT FIND,  
**CONTACT US**

### Art. K.103 - Control box "BRAHMA" CE Series for gas burners and boilers.

Art. code	Type	TW	TS	Reference	Price £
K.103.04	CE1914	20	10	20658281- FRACARRO, etc.	55.90
K.103.06	CE1914	1.5	10	20656331	56.67
K.103.08	CE3914	30	5	30658621- FRACARRO, etc.	68.29

### Art. K.105 - "BRAHMA" CM Series control box for gas burners and boilers.

Art. code	Type	TW	TS	Reference	Price £
K.105.00	CM1911	1.5	10	20080001 BERETTA/VOKERA, RIELLO, ecc	67.05
K.105.01	CM1912	1.5	10	20083301 IMMERGAS, RIELLO, SIME, FINTERM	70.21
K.105.02	CM1912R	30	10	20085601 ROBUR, etc.	67.30
K.105.03	CM1913	1.5	10	20086601 ROBUR, etc.	63.97
K.105.05	CM381N.4	5	5	30030691	75.46
K.105.07	CM3912	1.5	10	30182801 STARGAS, BERETTA/VOKERA, ecc	77.90
K.105.10	CM3912B	10	10	30184121 BERETTA/VOKERA, etc.	77.12

### Art. K.107.01 - Control box "BRAHMA" model MM 191.4 for burners and gas boilers.

Brahma code: 22089901 - Compatible with Beretta/Vokera and others - TW=1.5 - TS=10

Price £ 106.29

### Art. K.108.24 - Control box "BRAHMA" model SE 192.4, for burners and gas boilers.

Brahma code: 24789303 - TW = 10 - TS = 10

Price £ 63.81

### Series SM



Art. K.110

### Series SR



Art. K.112

### Series VE



Art. K.113.32

### Series VM



Art. K.114.41

**N.B.**

**TW** = Prevention time in seconds

**TS** = Safety time for stop in seconds



To protect the profession, **ANTARES** sells exclusively to members who are registered in the Chamber of Commerce professional register.

## BRAHMA Series EUROFLAT

### Series CE



Art. K.130.05

### Series CM



Art. K.132

### Series SM



Art. K.134

### Series HS



Art. K.136.16

#### Art. K.134 - Control box "BRAHMA" SM Series for gas boilers.

Art. code	Type	TW	TS	Reference	Price £
K.134.01	SM 11	1.5	10	24080005	64.59
K.134.02	SM 11	5	10	24080665 - RIELLO, etc.	65.83

#### Art. K.110 - Control box "BRAHMA" SM Series for gas burners and boilers.

Art. code	Type	TW	TS	Reference	Price £
K.110.01	SM152.2	5	10	24283961	74.06
K.110.02	SM191.1	1.5	10	24080001 BERETTA/VOKERA, RIELLO, etc.	76.02
K.110.03	SM191.2	1.5	10	24083301 BERETTA/VOKERA, RIELLO, etc.	75.37
K.110.04	SM192.2	1.5	10	24283301	75.37
K.110.05	SM192.4	1.5	50	24389401	76.78
K.110.06	SM352	10	5	18000401	337.50
K.110.07	SM592.2	30	5	36225421	64.92
K.110.08	SM592.2	1.5	10	36283301	70.14
K.110.09	SM592.2	5	10	36283961	66.13
K.110.10	SM592.S	1.5	5	36223321	92.27

#### Art. K.112 - Control box "BRAHMA" SR Series for gas burners and boilers.

Art. code	Type	TW	TS	Reference	Price £
K.112.01	SR 3	30	3	18000002	331.80
K.112.02	SR3CMO	0	10	18033001	261.29
K.112.03	SR3CM15	10	5	18033601	289.15
K.112.04	SR3CMF	0	10	18034952 FERROLI - THERMOVANA etc.	127.89
K.112.05	SR3/RBO	30	3	18037052 BERETTA/VOKERA - RIELLO, ecc	276.79
K.112.06	SR3TR	0	10	18024011	282.01
K.112.07	SR3TRO	0	10	18024601	98.50

#### Art. K.113.32 - "BRAHMA" Series VE 3.2 control box for burners and gas boilers.

Brahma code: 18006005 - TW=30 - TS=2.

Price £ 424.24

#### Art. K.114.41 - "BRAHMA" VM series equipment for gas burners and boilers.

Type: VM 41 - Brahma code: 37200031 - TW=30 - TS=3.

Price £ 99.86

#### Art. K.130.05 - "BRAHMA" gas burner control box, CE 11 Series, for gas boilers.

Brahma code: 20653005 - TW=1.5 - TS=10.

Price £ 54.87

#### Art. K.132 - "BRAHMA" gas burner control box, CM Series, for gas boilers.

Art. code	Type	TW	TS	Reference	Price £
K.132.01	CM 11	1.5	10	2008005 - IMMERGAS - FONDITAL - RIELLO - ICI, etc.	60.58
K.132.02	CM 11	30	10	20082325	60.59
K.132.03	CM 11/10	1.5	10	20080306 - IMMERGAS, etc.	63.52
K.132.04	CM 31	30	5	30082315 - ACCORONI, ecc	65.18
K.132.05	CM 31	1.5	10	30179535 - FONTECAL - RIELLO - IMMERGAS - SILE, etc.	69.52
K.132.07	CM 32	1.5	10	30379515 - IMMERGAS, etc.	73.17
K.132.08	CM 32	1.5	5	30379535 - TAERNOMATIC, etc.	67.04
K.132.09	CM 32	1.5	60	30399805 - BERETTA/VOKERA - SYLBER, etc.	72.22
K.132.10	CM 32CS PAR	5	30	30383495 - SIME - MTS/ARISTON, etc.	99.83

#### Art. K.136.16 - Control box "BRAHMA" model HS31 for gas boilers.

Code Brahma: 30022416 - TW=30 - TS=5.

Price £ 114.25

## BRAHMA Series MICROFLAT

### Series CE



Art. K.140.14

### Series NDM



Art. K.141

### Series CM



Art. K.142



### Series SM



Art. K.144

### Series TM



Art. K.146



### Series XM



Art. K.148



### Series FM



Art. K.149



### Series ECM



Art. K.153.00

### Wiring-Kit



Art. R.042



For original temperature probes see on page 106 (F)

Art. R.042 - Kit of accessories for the wiring of "BRAHMA" control boxes type EUROFLAT, MINIFLAT, MICROFLAT.

Type for:	CM 11 - CM 11 U CM 11 F12	CM 11 FR	CM 31 FR	CM 31 - CM 31 U CM 31 F12 - CM 31 F
Art. code	R.042.01	R.042.12	R.042.14	R.042.31
Price £	1.61	1.82	2.33	2.13
Type for:	CM 32 PR CM 32 POR	CM 32 CM 32 CSP-AR	FM 11	FM 31
Art. code	R.042.17	R.042.42	R.042.32	R.042.33
Price £	2.43	2.55	2.13	3.21
Type for:	SM 11 - SM 11 FRH	TM 11 CM 11 F/O	TM 31 TM 31 FH	
Art. code	R.042.11	R.042.41	R.042.43	
Price £	2.04	1.70	2.25	

Art. K.140.14 - Control box "BRAHMA" model CE31F/R for gas boilers.

Brahma code: 37173614 - TW=1.5 - TS=10 -Compatible with BAXI, etc.

Price £ 84.58

Art. K.141 - Control box "BRAHMA" Series NDM for gas boilers.

Art. code	Type	TW	TS	Reference	Price £
K.141.11	NDM 11 PR	30	5	37505006	67.04
K.141.32	NDM 32	20	5	37565010	82.17

Art. K.142 - Control box "BRAHMA" Series CM for gas boilers.

Art. code	Type	TW	TS	Reference	Price £
K.142.01	CM11F	1.5	5	37100204	66.28
K.142.02	CM11F	1.5	10	37100211	63.66
K.142.03	CM11F	30	10	37100252 - ROBUR, etc.	65.36
K.142.04	CM11F12	1.5	10	37100213 - IMMERGAS, etc.	63.66
K.142.05	CM11F/O	1.5	10	37146211 - IMMERGAS, etc.	65.80
K.142.07	CM11U	1.5	10	37050010	63.32
K.142.10	CM31F	1.5	10	37106211	69.62
K.142.11	CM31F	5	10	37106215	70.69
K.142.12	CM31F12	1.5	10	37106206	65.48
K.142.14	CM31/U	1.5	10	37056010	65.48
K.142.15	CM31/U	30	10	37056014 - ITALKERO, etc.	64.86
K.142.18	CM32F	20	10	37109240	79.31
K.142.20	CM32PR	5	5	37180625	56.17
K.142.21	CM32PR	30	5	37180677	53.92
K.142.22	CM32PR	30	10	37180685 - ROBUR, etc.	54.77

Art. K.144 - Control box "BRAHMA" SM Series for gas burners and boilers.

Art. code	Type	TW	TS	Reference	Price £
K.144.11	SM 11 F	1.5	10	37112211 - PENSOTTI, etc.	69.10
K.144.14	SM 11 FR	1.5	10	37172414 - SARIGAS, etc.	99.96
K.144.12	SM 11 FRH	1.5	10	37112012	69.82

Art. K.146 - Control box "BRAHMA" TM Series for gas boilers.

Art. code	Type	TW	TS	Reference	Price £
K.146.01	TM11	1.5	10	37059010 - ARCA - JOANNES, etc.	57.29
K.146.02	TM12	1.5	10	37062010 - RIELLO, etc.	70.27
K.146.04	TM31	1.5	10	37065010 - ARCA - EUROTERM - JOANNES, etc.	65.69
K.146.05	TM31F	1.5	10	37137212	65.54

Art. K.148 - Control box "BRAHMA" Series XM for gas boilers.

Art. code	Type	TW	TS	Reference	Price £
K.148.01	XM11/F	1.5	5	37068002 - FERROLI	57.16
K.148.03	XM12	1.5	10	37071010	73.61

Art. K.149 - Control box "BRAHMA" FM Series for gas boilers.

Art. code	Type	TW	TS	Reference	Price £
K.149.11	FM11	1.5	10	37010010 - SIME	70.38
K.149.31	FM31	5	10	37030015 - SIME	71.81

Art. K.153.00 - "BRAHMA" control box for gas burners type ECM 113 - 40000002 - TW 1.5 - TS 3.

Handles the safety of 3 flames at the same time.

Price £ 116.28

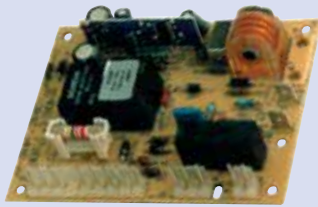
## HONEYWELL ignition and control boards

Series S4560



Art. K.200

Series S4561



Art. K.202.02

### Art. K.200 - Ignition and control board "HONEYWELL" Series S4560, for gas boilers.

Art. code	Model	Compatible	Price £
K.200.01	S4560A1008	ICI - ZANUSSI	118.91
K.200.02	S4560C1004	ICI	153.03
K.200.03	S4560C1012	-	97.12
K.200.05	S4560D1010	BONGIOANNI	128.02
K.200.06	S4560B1006	-	164.86

Series S4562



Art. K.203

Series S4564



Art. K.204.06

### Art. K.202 - Ignition and control board "HONEYWELL" Series S4561, for gas boilers.

Model: S4561A1015 - Compatible per: FER - FERROLI.

Price £ 166.24

### Art. K.203 - Ignition and control board "HONEYWELL" Series S4562, for gas boilers.

Art. code	Model	Compatible for	Price £
K.203.03	S4562DM1006	FERROLI	182.57
K.203.04	S4562DM1022V01	FERROLI	115.54

### Art. K.204.06 - Ignition and control board "HONEYWELL" Series S4564, for gas boilers.

Code Honeywell: S4564BF1006. Compatible: Ferrolì 39813610.

Price £ 97.97

Series S4565



Art. K.205

### Art. K.205 - Ignition and control board "HONEYWELL" Series S4565, for gas boilers.

Art. code	Model	Compatible	Price £	Art. code	Model	Compatible	Price £
K.205.02	S4565A2019	RADIANT	122.29	K.205.16	S4565CD1021	UNICAL	98.97
K.205.03	S4565A2050	CMI	189.86	K.205.18	S4565CD1039	HERMANN - UNICAL - VAILLANT	135.13
K.205.06	S4565AF1064	RIELLO - CALORTECNICA - THERMITAL	167.96	K.205.19	S4565CF1045	BERETTA/VOKERA - HERMANN - RIELLO - SIME - SYLBER	156.75
K.205.35	S4565BF1112	BERETTA - RIELLO	108.10	K.205.21	S4565CF1029	-	131.98
K.205.09	S4565BF1054	THERMITAL	186.48	K.205.24	S4565CM1047	BONGIOANNI	255.94
K.205.10	S4565BF1062	THERMITAL	84.46	K.205.27	S4565DD1045	HERMANN	80.23
K.205.88	S4565BF1088	FERROLI	161.48	K.205.34	S4565TM1021	VAILLANT	185.21

## HOW TO ORDER

**ON-LINE  
SHOP**

Our our e-commerce website  
**www.antaresint.com**



**DIRECT AND IMMEDIATE ORDERS**

If you order **"ON-LINE"** or over the phone, you have have immediate confirmation of articles availability and have them put aside for you

**Series S4567**



**Art. K.208**

**ANTARES**

The proven choice for over 30 years.



**Art. K.208 - Ignition and control board "HONEYWELL" Series S4567, for gas boilers.**

Art. code	Model	Compatible	Price £
K.208.10	S4567A1019	Various brands	<b>104.05</b>
K.208.67	S4567B1017	Beretta/Vokera	<b>98.15</b>

**Series S4575**



**Art. K.212.41**

**Series S4585**



**Art. K.214.03**

**Art. K.212.41 - Ignition and control board "HONEYWELL" Series S4575, for gas boilers.**

Code Honeywell: S4575B1041-2. Compatible: Savio, Lamborghini, Ferroli, and others

**Price £ 102.70**

**Art. K.214.03 - Ignition and control board "HONEYWELL" Series S4585, for gas boilers.**

Honeywell code: S4585D1003 Compatible: Beretta/Vokera - Riello - Ferroli

**Price £ 82.40**

**Series S4962**



**Art. K.216**

**Series S4965**



**Art. K.218.08**

**Art. K.216 - Ignition and control board "HONEYWELL" Series S4962**

Art. code	Model	Compatible	Price £
K.216.04	S4962CM1004V	-	<b>167.56</b>
K.216.20	S4962CM2020	BOSCH 8708300244	<b>141.89</b>

**Art. K.218.08 - Ignition and control board "HONEYWELL" Series S4965.**

Honeywell code: S4965R3084 Compatible: FERROLI and Others.

**Price £ 136.48**

**Series SM114**



**Art. K.220**

**Series SM165**



**Art. K.222**

**Art. K.220 - Ignition and control board "HONEYWELL" model SM114, for gas valves**

Art. code	Model	Compatible	Price £
K.220.47	SM114.47	BAXI	<b>176.34</b>
K.220.50	SM114.50	BAXI	<b>166.89</b>
K.220.69	SM114.69	BAXI, Ecofour 1.14/1.14 F/1.24/1.24 F/24/24 F Fourtech 1.14/1.24/24/24 F, Mainfour 24/24 F/240 F, Various models.	<b>140.53</b>

**Series W4115**



**Art. K.226**

**Series W7075**



**Art. K.229.26**

**Art. K.222 - Ignition and control board "HONEYWELL" Series SM165.**

Art. code	Model	Compatible	Price £
K.222.01	SM16501	FERROLI	<b>170.94</b>
K.222.02	SM16502	FERROLI	<b>210.8</b>
K.222.03	SM16503	FERROLI	<b>196.61</b>
K.222.04	SM16504	FERROLI	<b>189.86</b>

**Art. K.226 - Ignition and control board "HONEYWELL" Series W4115.**

Art. code	Model	Compatible	Price £
K.226.01	W4115B1192	FERROLI, etc.	<b>122.36</b>
K.226.04	W4115B1333	FERROLI	<b>158.97</b>
K.226.06	W4115BM1008	BERETTA/VOKERA	<b>186.72</b>

**Art. K.229.26 - Ignition and control board "HONEYWELL" Series W7075.**

Model W7075C1126. Compatible for FERROLI, etc.

**Price £ 211.45**



For full range of HONEYWELL probes, please see **page 107 (F)**.



## SIT ignition and control boards

### Series 503



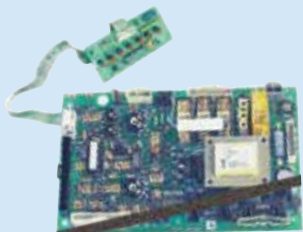
Art. R.950

### Series 537



Art. R.953

### Series 550



Art. R.955.27

### Series 577



Art. R.956

### Series 579



Art. R.957

**FREE DELIVERY**  
for orders  
over **680€**

Contact us  
for any information:  
[uk@antaresint.com](mailto:uk@antaresint.com)



**FOR ANY MISSING CODE OR UNAVAILABLE PRODUCT  
PLEASE CONTACT US**

@ [uk@antaresint.com](mailto:uk@antaresint.com)

Telephone and WhatsApp  
**+44 1227 458 684**



Visit our website  
[www.antaresint.com](http://www.antaresint.com)



**ANTARES**  
The ideal solution for  
over 30 years



For the safety of your profession,  
**ANTARES** sells exclusively to  
companies registered in the  
Chamber of Commerce

### Art. R.950 - Ignition board SIT Series 0.503, for gas boilers.

Art. code	Type	TW	TS	Reference	Price £
R.950.11	0.503.001	30	10	BERETTA/VOKERA - CALORTECNICA	222.53
R.950.03	0.503.003	1.5	10	-	222.53
R.950.05	0.503.005	1.5	30	-	222.53
R.950.06	0.503.006	1.5	7.5	BERETTA/VOKERA - RIELLO	222.53
R.950.10	0.503.101	1.5	7.5	SIME	222.53
R.950.04	0.503.104	10	5	RIELLO	222.53
R.950.01	0.503.501	10	5	BERETTA/VOKERA - (ALURTECNICA)	222.53
R.950.02	0.503.602	1.5	10	SIME	222.53
R.950.73	0.503.703	1.5	60	-	182.68

### Art. R.950 - Ignition board SIT Series 0.503, for gas boilers.

Art. code	Type	TW	TS	Reference	Price £
R.953.02	0.537.002	1.5	7.5	BERETTA/VOKERA - RIELLO - SIME Replaces 0.507.002	187.16
R.953.05	0.537.005	1.5	7.5	SAVIO	187.16
R.953.07	0.537.007	1.5	5	RIELLO	187.16
R.953.21	0.537.201	1.5	60	IDEALCLIMA	187.16
R.953.01	0.537.301	1.5	10	HERMANN (Micra) UNICAL - SIME Replaces 0.507.301	187.16
R.953.34	0.537.304	1.5	10	UNICAL	187.16
R.953.04	0.537.401	1.5	10	BIASI Replaces 0.507.401	187.16
R.953.51	0.537.501	1.5	60	IDEALCLIMA	187.16

### Art. R.955.27 - Ignition/modulation board SIT 0.550.27, for gas boilers.

Price £ 371.50

### Art. R.956 - Ignition board SIT Series 0.577, for gas boilers.

Art. code	Type	TW	TS	Reference	Price £
R.956.10	0.577.101	1.5	10	ALPENINOX ELECTROLUX ZANUSSI	186.20
R.956.21	0.577.211	0	55	DE DIETRICH	206.40
R.956.04	0.577.304	1.5	10	UNICAL	145.27
0.577.305 replaced by 0.579.305 Art. R.957.05					
R.956.01	0.577.601	1.5	10	BIASI	145.27
R.956.71	0.577.701	1.5	10	HERMANN	145.27

### Art. R.957 - Ignition board SIT Series 0.579.

Art. code	Type	TW	TS	Reference	Price £
R.957.09	0.579.009	0	5	ACV	196.00
R.957.01	0.579.101	1.5	10	DBC	186.20
R.957.05	0.579.305	1.5	10	SIME	196.00
R.957.14	0.579.414	1.5	6	-	186.20

## Specific ignition board

### CHAFFOTEUX ET MAURY



Art. R.655.21

### Art. R.655.21 - Electronic printed circuit compatible for wall-mounted boiler "CHAFFOTEUX ET MAURY" F.F. - Forced flow (60474).

Quantity ≥	1	5	10
Price £	52.33	50.70	49.58

## Temperature probes for boilers


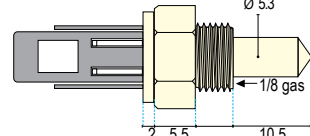

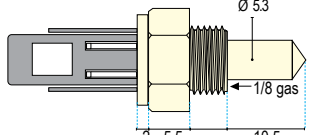
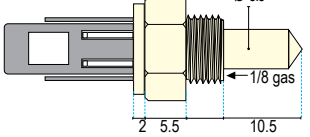


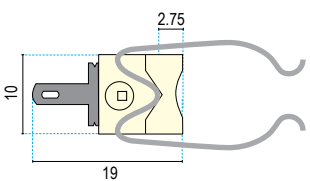

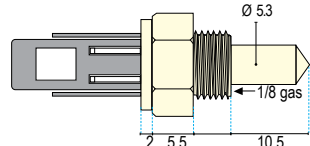

Photo	DRAWING	Art. code	Reference	Thread Capsule material	Connection	Thermistor Type	Reference colour, not binding	Price £ /Quantity ≥	
								1	10
<b>ARGO CLIMA</b>									
 Art. K.302.01		K.302.01		1/8"	Lumberg	NTC 10K	Black	1.83	1.60
				Nickel-plated brass hexagon 13 mm					
 Art. K.303.01		K.303.01		1/8"	Lumberg	NTC 10K	Blue	1.68	1.47
				Nickel-plated brass hexagon 13 mm					
<b>BAXI</b>									
 Art. K.302.01		K.302.01		1/8"	Lumberg	NTC 10K	Black	1.83	1.60
				Nickel-plated brass hexagon 13 mm					
 Art. K.303.01		K.303.01		1/8"	Lumberg	NTC 10K	Blue	1.68	1.47
				Nickel-plated brass hexagon 13 mm					
 Art. K.387.01		K.387.01		-	Faston M 2.8 x 0.5	NTC 10K	Green	20.82	18.24
				-					
<b>BERETTA - RIELLO - VOKERA</b>									
 Art. K.302.01		K.302.01		1/8"	Lumberg	NTC 10K	Black	1.83	1.60
				Nickel-plated brass hexagon 13 mm					
 Art. K.303.01		K.303.01		1/8"	Lumberg	NTC 10K	Blue	1.68	1.47
				Nickel-plated brass hexagon 13 mm					
 Art. K.321.01		K.321.01	R10027352	1/8"	Lumberg	NTC 10K	Red	1.89	1.66
				Nickel-plated brass hexagon 13 mm					
 Art. K.333.00		K.333.00	B3435 4366463	1/4"	Lumberg	NTC 10K	White	5.06	4.80


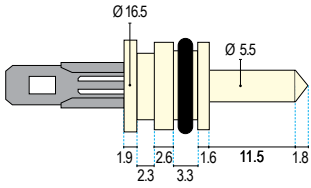

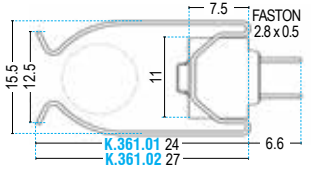

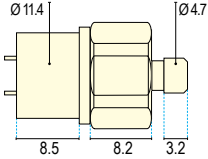

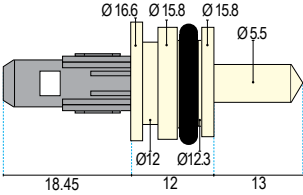

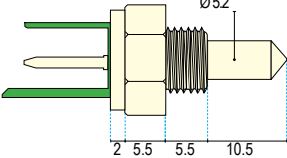

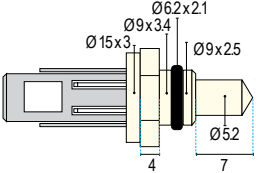

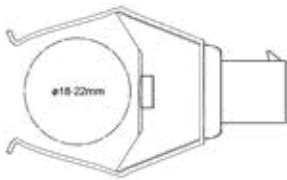
Photo	DRAWING	Art. code	Reference	Thread Capsule material	Connection	Thermistor Type	Reference colour, not binding	Price £ /Quantity ≥	
								1	10
<b>BERETTA - RIELLO - VOKERA</b>									
 Art. K.323.01		K.323.01	R10027351	<b>Quick connection</b>	Lumberg	NTC 10K	Light Blue	2.53	2.22
 Art. K.361		K.361.01	Pipe diameter Ø 14 - 18		Faston M 2.8 x 0.5	NTC 10K B=3435	-	2.04	1.79
		K.361.02	Pipe diameter Ø 18 - 22					2.02	1.77
 Art. K.342.01		K.342.01		<b>M 6 x 1</b>	Faston M 2.8 x 0.5	NTC 10K	Black	3.97	3.48
				Brass Hexagon 13					
 Art. K.343.01		K.343.01		<b>Quick connection</b>	Lumberg	NTC 10K	-	7.15	6.26
				Brass rund Ø 15					
<b>BIASI - SAVIO - BSG</b>									
 Art. K.311.01		K.311.01		<b>1/8"</b>	AMP	NTC 10K	Green	1.76	1.54
				Nickel-plated brass hexagon 13 mm					
 Art. K.312.01		K.312.01		<b>Quick connection</b>	Lumberg	NTC 10K	Black	1.76	1.54
				Nickel-plated brass					
 Art. K.317.01		K.317.01			Molex	NTC Double	Blue/ Black	6.83	5.99


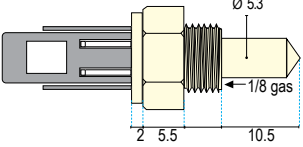

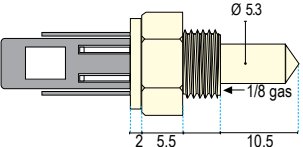

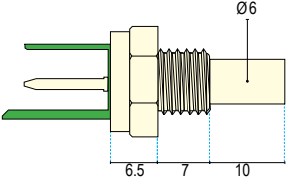
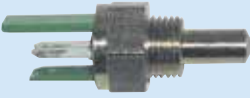
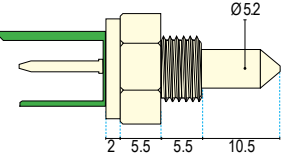
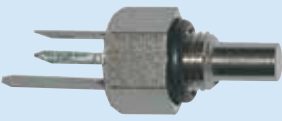
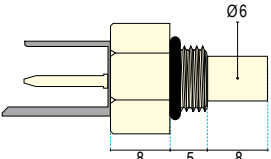

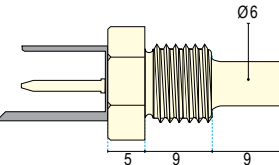

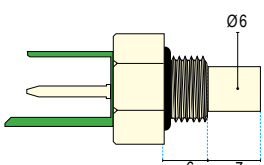

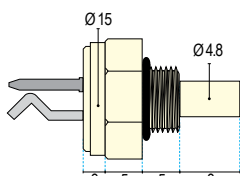
Photo	DRAWING	Art. code	Reference	Thread Capsule material	Connection	Type termistore	Reference colour, not binding	Price £ /Quantity ≥	
								1	10
<b>BONGIOANNI</b>									
 Art. K.302.01	 Ø 53 ← 1/8 gas 2 5.5 10.5	K.302.01		1/8"	Lumberg	NTC 10K	Black	1.83	1.60
				Nickel-plated brass hexagon 13 mm					
 Art. K.303.01	 Ø 53 ← 1/8 gas 2 5.5 10.5	K.303.01		1/8"	Lumberg	NTC 10K	Blue	1.68	1.47
				Nickel-plated brass hexagon 13 mm					
<b>DE DIETRICH - BIKLIM - NECA</b>									
 Art. K.314.01	 Ø 6 6.5 7 10	K.314.01	122155310	M 10 x 1	AMP	NTC 10K	Green	2.12	1.85
				Nickel-plated brass hexagon 13 mm					
<b>EUROTHERM</b>									
 Art. K.313.01	 Ø 52 2 5.5 5.5 10.5	K.313.01		1/8"	AMP	NTC 2K	Green	3.04	2.67
				Nickel-plated brass hexagon 13 mm					
 Art. K.316.01	 Ø 6 8 5 8	K.316.01		1/8"	AMP MODU 1	NTC 2k	Grey	3.05	2.67
				Brass hexagon 15 ADZ nickel					
<b>FAIS</b>									
 Art. K.328.01	 Ø 6 5 9 9	K.328.01	Series Sintesi	M 12 x 1	AMP	PTC 1000 Ohm	-	3.69	3.47
				Brass hexa- gon 15 ADZ nickel					
<b>FERROLI - FER - STARCLIMA</b>									
 Art. K.304.01	 Ø 6 6 7	K.304.01		1/8" O-ring	AMP	PTC 1K	Green	2.54	2.23
				Nickel-plated brass hexa- gon 15 mm					
 Art. K.305.01	 Ø 15 Ø 4.8 3 5 5 8	K.305.01		1/8" O-ring	Molex p.3.96	NTC 10K	-	1.87	1.63
				Brass hexa- gon 15 ADZ nicke					

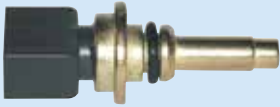
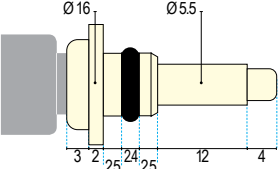

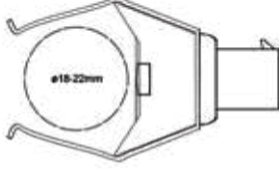

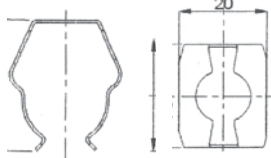

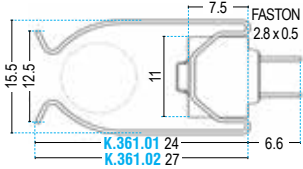

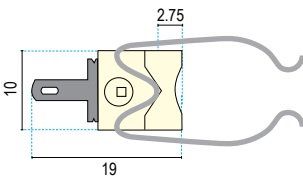

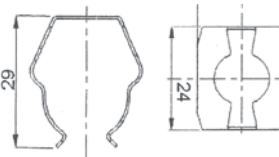

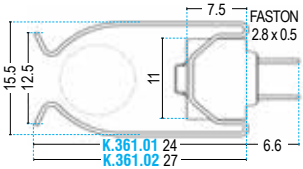

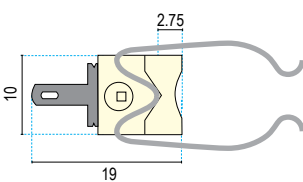
Photo	DRAWING	Art. code	Reference	Thread Capsule material	Connection	Type thermistore	Reference colour, not binding	Price £ /Quantity ≥	
								1	10
<b>FERROLI - FER - STARCLIMA</b>									
 Art. K.310.01		K.310.01		<b>Quick connection</b>  Brass	2 Faston M 2.8 x 0.5	NTC 5K	-	5.29	4.64
 Art. K.330.01		K.330.01		Diameter pipe Ø 18 - 22	Molex	NTC Double	White / Black	7.49	6.56
 Art. K.360		K.360.01		Ø Diameter 14 - 18 mm.	Faston M 2.8 x 0.5	NTC 10K B=3977	-	1.92	1.68
		K.360.02		Ø Diameter 18 - 22 mm.				1.92	1.68
 Art. K.361		K.361.01		Ø Diameter 14 - 18 mm.	Faston M 2.8 x 0.5	NTC 10K B=3435	Black	2.04	1.79
		K.361.02		Ø Diameter 18 - 22 mm.				2.02	1.77
 Art. K.386.01		K.386.01		Ø Diameter 13 - 22 mm.	Faston M 2.8 x 0.5	NTC 10K	Red	9.07	7.96
<b>GLOW-WORM</b>									
 Art. K.360		K.360.01		Ø Diameter 14 - 18 mm.	Faston 2.8 x 0.5	NTC 10K B=3977	-	1.92	1.68
		K.360.02		Ø Diameter 18 - 22 mm.				1.92	1.68
 Art. K.361		K.361.01		Ø Diameter 14 - 18 mm.	Faston 2.8 x 0.5	NTC 10K B=3435	Black	2.04	1.79
		K.361.02		Ø Diameter 18 - 22 mm.				2.02	1.77
 Art. K.386.01		K.386.01		<b>M 10 x 1</b>  Nickel-plated brass hexagon 15 mm	Faston 2.8 x 0.5	NTC 10K	Red	9.07	7.96

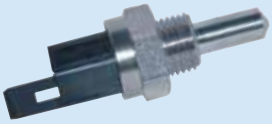
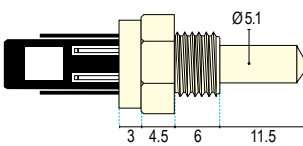

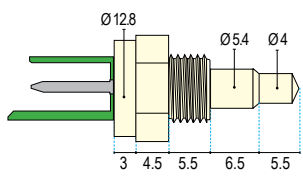

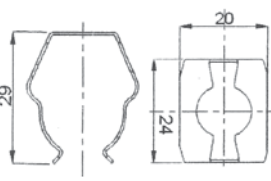

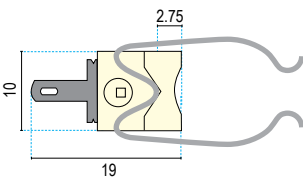
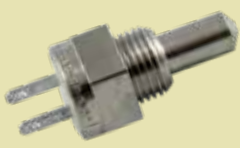
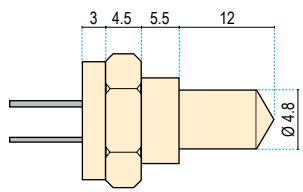
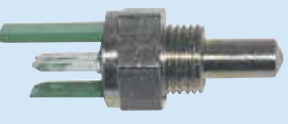
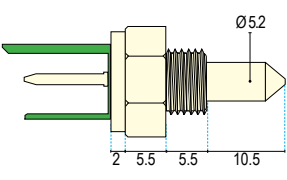

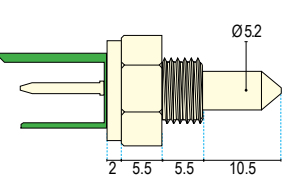
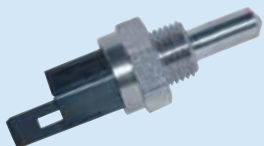
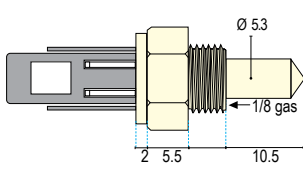
Photo	DRAWING	Art. code	Reference	Thread Capsule material	Connection	Thermistor Type	Reference colour, not binding	Price £ /Quantity ≥	
								1	10
<b>HERMANN - BALTUR</b>									
 Art. K.308.01		K.308.01	OC0542	<b>1/8"</b> <b>O-ring</b>  Nickel-plated brass hexagon 13 mm	Lumberg	NTC 10K B=3977	Black	2.96	2.60
 Art. K.318.01		K.318.01		<b>1/8"</b> <b>O-ring</b>  Nickel-plated brass hexagon 13 mm	AMP MODU 1	NTC 10K	Green	2.20	1.93
 Art. K.360		K.360.01 K.360.02		Ø Diameter 14 - 18 mm.  Ø Diameter 18 - 22 mm.	Faston 2.8 x 0.5	NTC 10K B=3977	-	1.92	1.68
 Art. K.386.01		K.386.01		<b>M 10 x 1</b>  Nickel-plated brass hexagon 15 mm	Faston 2.8 x 0.5	NTC 10K	Red	9.07	7.96
<b>HONEYWELL</b>									
 Art. K.320.01		K.320.01	T7335A2002	<b>1/8"</b>  Nickel-plated brass hexagon 11 mm	Faston 2.8 x 0.5	NTC 10K	-	4.22	3.70
<b>ICI</b>									
 Art. K.313.01		K.313.01		<b>1/8"</b>  Nickel-plated brass hexagon 13 mm	AMP	NTC 2K	Green	3.04	2.67
<b>IDRAGAS</b>									
 Art. K.313.01		K.313.01		<b>1/8"</b>  Nickel-plated brass hexagon 13 mm	AMP	NTC 2K	Green	3.04	2.67
<b>IMMERGAS</b>									
 Art. K.302.01		K.302.01		<b>1/8"</b>  Nickel-plated brass hexa- gon 13 mm	Lumberg	NTC 10K	Black	1.83	1.60

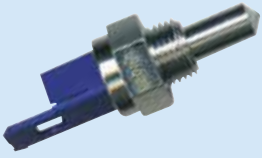
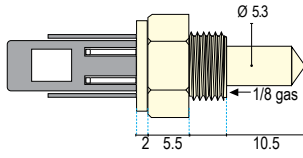

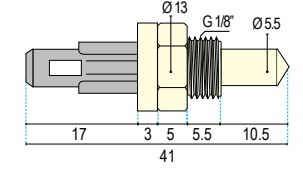

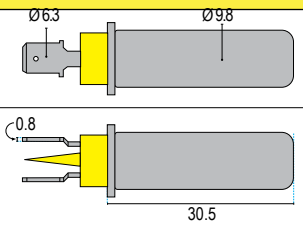

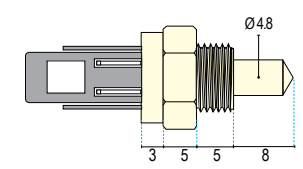

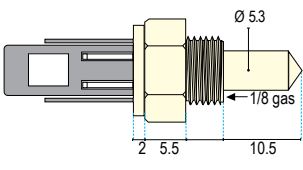

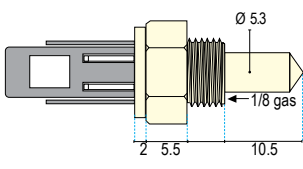

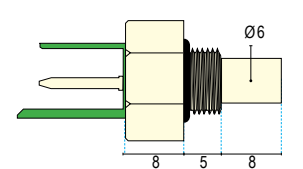
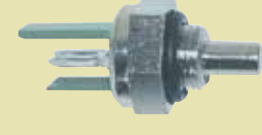
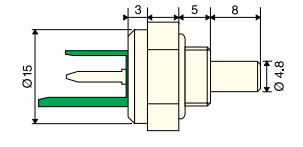
Photo	DRAWING	Art. code	Reference	Thread Capsule material	Connection	Thermistor Type	Reference colour, not binding	Price £ /Quantity ≥	
								1	10
<b>IMMERGAS</b>									
		K.303.01		1/8"	Lumberg	NTC 10K	Blue	1.68	1.47
Art. K.303.01				Nickel-plated brass hexagon 13 mm					
		K.325.01	Type Supersonda	1/8"	Lumberg	NTC 10K	White	2.12	1.86
Art. K.325.01				Nickel-plated brass hexagon 13 mm					
<b>JUNKERS - BOSCH - ELM LEBLANC</b>									
		K.319.01		-	Faston 6.3 mm.	NTC 12K	Yellow	7.00	6.13
Art. K.319.01				-					
<b>LAMBORGHINI</b>									
		K.327.01		1/8"	Lumberg	NTC 10K	Light Blue	2.11	1.85
Art. K.327.01				Brass hexagon 15 ADZ nickel					
		K.302.01		1/8"	Lumberg	NTC 10K B=3435	Black	1.83	1.60
Art. K.302.01				Nickel-plated brass hexagon 13 mm					
		K.303.01		1/8"	Lumberg	NTC 10K	Blue	1.68	1.47
Art. K.303.01				Nickel-plated brass hexa- gon 13 mm					
<b>MTS - ARISTON - MERLONI</b>									
		K.306.01		1/8" O-ring	AMP	NTC 10K	Green	1.79	1.57
Art. K.306.01				Brass hexagon 15 ADZ nickel					
		K.307.01		1/8" O-ring	AMP	NTC 10K	Green	1.96	1.72
Art. K.307.01				Brass hexagon 15 ADZ nickel					


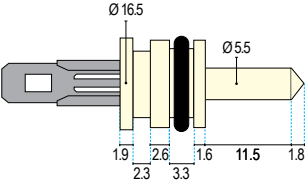

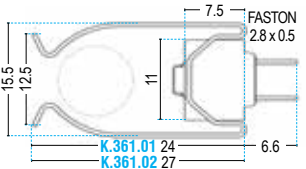

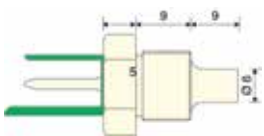

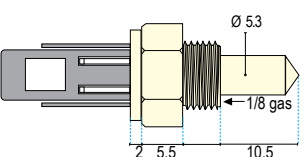
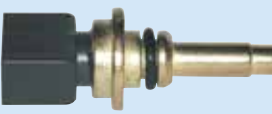
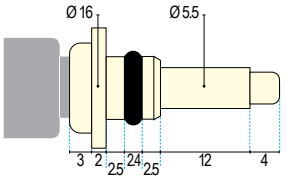

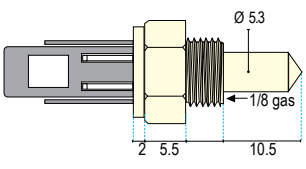

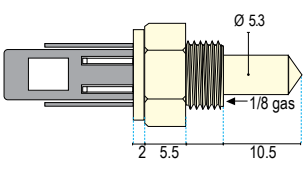
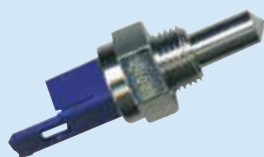
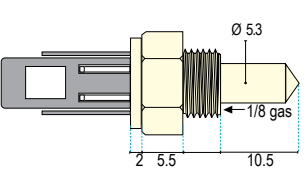
Photo	Drawing	Art. code	Reference	Thread Capsule material	Connection	Thermistor Type	Reference colour, not binding	Price € /Quantity ≥	
								1	10
<b>MTS - ARISTON - MERLONI</b>									
 Art. K.323.01		K.323.01	R10027351	<b>Quick connection</b>	Lumberg	NTC 10K	Light Blue	2.53	2.22
 Art. K.361		K.361.01 K.361.02		Ø Diameter 14 - 18 mm.	Faston 2.8 x 0.5	NTC 10K B=3435	-	2.04	1.79
				Ø Diameter 18 - 22 mm.				2.02	1.77
<b>OCEAN - CHAFFOTEAUX - DEVILLE</b>									
 Art. K.309.01		K.309.01	OC0542	<b>M 12 x 1</b>	AMP	PTC KTY81 110	Green	2.86	2.46
				Nickel-plated brass hexa- gon 15 mm					
 Art. K.303.01		K.303.01		<b>1/8"</b>	Lumberg	NTC 10K	Blue	1.68	1.47
				Nickel-plated brass hexa- gon 15 mm					
 Art. K.310.01		K.310.01		<b>Quick connection</b>	2 Faston M. 2.8 x 0.5	NTC 5K	-	5.29	4.64
				Brass					
<b>PARADIGMA - ECA</b>									
 Art. K.302.01		K.302.01		<b>1/8"</b>	Lumberg	NTC 10K	Black	1.83	1.60
				Nickel-plated brass hexa- gon 13 mm					
<b>RADIANT</b>									
 Art. K.302.01		K.302.01		<b>1/8"</b>	Lumberg	NTC 10K	Black	1.83	1.60
				Nickel-plated brass hexa- gon 13 mm					
 Art. K.303.01		K.303.01		<b>1/8"</b>	Lumberg	NTC 10K	Blue	1.68	1.47
				Nickel-pla- ted brass hexagon 13 mm					


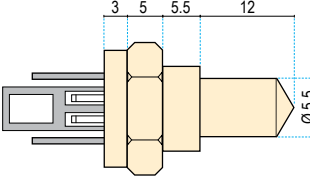

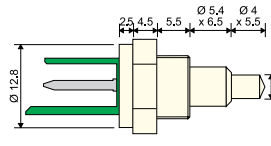

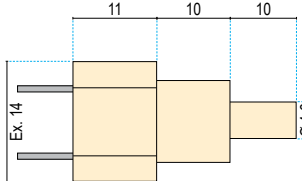

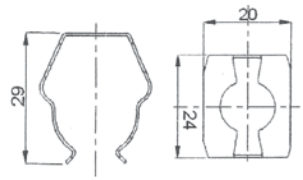

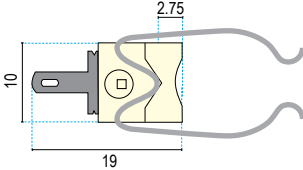

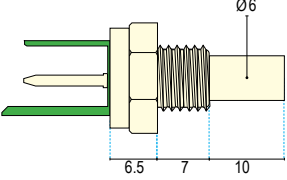

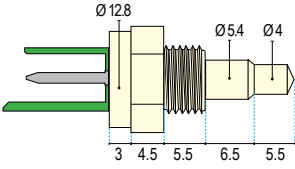

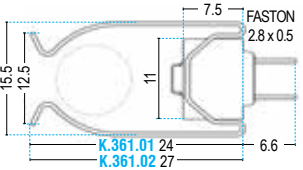
Photo	DRAWING	Art. code	Reference	Thread Capsule material	Connection	Thermistor Type	Reference colour, not binding	Price £ /Quantity ≥	
								1	10
<b>RADIANT</b>									
 Art. K.322.01		K.322.01		1/8"	Lumberg	NTC 10K	White	2.27	1.99
				Brass hexagon 13 mm					
<b>RAVENHEAT</b>									
 Art. K.315.01		K.315.01		1/8"	AMP MODU 1	NTC 10K	Green	2.33	2.04
				Brass hexagon 11 mm					
 Art. K.315.02		K.315.02		M 10 x 1.5	Faston M 2.8 x 0.5	NTC 10K	-	5.48	4.80
				Brass hexagon 14 mm					
 Art. K.360		K.360.01		Ø Diameter 14 - 18 mm.	Faston 2.8 x 0.5	NTC 10K B=3977	-	1.92	1.68
		K.360.02						Ø Diameter 18 - 22 mm.	1.92
 Art. K.386.01		K.386.01		Ø Diameter 13 - 22 mm.	Faston 2.8 x 0.5	NTC 10K	Red	9.07	7.96
<b>ROCA</b>									
 Art. K.314.01		K.314.01	122155310	M 10 x 1	AMP	NTC 10K	Green	2.12	1.85
				Nickel-plated brass hexa- gon 13 mm					
 Art. K.318.01		K.318.01		1/8"	AMP MODU 1	NTC 10K	Green	2.20	1.93
				Nickel-plated brass hexagon 13 mm					
 Art. K.361		K.361.01		Ø Diameter 14 - 18 mm.	Faston 2.8 x 0.5	NTC 10K B=3435	-	2.04	1.79
		K.361.02						Ø Diameter 18 - 22 mm.	2.02


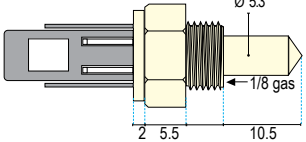
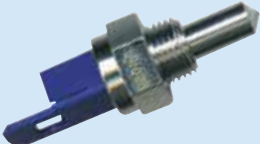
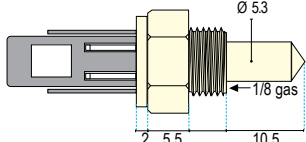

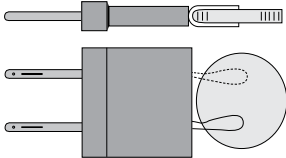

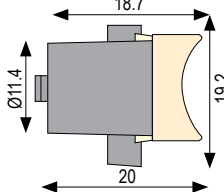

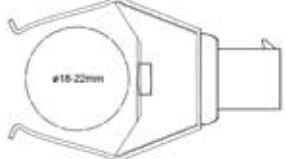

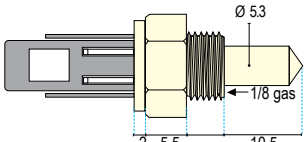

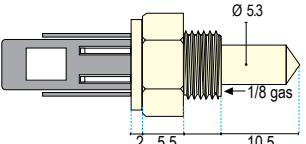

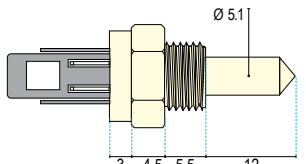

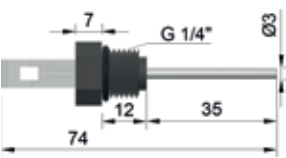
Photo	DRAWING	Art. code	Reference	Thread Capsule material	Connection	Thermistor Type	Reference colour, not binding	Price £ /Quantity ≥	
								1	10
<b>S. ANDREA</b>									
 Art. K.302.01		K.302.01		1/8"	Lumberg	NTC 10K	Black	1.83	1.60
				Nickel-plated brass hexagon 13 mm					
 Art. K.303.01		K.303.01		1/8"	Lumberg	NTC 10K	Blue	1.68	1.47
				Nickel-plated brass hexagon 13 mm					
<b>SAUNIER DUVAL</b>									
 Art. K.391		K.391.01	54971	For sanitary opening 65°C	-	-	Orange	3.61	3.36
		K.391.02	54970	For Heating	-	-	Violet	3.49	3.25
		K.391.03	-	-	-	-	Grey	4.45	4.14
<b>SIME</b>									
 Art. K.388.01		K.388.01		Ø Pipe diameter 18 mm.	Faston 2.8 x 0.5	-	Black	3.94	3.45
 Art. K.317.01		K.317.01		Ø Pipe diameter 18-22 mm.	Molex	-	Blue/Black	6.83	5.99
<b>SYLBER</b>									
 Art. K.302.01		K.302.01		1/8"	Lumberg	NTC 10K	Black	1.83	1.60
				Nickel-plated brass hexagon 13 mm					
 Art. K.303.01		K.303.01		1/8"	Lumberg	NTC 10K	Blue	1.68	1.47
				Nickel-plated brass hexagon 13 mm					
 Art. K.321.01		K.321.01	R10027352	1/8"	Lumberg	NTC 10K	Red	1.89	1.66
				Nickel-plated brass hexagon 13 mm					
 Art. K.333.00		K.333.00	B3435 4366463	1/4"	Lumberg	NTC 10K	White	5.06	4.80

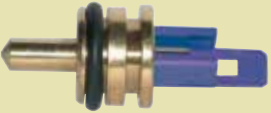
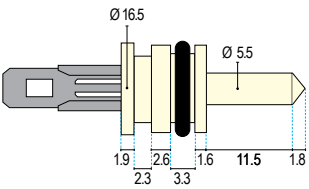

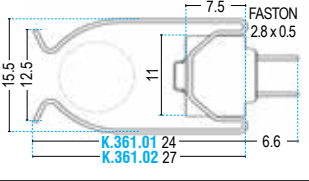

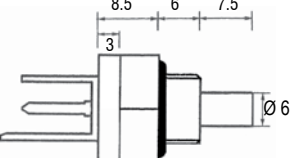

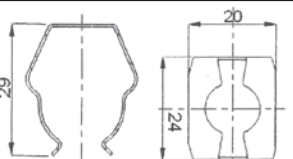

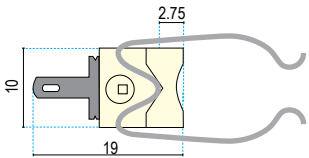

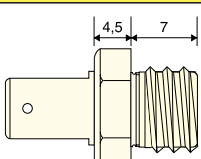

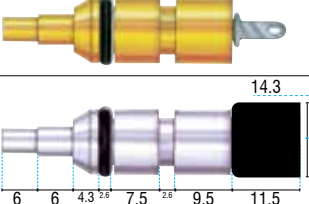
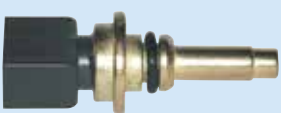
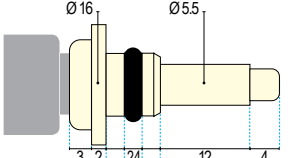

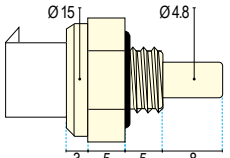

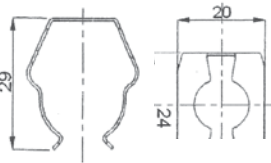

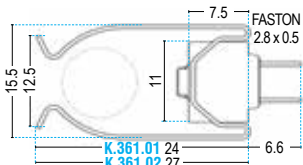

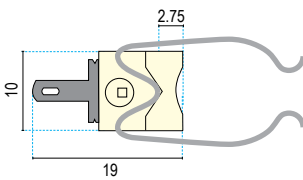
Photo	DRAWING	Art. code	Reference	Thread Capsule material	Connection	Thermistor Type	Reference colour, not binding	Price £ /Quantity ≥	
								1	10
<b>SYLBER</b>									
 Art. K.323.01		K.323.01	R10027351	<b>Quick connection</b>	Lumberg	NTC 10K	Light Blue	2.53	2.22
 Art. K.361		K.361.01 K.361.02		Ø Diameter 14 - 18 mm. Ø Diameter 18 - 22 mm.	Faston 2.8 x 0.5	NTC 10K B=3435	-	2.04 2.02	1.79 1.77
<b>UNICAL</b>									
 Art. K.324.01		K.324.01		<b>1/8" O-ring</b> Brass hexagon 15 ADZ nickel	AMP	NTC 10K	Green	2.12	1.86
 Art. K.360		K.360.01 K.360.02		Ø Diameter 14 - 18 mm. Ø Diameter 18 - 22 mm.	Faston 2.8 x 0.5	NTC 10K B=3977 NTC 10K B=3977	-	1.92 1.92	1.68 1.68
 Art. K.386.01		K.386.01		Ø Diameter 13 - 22 mm.	Faston 2.8 x 0.5	NTC 10K	Red	9.07	7.96
<b>VAILLANT</b>									
 Art. K.301.01		K.301.01		<b>M 10 x 1</b> Nickel-plated brass hexagon 14 mm	Faston M. 6.3 x 0.8	NTC 3.374K	-	3.14	2.75
<b>VISSMANN</b>									
 Art. K.329.01		K.329.01		<b>Quick connection</b> Brass	Faston 2.8	NTC 10K	-	12.20	10.69
<b>WOLF</b>									
 Art. K.310.01		K.310.01		<b>Quick connection</b> Brass	2 Faston M. 2.8 x 0.5	NTC 5K	-	5.29	4.64
 Art. K.326.01		K.326.01		<b>1/8"</b> Brass hexagon 15 ADZ nickel	Molex Minifit	NTC 4.7K	Neutral	7.13	6.24

Photo	DRAWING	Art. code	Reference	Thread Capsule material	Connection	Thermistor Type	Reference colour, not binding	Price £ /Quantity ≥	
								1	10
<b>WORCESTER BOSCH GROUP</b>									
 Art. K.360		K.360.01		Ø Diameter 14 - 18 mm.	Faston 2.8 x 0.5	NTC 10K B=3977	-	1.92	1.68
		K.360.02		Ø Diameter 18 - 22 mm.				1.92	1.68
 Art. K.361		K.361.01		Ø Diameter 14 - 18 mm.	Faston 2.8 x 0.5	NTC 10K B=3435	Black	2.04	1.79
		K.361.02		Ø Diameter 16 - 22 mm.				2.02	1.77
 Art. K.386.01		K.386.01		Ø Diameter 13 - 22 mm.	Faston 2.8 x 0.5	NTC 10K	Red	9.07	7.96

### Fixing springs for cable probes



Art. R.147.18 - Pack of 10 cable fixing springs for probes to the pipes of the boiler Ø 18.

Made of galvanized steel flange.

Price £ 8.07

Art. R.753 - Probe spring.

Pipe diameter mm.	12 - 14	
Art. code	R.753.14	R.753.16
Price £	0.30	0.30

ORIGINAL

### Original probes


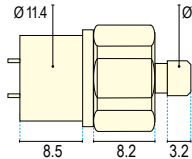

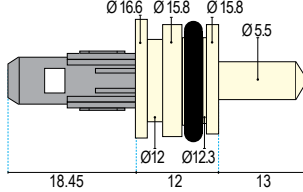

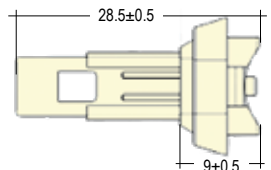

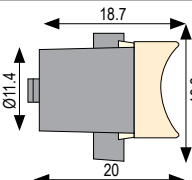

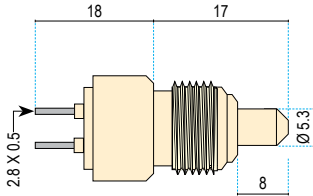

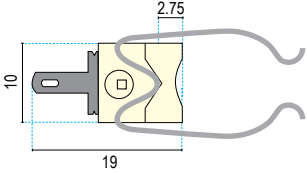

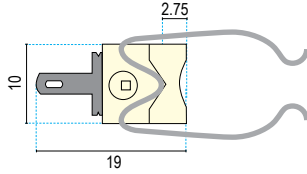
Photo	DRAWING	Art. code	Reference	Thread Capsule material	Connection	Thermistor Type	Reference colour, not binding	Price £ /Quantity ≥	
								1	10
<b>BRAHMA</b>									
 Art. K.342.01		K.342.01	ST03	M 6 x 1	Faston M 2.8 x 0.5	NTC 10K	Black	3.97	3.48
				Brass hexagon 13					
 Art. K.343.01		K.343.01	ST10	Quick connection	Lumberg	NTC 10K	-	7.15	6.26
				Brass Round Ø 15					
 Art. K.390		K.390.01	ST11N L	Ø Pipe diameter 14 mm.	Lumberg	NTC 10K	Black	4.51	3.95
		K.390.02		Ø Pipe diameter 18 mm.				4.63	4.06
 Art. K.388.01		K.388.01	ST04/1	Ø Pipe diameter 18 mm.	Faston 2.8 x 0.5	-	Black	3.94	3.45

Photo	DRAWING	Art. code	Reference	Thread Capsule material	Connection	Thermistor Type	Reference colour, not binding	Price £ /Quantity ≥	
								1	10
<b>HONEYWELL</b>									
 Art. K.340.01		K.340.01	T7335A2002	1/8"  Brass Hexagon 15	Faston M 2.8 x 0.5	NTC 10K	-	26.99	23.65
 Art. K.387.01		K.387.01	T7335D1115	-	Faston M 2.8 x 0.5	NTC 10K	Green	20.82	18.24
 K.386.01		K.386.01	T7335D1008	Ø Diameter 13 - 22 mm.	Faston 2.8 x 0.5	NTC 10K	Red	9.07	7.96

## Temperature probes for solar systems



**Pt 1000**

Art. T.210.00

**Art. T.210.00 - Temperature probes for solar panels Pt 1000Cl. B EN60751**

*Stainless steel tube sensor 6x50mm - Grey silicone cable Length: 1000mm. Terminations with pre-insulated tips. Temperature range -50 / + 180 ° C*

Price £ 7.17



**Pt 100**

Art. T.224.00



**NTC 47K**

Art. N.142.47

**Art. T.224.00 - Temperature probes for solar panels Pt 100**

*Stainless steel tube sensor 6x50mm - Length: 2000mm. Temperature range -30/+150°C*

Price £ 1.75

**Art. N.142.47 - Waterproof air and water probe type NTC 47K with cylindrical bulb in TPE 5 x 20mm.**

*Operating temperature: -40 °C/+110 °C. Capsule length: 20 mm. Diameter: 5 mm. Cable type: round, double insulated in TPE - Length: 1 m.*

Price £ 3.91

## Temperature probes for thermostats and thermoregulators

**Temperature probes**



Art. T.223

**Art. T.223 - Temperature probe normally used for floor heating systems. Complete with 3 mt of cable. Can be connected to thermostats Art. T.420. It can also be used to measure the temperature of the pipes, room temperature and outside temperatures.**

*Type NTC 25° = 10K - Diameter Ø 7 mm. Adjustment range : -9.5°C / 99.5°C*

Type	Soft cable	Hard cable, suitable for inserting in underfloor sheaths
Art. code	T.223.00	T.223.03
Price £	3.78	4.59

# Temperature probes and sensor for biomass boilers and stoves

## NTC temperature sensors

47K



Art. N.142.47

10K



Art. N.143.01

10K



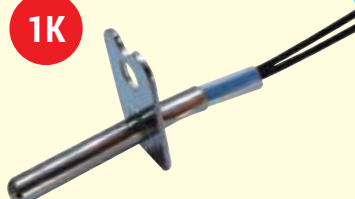
Art. N.145.02

10K



Art. N.146.04

1K



Art. N.147.01

1K



Art. N.149.03

Art. N.142.47 - Waterproof air and water probe type NTC 47K with cylindrical bulb in TPE 5 x 20mm.

Operating temperature:  $-40^{\circ}/+110^{\circ}\text{C}$ . Capsule length: 20 mm. Diameter: 5 mm. Cable type: TPE double insulated round - Length: 1 mt.

Price £ 3.91

Art. N.143.01 - NTC type 10K epoxy drop air probe in PVC.

Operating temperature:  $-30^{\circ}/+105^{\circ}\text{C}$ . Capsule length: 5 mm. Diameter: 3 mm. Cable type: PVC HT  $105^{\circ}$  - Length: 1 mt.

Price £ 2.01

Art. N.145.02 - Air probe type NTC 10K with bulb in TPE 6 x 5 x 15 mm.

Operating temperature:  $-50^{\circ}/+120^{\circ}\text{C}$ . Capsule length: 15 mm. Diameter: 6 x 5. Cable type: TPE plate - Length: 1 mt.

Price £ 2.25

Art. N.146.04 - Waterproof air probe type NTC 10K with cylindrical bulb in TPE 5 x 20 mm.

Operating temperature:  $-50^{\circ}/+110^{\circ}\text{C}$ . Capsule length: 20 mm. Diameter: 5 mm. Cable type: round double-insulated TPE - Length: 1 mt.

Price £ 2.74

Art. N.147.01 - Probe for fume control type NTC 1K  $300^{\circ}\text{C}$  with fixing flange 20 + 20 mm.

Operating temperature:  $0^{\circ}/+300^{\circ}\text{C}$ . Capsule length: 40 mm. Diameter: 4 mm. Cable type: Teflon - Length: 200 mm.

Price £ 3.45

Art. N.149.03 - Probe for fume control type NTC 1K  $300^{\circ}\text{C}$  with fixing flange 11 mm. and protective sheath, with stainless steel bulb.

Operating temperature:  $0^{\circ}/+300^{\circ}\text{C}$ . Capsule length: 11 mm. Diameter: 4 mm. Length: 1 m.

Price £ 7.30

## Temperature thermocouple

J



Art. N.150

J



Art. N.153

K



Art. N.155.00

K



Art. N.157.00

K



Art. N.159.00

Art. N.150 - Temperature thermocouple type "J" with stainless steel tube and cable "Vetrotex".

Operating temperature:  $0^{\circ}/+350^{\circ}\text{C}$ .

Art. code	Ø mm.	Length mm.	Price £
N.150.01	4 X 30	880	6.54
N.150.02	4 X 30	1.250	7.04
N.150.04	4 X 40	880	6.28
N.150.05	4 X 40	1.250	7.41

Art. N.153 - Temperature thermocouple type "J" with stainless steel tube and cable "Vetrotex", with fixing flange 23 + 17 mm.

Operating temperature:  $0^{\circ}/+350^{\circ}\text{C}$ .

Art. code	Ø mm.	Length mm.	Price £
N.153.01	4 X 40	880	6.87
N.153.02	4 X 40	1.250	7.41

Art. N.155.00 - Thermocouple for smoke control type "K"  $550^{\circ}\text{C}$ .

Operating temperature:  $0^{\circ}/+550^{\circ}\text{C}$ . Capsule: 6 x 60.

Capsule length: 60 mm. Diameter 6 mm.

Cable type: Fiberglass, Cable length: 3 mt.

Price £ 9.82

Art. N.157.00 - Thermocouple for smoke control type "K"  $400^{\circ}\text{C}$  with 20 + 20 mm fixing flange.

Operating temperature:  $0^{\circ}/+400^{\circ}\text{C}$ . Capsule: 4 x 40.

Capsule length: 40 mm. Diameter 4 mm.

Cable type: Fiberglass - Cable length: 1.10 mt.

Price £ 7.39

Art. N.159.00 - Thermocouple for smoke control type "K"  $900^{\circ}\text{C}$ .

Operating temperature:  $0^{\circ}/+900^{\circ}\text{C}$ . Capsule: 3 x 110.

Capsule length: 110 mm. Diameter 3 mm.

Cable type: Silicone - Cable length: 2 mt.

Price £ 18.36

N.B.

For the complete range of temperature probes see page 96 (F)

# "Honeywell" gas valves

## Series VK4100C



Art. K.400.00

## Series VK4100N



Art. K.401

Art. K.400.00 - Gas valve "HONEYWELL" Series VK4100C model VK4100C1000.

Compatible: BERETTA - FERROLI - IDEAL CLIMA - RIELLO - SYLBER.

Price £ 79.16

Art. K.401 - Gas valve "HONEYWELL" Series VK4100N

Art. code	Type	Reference	Price £
K.401.22	VK4100N2022	FERROLI - RIELLO	163.46
K.401.30	VK4100N2030	RAVENHEAT - TERMOVANA - UNICAL	170.26



For the safety of your profession, **ANTARES** sells exclusively to companies registered in the Chamber of Commerce

## Series VK4105A



Art. K.405

Art. K.405 - Gas valve "HONEYWELL" Series VK4105A.

Art. code	Type	Reference	Price £
K.405.01	VK4105A1001	DALMED - ELECTROLUX - FAREL - RADIANT	80.40
K.405.27	VK4105A1027	BAXI - OCEAN - TADDIA - LAMBORGHINI	118.91
K.405.35	VK4105A1035	RADIANT - SIABS	172.29
K.405.50	VK4105A1050	BERETTA - CCM - IABER - RIELLO - WASSERGAS	206.75

## Series VK4105C



Art. K.407

## Series VK4105D



Art. K.409.08

Art. K.407 - Gas valve "HONEYWELL" Series VK4105C.

Art. code	Type	Reference	Price £
K.407.09	VK4105C1009	M.A - BPS - BIASI - BPK - FERROLI - FOINOX - GARBIN - LAINOX - LAMBORGHINI - MCN - SAVIO - UNICAL	112.16
K.407.17	VK4105C1017	FERROLI - SIME	183.10
K.407.25	VK4105C1025	CALORTECNICA - EUKLIMA - NOVIMPIANTI - RIELLO	158.63

## Series VK4105E



Art. K.410.07

## Series VK4105G



Art. K.412

Art. K.409.08 - Gas valve "HONEYWELL" Series VK4105D model VK4105D1008.

Price £ 65.32

Art. K.410.07 - Gas valve "HONEYWELL" Series K4105E model VK4105E1007.

Compatible: POTTERTON (Suprima)

Price £ 104.05

## Series VK4105M



Art. K.414



For product information, you can send us messages and photos via **WhatsApp**.

+44 1227 458 684

We do not provide product information over the phone. Checking spare part compatibility is a free service to assist the customer with their purchase. We accept no responsibility if the indicated product does not match.

Art. K.412 - Gas valve "HONEYWELL" Series VK4105G.

Art. code	Type	Reference	Price £
K.412.05	VK4105G1005	BAXI - OCEAN - BIASI - CCM - ICI - IABER - RADIANT - SARFAS	174.32
K.412.13	VK4105G1013	APEN GROUP - BPS - IMMERGAS - RADIANT - IDRM.AS - TERMOVANA	124.32
K.412.21	VK4105G1021	CALORTECNICA - EUKLIMA - NOVIMPIANTI - RIELLO	160.80
K.412.54	VK4105G1054	VAILLANT	152.02
K.412.70	VK4105G1070	FERROLI - SIME	107.38
K.412.02	VK4105G1112	RADIANT	116.21
K.412.53	VK4105G1153	FERROLI	

Art. K.414 - Gas valve "HONEYWELL" Series VK4105M.

Art. code	Type	Reference	Price £
K.414.14	VK4105M2014	BIASI - EUREDERM - FERROLI - GIROLUCA - RAVENHEAT - SAVIO - SIME	114.86
K.414.22	VK4105M2022	SAUNIER DUVAL	152.97
K.414.30	VK4105M2030	MTS	156.72
K.414.48	VK4105M2048	HERMANN	172.29
K.414.55	VK4105M2055	AIR CONTROL - EURedERM - IMMERGAS - LAMBORGHINI	197.29
K.414.71	VK4105M2071	SAUNIER DUVAL	192.56
K.414.97	VK4105M2097	MTS	219.59
K.414.05	VK4105M2105	HERMANN	178.37
K.414.09	VK4105M5009	IMMERGAS	110.81
K.414.17	VK4105M5017	SIME	127.70
K.414.74	VK4105M5074	HERMANN	108.78

**Series VK4105N**



Art. K.415

**Series VK4105P**



Art. K.417.37

**Series VK4105Q**



Art. K.418.10

**Series VK4115V**



Art. K.420

**Series VK8115V**



Art. K.426.36

**Series VK8515M**



Art. K.427

**Series VK8525**



Art. K.428

**V4600  
V8600 >A - C - D**



Art. R.170.24

**Art. K.415 - Gas valve "HONEYWELL" . Series VK4105N.**

Art. code	Type	Reference	Price £
K.415.13	VK4105N2013	BPK - DUAL - EUROTERM - FAREL - ICI - FINTERM - RIELLO - SANT'ANDREA - SAUNIER DUVAL (Thelia) - STARGAS - SILE - UNICAL - WASSERGAS	136.46
K.415.21	VK4105N2021	IMMERGAS	175.94

**Art. K.417.37 - Gas valve "HONEYWELL" . Series VK4105P, model VK4105P2037.**

Reference: ZANUSSI - IMMERGAS.

Price £ 258.36

**Art. K.418.10 - Gas valve "HONEYWELL" . Series VK4105Q model VK4105Q2010.**

Compatible: APEN GROUP - BIASI - FERROLI - LAINOX - MTS - NUOVA IDRAGAS - RHOSS.

Price £ 220.32

**Art. K.420 - Gas valve "HONEYWELL" . Series VK4115V.**

Art. code	Type	Reference	Price £
K.420.06	VK4115V1006	COSMOGAS - IMMERGAS - RADIANT - SIME	80.93
K.420.14	VK4115V1014	MCN	116.90
K.420.71	VK4115V1071	IDEAL	114.82
K.420.39	VK4115V1139	FERROLI	140.93
K.420.04	VK4115V1204	BERETTA - ELCO	110.93
K.420.52	VK4115V1352	IDEAL	127.11

**Art. K.426.36 - Gas valve "HONEYWELL" . Series VK8115V model VK8115V1036.**

Compatible: FONTECAL - GRUPPO IMAR - ICI - VAILLANT.

Price £ 93.17

**Art. K.427 - Gas valve "HONEYWELL" . Series VK8515M.**

Art. code	Type	Reference	Price £
K.427.15	VK8515M4520	HERMANN - SAUNIER-DUVAL 002012874 VAILLANT 0020135144	106.58
K.427.85	VK8515MR4571	VAILLANT VMW 275/4-7	112.66

**Art. K.428 - Gas valve "HONEYWELL" . Series VK8525.**

Art. code	Type	Reference	Price £
K.428.25	VK8525MR1501	VAILLANT - ATMO TURBOLEC 0020053969	106.86
K.428.30	VK8525M1510	VAILLANT 053520	107.22

**Art. R.170.24 - Gas valve "HONEYWELL" .**

Type V8600C1020U - V8600C1053U, Voltage V 24.

Price £ 186.05

**HOW TO ORDER**

**ON-LINE  
SHOP**

Our our e-commerce website  
**www.antaresint.com**



**DIRECT AND IMMEDIATE ORDERS**

If you order **"ON-LINE"** or over the phone, you have have immediate confirmation of articles availability and have them put aside for you

V4600  
V8600 > N - Q



Art. R.173

VR4601



Art. R.175.01

Art. R.173 - Gas valve "HONEYWELL" with flame regulator.

Art. code	Type	Price £
R.173.06	V4600N2006	153.17
R.173.30	V4600N2030	179.20
R.173.18	V4600Q2018	199.75
R.173.34	V4600Q2034	123.83
R.173.80	V8600N2080	155.23
R.173.71	V8600N2171	210.01
R.173.97	V8600N2197	167.17

VR4605 A - C  
VR8605V



Art. R.174

VR4605M  
VR4605N  
VR4605Q



Art. R.177

Art. R.175.01 - Gas valve "HONEYWELL" Series VR4601 model VR4601QB2019.

Price £ 179.78

Art. R.174 - Gas valve "HONEYWELL" type VR4605 - VR8605.

Art. code	Type	Price £
R.174.03	VR4605AA1003	100.16
R.174.29	VR4605C1029	208.50
R.174.27	VR4605CA1027	189.77
R.174.68	VR4605CA1068	146.84
R.174.26	VR4605CA1126	259.68
R.174.86	VR8605VA1005	145.45

VR4611



Art. R.179.01

V4700E



Art. R.860

Art. R.177 - Gas valve "HONEYWELL" Series VR4605 with flame regulator.

Art. code	Type	Price £
R.177.57	VR4605MA2057	151.22
R.177.31	VR4605NA2031	133.59
R.177.64	VR4605NA2064	174.19

VR4700C



Art. R.861

VR4700E



Art. R.179.01 - Gas valve "HONEYWELL" Series VR4611 model VR4611QB2000.

Price £

Art. R.860 - Electrostatic gas valve "HONEYWELL" Series V4700E.

Art. code	Type	Price £
R.860.01	V4700E1049	79.97
R.860.64	V4700E1064	84.45
R.860.72	V4700E1072	256.08

VR4705A  
VR4705C



Art. R.862

VR4705N



Art. R.863.29

Art. R.861 - Electric gas valve "HONEYWELL" Series VR4700.

Art. code	Type	Price £
R.861.00	VR4700C4014	235.56
R.861.26	VR4700E1026	146.48
R.861.42	VR4700E1042	138.98

Art. R.862 - Electric gas valve "HONEYWELL" Series VR4705.

Art. code	Type	Price £
R.862.23	VR4705A4023	274.04
R.862.13	VR4705C4013	248.13
R.862.53	VR4705C4153	246.88

Art. R.863.29 - Electric gas valve "HONEYWELL" Type VR4705N4029 with flame regulator 230V.

Price £ 390.26



Visit our website

www.antaresint.com

ANTARES  
The ideal solution for  
over 30 years



For the safety of your profession,  
ANTARES sells exclusively to  
companies registered in the  
Chamber of Commerce



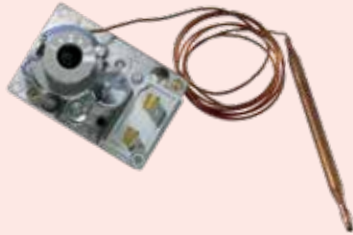
Art. R.880



Art. R.881.02



Art. R.882



Art. R.884



Art. R.886.02



Art. R.885

for Series VR8700



Art. R.887.01

Art. R.887

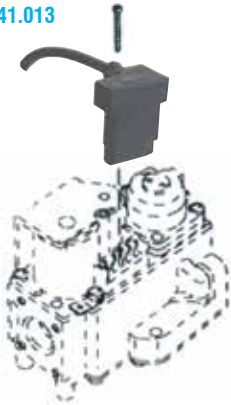
For Series VR8600



Art. R.887.05

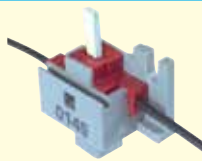
V45900441.013

VK41...



Art. R.888.00

Art. R.890.20



Art. R.887 - Coil for "HONEYWELL" valve.

Art. code	Reference	For valves Series	Volts	Price £
R.887.01	45900406-001	V/VR8700...	24	13.77
R.887.05	45900406-005	Compact A. VR8600...	24	14.55

Art. R.888.00 - Rectifier 220-240V - 50 Hz for valves VK... designed for direct ignition burner control (DBI) - Ref. 45900441-018. C/w 800 mm.

Price £ 10.69

Art. R.890.20 - Auxiliary ignition switch for valves V4600... - V8600... - Ref. Q640A1002. Complete with 500 mm cable.

Price £ 7.40

Art. R.880 - "HONEYWELL" spare electrical operator for valves type V4400 and V4600 or V8400 and V8600.

Art. code	Type	For Valve	Voltage V	Electrical connection	Price £
R.880.71	V404A	V4400-V4600	220/240	Faston 6.3	58.02
R.880.97	V404A	V4400-V4600	220/240	Connection-DIN43650	61.76
R.880.24	V804A	V8400-V8600	24	Faston 6.3	80.67

Art. R.881.02 - Mechanical pressure regulator "HONEYWELL" for valves type V4400..., V8800..., V4600..., V8600..., VR4600.

Type: V5306E1002 or V5306E1010. Pressure range: 2.5-20 mbar. Pre-calibrated pressure: 9 mbar.

Price £ 9.45

R.882 - Mechanical pressure servoregulator "HONEYWELL" in steps for valves V4400C.

Art. code	Type	Pressure range	Pressure preset	Price £
R.882.26	V5307E1126	2.5-18 mbar	2 mbar	54.64
R.882.27	V5307E1027	20-50 mbar	-	56.99

Art. R.884 - Flame modulator for gas, safety and control valves "HONEYWELL" V5335.

Type	For Methangas V5335A2095	For GPL V5335A2152
Art. code	R.884.01	R.884.02
Price £	78.82	47.05

Art. R.885 - "HONEYWELL" flame modulator for gas valves.

Art. code	Type	Model	Solenoid colour	For valves type	Price £
R.885.12	V4336A2212	HFH-LOW	Black	V4600Q... VR4605Q...	59.04
R.885.26	V7335A2026 oder V7335A2125	MODUREG	Green	V4600N... V8600N...	34.08
R.885.67	V7335A2067	MODUREG	Yellow	V4600N... V8600N...	33.78
R.885.32	V7335A2232	MODUREG	Yellow	V4600M...VR4605NA... VR601MA...	56.99
R.885.83	V7335A2083	MODUREG	Yellow	V8600N.../VR- 4605NA... VR4615N...	33.78
R.885.24	V7335A2224 oder V7335A2190	MODUREG	Green	VR4605NA...	57.28
R.885.73	V7335A2273	MODUREG	Yellow	VR4605MA...	47.88

Art. R.886.02 - Electric operator with "HONEYWELL" pressure servo-regulator for valves V4700... - VR4700... - VR4705... Type: V4347A4009 or V4347A4033 - Pressure range: 2 - 20 mbar - Pressure 1° stage: 7 mbar.

Price £ 62.87

# SIT gas valve

## Series ElectroSit 810



Art. R.180

## Series 710



Art. R.183

### Art. R.180 - Electrostatic gas valve "SIT" type ELETROSIT

Art. code	Model	Ø F.	Connection Thermoelement	For elements	Price £
R.180.02	0.810.136	1/2"	M 9x1 Below	Long	348.04
R.180.56	0.810.156	1/2"	11/32" Side	Short	348.04
R.180.03	0.810.138	3/4"	M 9x1 Below	Short	348.04
R.180.13	0.810.122	3/4"	M 9x1 Side	Short	347.94
R.180.20	0.810.200	3/4"	11/32" Side	Short	347.94
R.180.53	0.810.153	3/4"	11/32" Below	Short	347.94
R.180.58	0.810.158	3/4"	M 9x1 Below	Short	348.04

## Series 610



Art. R.184.26

## Series 630



Art. R.188.25

### Art. R.183 - Gas valve "MINISIT" Series 0.710.

Art. code	Type	Configuration	Thermostat range	Price £
R.183.93	0.710.193	<b>B</b>	37-72 °C	188.70
R.183.99	0.710.199	<b>C</b>	30-90 °C	168.40
R.183.04	0.710.204	-	40-90 °C	194.09
R.183.50	0.710.650	<b>E</b>	100-340 °C	169.05
R.183.43	0.710.743	-	120-200 °C	251.26
R.183.17	0.710.817	-	-	199.31

### Art. R.184.26 - Safety and control valve "SIT" type 610AC3, model 0.610.001.

Price £ 263.27

### Art. R.188.25 - Gas valve "SIT" Series EUROSIT type 0.630.025.

Price £ 139.28



Art. R.210

## Series Nova 820



Art. K.600

### Art. R.210 - Flanges for electro-static gas zone valves.

Square shaped, complete with o-ring and fixing screws

Side distance of fixing screws 24	Straight 3/8" F. in brass	Straight 1/2" F. in brass	Straight 1/2" M. in brass	Straight 3/4" M. in brass	Elbow 1/2" F. in aluminium
Art. code	R.210.18	R.210.32	R.210.22	R.210.23	R.210.33
Price £/Quantity ≥	1 50	1 50	1 50	1 50	1 50
	3.74 3.09	3.18 2.64	3.44 2.85	3.50 2.89	7.52 6.21

Side distance of fixing screws 36	Elbow 1/2" F. in aluminium	Elbow 3/4" F. in aluminium	Elbow 1" F. in aluminium	Blind in aluminium
Art. code	R.210.02	R.210.03	R.210.01	R.210.00
Price £/Quantity ≥	1 50	1 50	1 50	1 50
	7.45 6.16	7.78 6.42	12.65 10.45	6.47 5.35

Side distance of fixing screws 36	Straight 1/2" F. in aluminium	Straight 1" F. in aluminium	Straight 3/4" M. in aluminium	Straight 1" M. in aluminium
Art. code	R.210.20	R.210.10	R.210.13	R.210.11
Price £/Quantity ≥	1 50	1 50	1 50	1 50
	7.25 5.99	11.40 9.41	7.78 6.42	11.40 9.41

## Series Nova 822



Art. K.601

## Series Nova 824



Art. K.602

### Art. K.601 - Gas valve SIT - Nova 822 Series.

Art. code	Model	Compatible	Price £
K.601.02	0.822.002	ACCORONI	207.21
K.601.10	0.822.110	BAXI	207.21
K.601.11	0.822.111	BPK - HERMANN - IMAR - IMMERGAS - STARGAS - UNICAL	207.21
K.601.12	0.822.112	BPK - FINTERM	193.66
K.601.15	0.822.115	BPK - FINTERM - IMMERGAS	207.21
K.601.23	0.822.123	BERETTA - THERMITAL	243.56
K.601.24	0.822.224	IMMERGAS - VICTRIX	194.23
K.601.33	0.822.133	BPK - VAILLANT	207.21
K.601.51	0.822.251	ECOFLAM - SIME	233.89
K.601.53	0.822.253	THERMITAL	233.89

### Art. K.600 - Gas valve SIT - Nova 820

Art. code	Model	Compatible	Price £
K.600.10	0.820.010	EURedERM - FONDITAL FONTECAL - KOLBAR	159.00
K.600.11	0.820.011	BPK - FERROLI - FINTERM - HERMANN IMAR - RIELLO	159.00
K.600.12	0.820.012	-	142.74
K.600.13	0.820.013	BERETTA - IMMERGAS - RIELLO	159.00
K.600.14	0.820.014	HERMANN	159.00
K.600.17	0.820.017	HERMANN	159.00
K.600.50	0.820.050	-	145.43
K.600.54	0.820.054	STARGAS	162.01

### Art. K.602 - Gas valve SIT - Nova 824 Series.

Art. code	Model	Compatible	Price £
K.602.10	0.824.010	EURedERM - FINTERM - FONTECAL	211.46
K.602.12	0.824.012	MTS	211.46

**Series Nova 825**



Art. K.603

**Series Nova 826**



Art. K.604

**Art. K.603 - Gas valve SIT - Nova 825 Series.**

Art. code	Model	Compatible	Price £
K.603.11	0.825.011	BIASI	214.66
K.603.13	0.825.013	CHAPEE - POTTERTON	200.62
K.603.15	0.825.015	FERROLI - GLOWWORM - MTS	214.66
K.603.24	0.825.024	--	315.98

**Series Nova 827**



Art. K.605

**Series NovaMix 828**



Art. K.606

**Art. K.604 - Gas valve SIT - Nova 826 Series.**

Art. code	Model	Compatible	Price £
K.604.10	0.826.010	FRACARRO - OERTLI - ROBUR	238.95
K.604.11	0.826.011	BPK - STARGAS	252.75

**Art. K.605 - SIT gas valve - Nova 827 Series.**

Art. code	Model	Compatible	Price £
K.605.10	0.827.110	SIME	249.42
K.605.11	0.827.111	POTTERTON - UNICAL	249.42
K.605.12	0.827.112	--	189.77
K.605.17	0.827.117	WOLF	267.47
K.605.27	0.827.127	CHAPPEE - POTTERTON - MYSON	319.48
K.605.28	0.827.128	STARGAS - UNICAL	267.47
K.605.51	0.827.151	BIASI - MTS - SAVIO	249.42
K.605.53	0.827.153	BIASI - MTS	189.77

**Series Tandem 830**



Art. K.608

**Series Tandem 836**



Art. K.610

**Art. K.606 - SIT gas valve - Novamix 828 Series.**

Art. code	Model	Compatible	Price £
K.606.01	0.828.101	--	283.98
K.606.10	0.828.110	--	197.55
K.606.13	0.828.113	IDEAL	197.55

**Series Tandem 837**



Art. K.611

**Series Sigma HI-LO 843**



Art. K.613

**Art. K.608 - SIT double solenoid gas valve - Tandem 830 Series.**

Art. code	Model	Compatible	Price £
K.608.10	0.830.010	ROBUR	158.66
K.608.20	0.830.020	BAXI - IDEAL ELAN - POTTERTON	158.66
K.608.30	0.830.030	IMAR - LAMBORGHINI	158.66
K.608.34	0.830.034	BPK - FRACARRO - THERMITAL	158.66
K.608.35	0.830.035	BAXI - IMMERGAS - SIME	158.66
K.608.36	0.830.036	BUDERUS - SIEGER	158.66
K.608.37	0.830.037	ROBUR	148.28
K.608.40	0.830.040	ECOFLAM	158.66
K.608.43	0.830.043	FINTERM	158.66

**Art. K.611 - SIT double solenoid gas valve - Tandem 837 Series.**

Art. code	Model	Compatible	Price £
K.611.10	0.837.010	RIELLO	215.13
K.611.11	0.837.011	BAXI - BERETTA - BONGIOANNI FINTERM - HERMANN LAMBORGHINI - RIELLO	215.13
K.611.13	0.837.013	EURedERM - FINTERM - IDEAL CLIMA - MTS - SIME	215.13
K.611.23	0.837.023	IMMERGAS	215.13
K.611.25	0.837.025	MTS - RAVENHEAT	215.13
K.611.00	0.837.100	BAXI	209.88
K.611.02	0.837.302	BAXI - HERMANN	241.45
K.611.05	0.837.305	RIELLO	275.81
K.611.06	0.837.306	-	128.78

**Art. K.610 - SIT double solenoid gas valve - Tandem 836 Series.**

Art. code	Model	Compatible	Price £
K.610.10	0.836.010	ECOFLAM - FAREL - FONTECAL - ROBUR	215.13
K.610.19	0.836.019	EURedERM	222.53
K.610.21	0.836.021	FINTERM	174.52

**Art. K.613 - SIT gas valve - Sigma HI-LO 843 Series.**

Art. code	Model	Compatible	Price £
K.613.15	0.843.015	VAILLANT	164.17
K.613.17	0.843.017	ARISTON	164.17

### Series Sigma 845



Art. K.615

#### Art. K.615 - SIT gas valve - Sigma 845 Series.

Art. code	Model	Compatible for:	Price £
K.615.16	0.845.016	-	130.47
K.615.39	0.845.039	UNICAL	130.37
K.615.51	0.845.051	SIME	130.37
K.615.56	0.845.056	SIME	111.78
K.615.57	0.845.057	ARCA - BIASI - FAREL - MTS HERMANN	130.37
K.615.58	0.845.058	KOLLBAR - MTS - RIELLO - STARGAS S.ANDREA - UNICAL	130.37
K.615.59	0.845.059	ARISTON	130.37
K.615.61	0.845.061	BIASI - ARISTON	130.37
K.615.62	0.845.062	BAXI - ARISTON	130.37
K.615.63	0.845.063	ARGO - IMMERGAS - SIME	130.37
K.615.67	0.845.067	VISSMANN	130.37
K.615.70	0.845.070	FONTECAL - RHOSS - RIELLO THERMITAL - UNICAL	130.37
K.615.72	0.845.072	ARISTON	130.37
K.615.74	0.845.074	VAILLANT	130.37
K.615.76	0.845.076	HERMANN - IMMERGAS	130.37
K.615.78	0.845.078	VAILLANT	130.37
K.615.79	0.845.079	VAILLANT	130.37
K.615.83	0.845.083	BIASI - IDEAL	133.79
K.615.84	0.845.084	RIELLO - FONDERIE SIME	133.79
K.615.94	0.845.094	FONDERIE SIME	137.83
K.615.95	0.845.095	VAILLANT	133.79
K.615.98	0.845.098	BOSCH - RADIANT	130.37
K.615.05	0.845.105	BOSCH	133.79
K.615.07	0.845.107	ARISTON	130.37
K.615.08	0.845.108	RIELLO	130.37
K.615.09	0.845.109	HERMANN	130.37
K.615.14	0.845.114	RIELLO	130.37
K.615.19	0.845.119	VAILLANT	130.37
K.615.53	0.845.123	VAILLANT	130.37
K.615.48	0.845.131	BAXI - UNICAL	130.37

### Series Sigma 848



Art. K.618

#### Art. K.618 - SIT gas valve - Sigma 848 Series.

Art. code	Model	Compatible for:	Price £
K.618.03	0.848.003	COSMOGAS	125.70
K.618.05	0.848.005	ARISTON - ELCO	125.70
K.618.06	0.848.006	SIME	141.90
K.618.09	0.848.009	RIELLO	125.70
K.618.17	0.848.017	SIME	125.70
K.618.19	0.848.019	RIELLO	125.70
K.618.24	0.848.024	BOSCH	125.70
K.618.26	0.848.026	VISSMANN	125.70
K.618.32	0.848.032	PROTHERM - THERMONA	125.70
K.618.33	0.848.033	FONDITAL	115.31
K.618.37	0.848.037	ELECTROLUX - BIASI - TURK DEMIR DOKUM ROBUR	125.70
K.618.39	0.848.039	BAXI - KESTON	133.79
K.618.40	0.848.040	BAXI	141.90
K.618.42	0.848.042	FONTECAL - ARISTON - ECOFLAM	125.70
K.618.43	0.848.043	ECOFLAM	133.79
K.618.46	0.848.046	RIELLO	133.79
K.618.49	0.848.049	SIME	133.79
K.618.51	0.848.051	BAXI	133.79
K.618.52	0.848.052	WOLF	133.79
K.618.54	0.848.054	ARISTON - BAXI	141.90
K.618.59	0.848.059	BIASI - TURK DEMIR DOKUM	125.70
K.618.66	0.848.066	BAXI - COSMOGAS - RIELLO	141.90
K.618.68	0.848.068	DOMUSA	129.29
K.618.69	0.848.069	FONDERIE SIME	141.90
K.618.72	0.848.072	BIASI - FONTECAL - ARISTON	125.70
K.618.75	0.848.075	BAXI	141.90
K.618.76	0.848.079	GEMINOX	141.90
K.618.80	0.848.080	DE DIETRICH - SHUCO	133.79
K.618.93	0.848.093	BOSCH	125.70
K.618.97	0.848.097	FONDITAL	125.70
K.618.15	0.848.105	BOSCH	141.90
K.618.16	0.848.106	BAXI	125.70
K.618.07	0.848.107	BERETTA - HERMANN	141.90
K.618.18	0.848.108	BOSCH - LE BLANC	141.90
K.618.11	0.848.110	BIASI	125.70
K.618.98	0.848.118	BOSCH - TECNOCLIMA	125.70
K.618.99	0.848.119	BIASI	125.70
K.618.23	0.848.123	ARISTON	141.90
K.618.96	0.848.159	IMMERGAS	125.70
K.618.90	0.848.160	RIELLO	125.70
K.618.91	0.848.161	ARISTON	125.70
K.618.92	0.848.166	BAXI	141.90
K.618.94	0.848.174	ARISTON	125.70



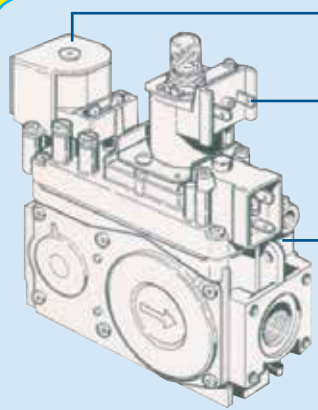
For product information, you can send us messages and photos via WhatsApp.

 +44 1227 458 684

We do not provide product information over the phone. Checking spare part compatibility is a free service to assist the customer with their purchase. We accept no responsibility if the indicated product does not match.

## Spare parts and accessories for SIT gas valves

### Coils



Art. R.190



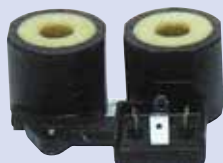
Art. R.191



Art. R.192



Art. R.192



Art. R.194



Art. R.197



Art. R.190



Art. R.191



#### Art. R.190 - EV1 Coil for "SIT" gas valves type "NOVA" - 50 Hz.

Art. code	Reference	Power	Price £
R.190.20	0.967.128	220/240 V 50 Hz.	28.17
R.190.24	0.967.132	24 V 50 Hz.	28.91

#### Art. R.191 - Coil for modulators for "SIT" gas valves type "NOVA".

Art. code	Reference	Type	Power	Color	Price £
R.191.97	0.967.097	825-827-837	28 V	Blue	33.16
R.191.38	0.967.138	825-827-837	16 V	White	32.35

#### Art. R.192 - EV2 Coil for "SIT" gas valves type "NOVA".

Art. code	Reference	Type	Power	Price £
R.192.50	0.967.064	Side connections	220/240 V 50 Hz.	34.53
R.192.55	0.967.065	Side connections	24 V 50 Hz.	34.53
R.192.56	0.967.066	Upper connections	220/240 V 50 Hz.	34.53

#### Art. R.194 - Coil for "SIT" gas valves type "TANDEM".

Art. code	Reference	Power	Price £
R.194.80	0.967.090	230 V	74.67
R.194.81	0.967.091	24 V	74.67

#### Art. R.197 - Double spare Coil for "SIT" gas valve type "SIGMA".

Type	Black 0.967.005	Green 0.967.159	0.967.002
Voltage	230 V.	24 V.	24 V.
Art. code	R.197.58	Replaces R.197.59	R.197.59
Price £	49.39	50.36	50.36

## Gas solenoid valve



Art. R.260



Art. R.262

#### Art. R.260 - Gas solenoid valve normally closed. Quick opening/closing with connector.

Approved Level A - DVGW and EEC - Max pressure: 200 mbar - 230V.

Art. code	Diameter	Price £
R.260.08	3/8" F.	61.46
R.260.02	1/2" F.	59.23

#### Art. R.262 - Gas solenoid valve normally closed. Quick opening/closing.

Approved Class A - EEC - With flow regulator - 230 V.

Diameter F.-F.	1/2"	3/4"	1"	1 1/4"	1 1/2"	2"
Max. Pressure mbar	360	360	200	200	200	200
Art. code	R.262.02	R.262.03	R.262.10	R.262.14	R.262.12	R.262.20
Price £	96.87	125.19	125.43	264.19	265.62	368.46

#### Art. R.270 - Gas solenoid valve normally closed. Slow opening and fast closing "DUNGS" type MVDLE, approved DIN - DVGW.

Complete with flow rate controller - 230 V - 50 Hz.

Max. Pressure mbar	360		200	
Diameter	3/4"	1"	1 1/2"	2"
Type	207	210	215	220
Art. code	R.270.03	R.270.10	R.270.12	R.270.20
Price £	334.99	365.42	427.11	514.54

#### Art. R.275 - Electromagnetic coil for solenoid valve "DUNGS" in execution IP 54 - 230 VAC.

Solenoid valve diameter	3/4" e 1"	1 1/2"	2"
Type	200	280	300
Art. code	R.275.10	R.275.12	R.275.20
Price £	197.15	258.51	277.90



Art. R.270



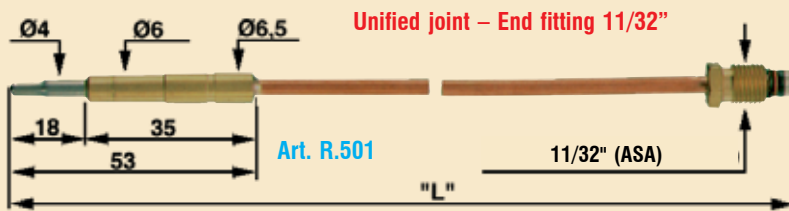
Art. R.275

For gas solenoid valves with manual reset please see Art. B.054 - B.055 on page 53 (F)

# Thermocouples

## General Characteristics

- Switch-on time ≤ 6" sec.
- Switch-off time 30-60 sec
- Max temperature 600°C.
- Minimum bending range ≥ 15 mm.

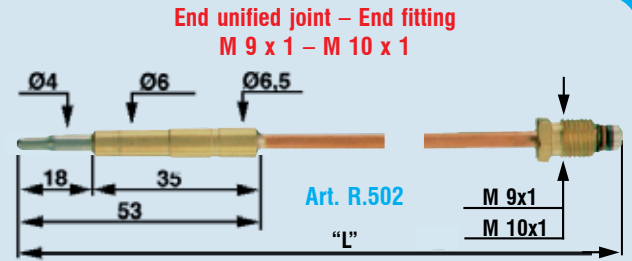


Art. R.501

Unified joint – End fitting 11/32"

11/32" (ASA)

"L"



Art. R.502

End unified joint – End fitting  
M 9 x 1 – M 10 x 1

M 9x1

M 10x1

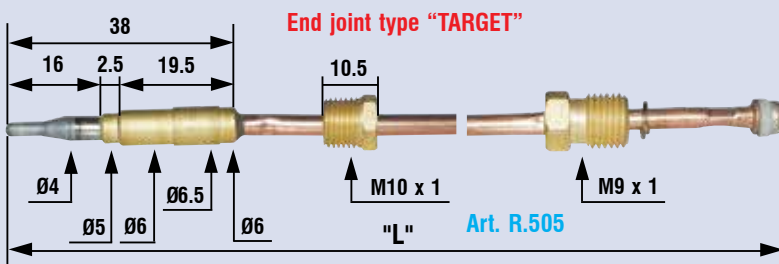


Art. R.503

Threaded end joint M 8 x 1

M 8x1

"L"



Art. R.505

End joint type "TARGET"

M10 x 1

M9 x 1

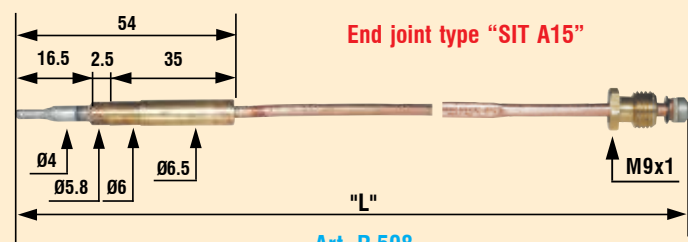
"L"



Art. R.507.40

VILL joint for "VAILLANT"

M 8x1

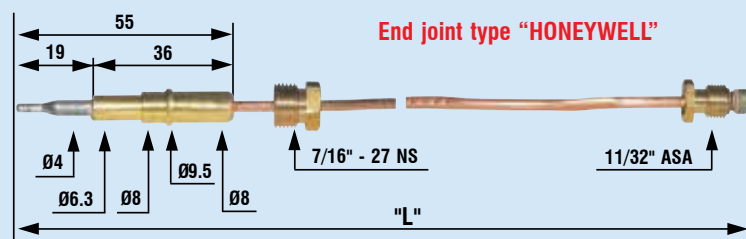


Art. R.508

End joint type "SIT A15"

M9x1

"L"



Art. R.509

End joint type "HONEYWELL"

7/16" - 27 NS

11/32" ASA

"L"

Art. R.509 - Thermocouples for boilers and water heaters with connection fitting M 7/16"-27NS for joint and connector "ASA 11/32". Joint type "HONEYWELL".

Art. code	Lenght "L" mm.	Price £/quantity ≥		
		1	10	50
R.509.45	450	2.51	2.29	2.19
R.509.60	600	2.98	2.72	2.60
R.509.90	900	3.81	3.49	3.32

For installation with different fittings see adaptors on page 118 (F).

Art. R.501 - Thermocouple for electrostatic gas valve with unified joint and connection fitting 11/32" (ASA).

Art. code	Lenght "L" mm.	Price £/quantity ≥	
		1	10
R.501.22	225	1.76	1.60
R.501.50	500	1.74	1.60
R.501.90	900	3.05	2.80
R.501.12	1200	3.03	2.78

For installation with different fittings see adaptors on page 118 (F).

Art. R.502 - Thermocouple for electrostatic gas valve with unified joint and connection fitting.

Art. code	Lenght "L" mm.	Connection fitting	Price £/quantity ≥	
			1	10
R.502.50	500	M 9 x 1	2.53	2.31
R.502.51	600	M 10 x 1	2.26	2.07
R.502.90	900	M 9 x 1	3.05	2.79
R.502.91	900	M 10 x 1	3.05	2.80
R.502.12	1200	M 9 x 1	3.72	3.42
R.502.13	1200	M 10 x 1	3.51	3.22

For installation with different fittings see adaptors on page 118 (F).

Art. R.503 - Thermocouple for electrostatic valve (valved household appliances such as stoves, ovens etc.) with threaded joint M. 8 x 1 and connection fitting M. 8 x 1.

Art. code	Lenght "L" mm.	Price £/quantity ≥	
		1	10
R.503.30	300	1.76	1.61
R.503.50	500	2.44	2.24
R.503.90	900	3.25	2.99

For installation with different fittings see adaptors on page 118 (F).

Art. R.505 - Thermocouples for boilers and water heaters with M10x1 connection nut (TARGET-type junction).

Model	With fixing nut M. 10 x 1					
	Lenght. "L"		600 mm.		1000 mm.	
Art. code	R.505.28		R.505.60		R.505.10	
Quantity ≥	1	10	1	10	1	10
Price £	2.22	2.02	2.03	1.86	3.61	3.30

Art. R.507.40 - Thermocouple for "VAILLANT" boilers water heaters and other brands.

With "VILL" end and fitting M 8 x 1 - Lenght "L" 400 mm.

Quantity ≥	Price £	
	1	1.92

Art. R.508 - Thermocouples for boilers and water heaters with connection fitting M 9 x 1. Joint type "SIT A15".

Art. code	Lenght "L" mm.	Price £/quantity ≥	
		1	10
R.508.40	400	2.08	1.91
R.508.90	900	3.09	2.84

For installation with different fittings see adaptors on page 118 (F).

**SUPER UNIVERSAL THERMOCOUPLE**



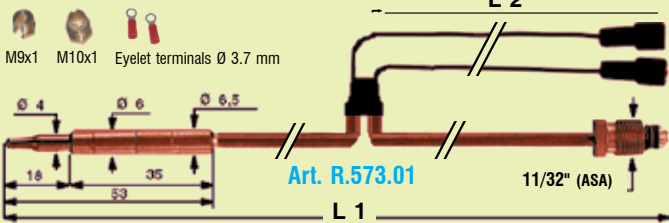
Art. R.532.90

**UNIVERSAL THERMOCOUPLE**

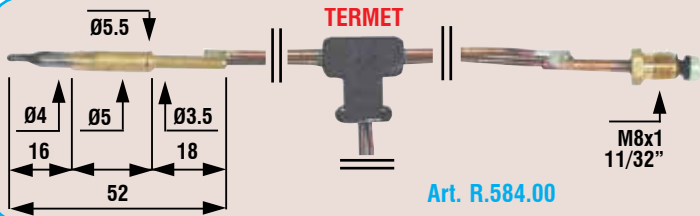


Art. R.535.90

**STANDARD SPLIT-WIRE THERMOCOUPLE WITH ADAPTORS**



Art. R.573.01



Art. R.584.00

**Milled adaptors for connection to gas valve**



Art. R.550.20



Art. R.550.30



Art. R.550.40

**Thermocouple nuts**



Art. R.551.10



Art. R.551.30



Art. R.551.40



Art. R.551.50



Art. R.551.60



Thermocouple interrupters  
Art. R.553

**Art. R.553 - Pack of 5 insertion thermocouple interrupters M.F.**

Electrical interruption connections Faston M.

Art. code	Conn. x valve	Price £	Art. code	Conn. x valve	Price £
R.553.91	M. 8 x 1 - F. 8 x 1	37.45	R.553.93	M. 10 x 1 - F. 10 x 1	39.21
R.553.92	M. 9 x 1 - F. 9 x 1	37.45	R.553.94	M. 11/32 - F. 11/32	37.45

**Universal thermocouple tester**



Art. F.760.00

**Art. F.760.00 - Universal thermocouple tester for gas boilers "TESTELEMANT".**

This device allows for the controlling of the performance and condition of all types of thermocouples for boilers and gas cookers. It works without external power supply and is suitable also for intercepted thermocouples. Complete with milled adaptor for different threading and alligator clips to allow for the testing of all types of thermocouples.

Price £ 61.08

**Split-wire thermocouple**

**CHAFFOTEAUX**



Art. R.571.00

**JUNKERS-BOSCH**



Art. R.572.01

**Art. R.532.90 - Super universal thermocouple. Length 900 mm.**

It is suitable for "Honeywell" pilot burners and also for most manufacturers (boilers, water heaters, stoves): Robertshaw - Sit - White Rogers - Junkers - Control Co. CC/AP - General Control.

Purchase quantity ≥	1	10	50
Price £	3.81	3.49	3.32

**Art. R.535.90 - Universal thermocouple. Length 900 mm. Unified joint.**

Complete with the necessary connections for fixing the thermocouple on pilot flame and gas valves: Junkers - Sit - Catoba - Honeywell - Control Co. - White Rogers.

Purchase quantity ≥	1	10	50
Price £	3.60	3.28	3.13

**Art. R.571.00 - Shut-off thermocouple for boilers and water heaters compatible with "CHAFFOTEAUX ET MAURY". With ring terminals.**

Purchase quantity ≥	1	10	50
Price £	8.18	7.78	7.39

**Art. R.572.01 - Thermocouple split-wire compatible for boilers and water heaters "JUNKERS-BOSCH".**

Length of sensitive element section: 1.200 mm.  
Length of the valve connection section: 1.100 mm.

Purchase quantity ≥	1	10	50
Price £	14.22	13.53	12.86

**Art. R.573.01 - Split-wire standard thermocouple for boilers and water heaters. Length mm L1 x L2 = 800 x 830.**

With joint fixing coupler M10 x 1M with milled double cone.. Complete with valve fittings: 11/32" (ASA)- M9 x 1 - M10 x 1. Complete with lugs for connection to the thermostat: 2 Faston 6.3 x 0.8 - 2 eyelet cable Ø 3.7. Suitable for replacement on various devices.

Purchase quantity ≥	1	10	50
Price £	5.37	4.91	4.67

**Art. R.584.00 - Split-wire thermocouple compatible with "TERMET" (Reference 370.22.02.00). Connection M. 8 x 1.**

Thermocouple length: 280 mm. - Without thermostat - For the thermostat see Art. R.198 on page 35 (F) or page 174 (F).

Art. code	Connection	Price £/Pack.	
		1	10
R.584.00	M8x1	4.61	4.23
R.584.01	11/32"	5.13	4.68

**Art. R.550 - Pack of 10 milled adaptors for connecting the thermocouple to the gas valve.**

Art. code	Model	Price £/Pack.
R.550.20	M 10 x 1 for diesel valve installation for burner mounting fixing	5.99
R.550.30	Milled fitting M 10 x 1 e M 8 x 1	10.29
R.550.40	Connecting grip M 10 x 1	7.81

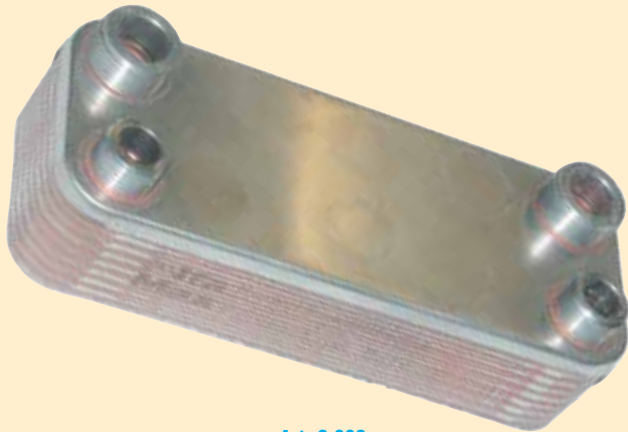
**Art. R.551 - Pack of 10 fixing nuts for thermocouples, electrodes etc.**

Art. code	Model	Price £/Pack.
R.551.10	M. 10 x 1 M. with milled bicone	4.41
R.551.30	Milled bush M. 6 x 0.75	8.12
R.551.40	Spacer Ø 6.5 x 20	5.30
R.551.50	Connection M. 11 x 1 plain middle	5.07
R.551.60	Connection M. 11 x 1 threaded M. 6 x 0.75	5.61

**Model dimensions 190 x 75**

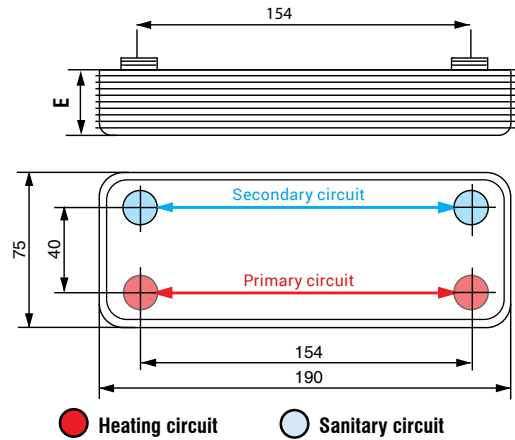
**With threaded connections**

**Parallel flow**



Art. S.002

**Dimensional drawing 190x75**



**Art. S.002 - Heat exchanger "AlfaMax" type SW 190 x 75 instant brazed stainless steel plates. Threaded connections. Compatible with ALFALAVAL BP10, SWEP E5N and ZIL-MET ZB190.**

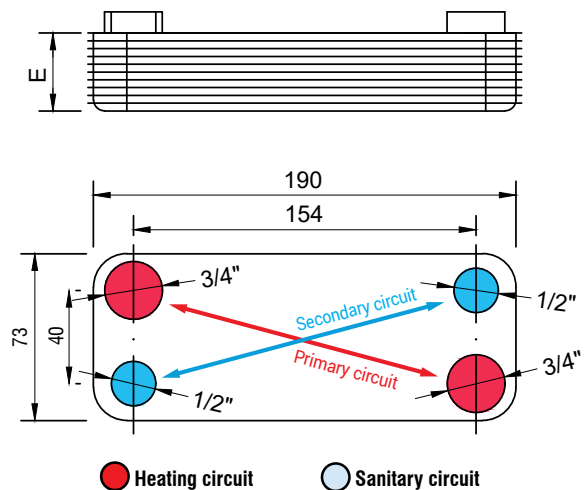
To equip boilers with domestic hot water production. Max pressure: 10 bar. The absorption data below are calculated according to the following temperatures: primary circuit 80°C/60°C - secondary circuit 15°C/50°C.

Art. code	No. of Plates	Thread Connectione Ø		Compatible with boilers	Absorption KW	Charge loss	Dimensions mm E	Price £/quantity ≥	
		● Heating circuit	● Sanitary circuit					1	5
S.002.54	14	3/4" M	1/2" M	FERROLI, CHAFFOTEAUX, FONTECAL, and other brands	35	2.6	38.4	26.44	25.61
S.002.56	16	3/4" M	1/2" M	FERROLI, RIELLO/BENEFIT, and other brands	40	2.6	42.9	28.83	27.92
S.002.20	20	3/4" M	1/2" M	FERROLI, and other brands	49	2.8	51.8	33.63	32.56
S.002.28	28	3/4" M	1/2" M	BERETTA - RIELLO, and other brands	47	2.7	69.7	45.49	44.13
S.002.84	14	3/4" M	3/4" M	FERROLI, PENSOTTI, and other brands	35	2.6	38.4	25.32	24.52
S.002.86	16	3/4" M	3/4" M	FERROLI, PENSOTTI, and other brands	40	2.6	42.9	27.77	26.89
S.002.80	20	3/4" M	3/4" M	FERROLI, PENSOTTI, and other brands	49	2.8	51.8	32.55	31.53

**Crossflow**



Art. S.018



**Art. S.018 - Heat exchanger "AlfaMax" type SW 190 x 75 instant brazed stainless steel plates, crossflows with threaded connections. Spare part for boilers.**

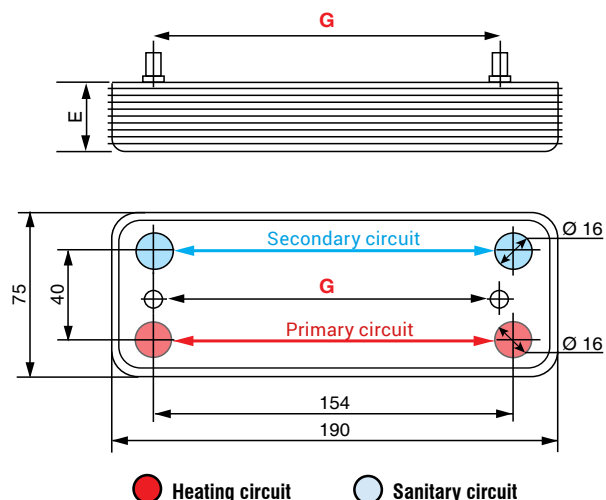
Art. code	No. of Plates	Compatible with boilers	H	Price £/quantity ≥	
				1	5
S.018.12	12	Defined brands for dimensions and No. of plates	33.9	24.04	23.30
S.018.14	14	Defined brands for dimensions and No. of plates	38.4	26.44	25.61
S.018.16	16	Defined brands for dimensions and No. of plates	42.9	28.83	27.92

Parallel flow



Art. S.003

Dimensional drawing 190x75



Art. S.003 - "AlfaMax" heat exchanger SW 190 x 75 instantaneous plate type in brazed stainless steel with quick stud connections. As spare part for boilers. Compatible with ALFALAVAL BP10, SWEP E5N and ZILMET ZB190. Circuit ports Ø16 - Dimension G is defined from the center of concentric holes on one side of the circuit.

Art. code	No. of Plates	Compatible with boilers	Dimensions mm.		Price £/quantity ≥	
			E	G*	1	5
S.003.92	12	ARISTON, CHAFFOTEAUX, MTS	33.9	142	18.96	18.35
S.003.94	14	ARISTON, CHAFFOTEAUX, MTS	38.4	142	21.36	20.68
S.003.96	16	ARISTON, CHAFFOTEAUX, MTS	42.9	142	23.75	23.00
S.003.80	10	ARCA, BALTUR, CHAFFOTEAUX/Calydra, RHOSS, SANT'ANDREA, SAVIO, VISSMANN, and other brands defined for dimensions and No. of plates.	30	148	17.76	17.20
S.003.81	12	ARCA, BALTUR, BIASI-SAVIO, CHAFFOTEAUX/Calydra, RHOSS, SANT'ANDREA, SIME, and other brands defined for dimensions and No. of plates.	33.9	148	20.15	19.52
S.003.84	14	ARCA, BALTUR, BIASI-SAVIO, CHAFFOTEAUX/Calydra, RHOSS, SANT'ANDREA, SIME, VISSMANN, and other brands defined for dimensions and No. of plates.	36	148	22.55	21.84
S.003.86	16	ARCA, BALTUR, BIASI-SAVIO, CHAFFOTEAUX/Calydra, FERROLI, RHOSS, SANT'ANDREA, SIME, and other brands defined for dimensions and No. of plates.	42.9	148	24.95	24.16
S.003.88	18	ARCA, BALTUR, BIASI-SAVIO, CHAFFOTEAUX/Calydra, FERROLI, RHOSS, SANT'ANDREA, SIME, and other brands defined for dimensions and No. of plates.	48	148	18.42	17.84
S.003.82	20	FERROLI, VISSMANN, and other brands defined for dimensions and No. of plates	51.8	148	29.75	28.80
S.003.85	24	ARISTON, CHAFFOTEAUX, and other brands defined for dimensions and No. of plates	60	148	35.30	35.00
S.003.76	26	VISSMANN, and other brands defined for dimensions and No. of plates	63	148	36.94	35.77
S.003.83	30	ARISTON, BIASI	74.2	148	41.72	40.41
S.003.32	12	IMMERGAS/ICHS	33.9	151	20.15	19.52
S.003.36	16	IMMERGAS/ICHS	40	151	24.95	24.16
S.003.40	10	IMMERGAS, RADIANT, VISSMANN, and other brands defined for dimensions and No. of plates	28	154 (stud dist. centered w/ conn.)	17.76	17.20
S.003.42	12	ARCA, IMMERGAS, BOSCH, VISSMANN, and other brands defined for dimensions and No. of plates	33.9	154 (stud dist. centered w/ conn.)	20.15	19.52
S.003.44	14	ARCA, IMMERGAS, RADIANT, VISSMANN, and other brands defined for dimensions and No. of plates	37.4	154 (stud dist. centered w/ conn.)	22.55	21.84
S.003.46	16	IMMERGAS, RADIANT, and other brands defined for dimensions and No. of plates	42	154 (stud dist. centered w/ conn.)	24.95	24.16
S.003.41	20	IMMERGAS, RADIANT, VISSMANN, and other brands defined for dimensions and No. of plates	51.8	154 (stud dist. centered w/ conn.)	29.75	28.80
S.003.43	22	IMMERGAS, and other brands defined for dimensions and No. of plates	56.3	154 (stud dist. centered w/ conn.)	32.14	31.13
S.003.45	24	RADIANT, and other brands defined for dimensions and No. of plates	60.8	154 (stud dist. centered w/ conn.)	34.54	33.44
S.003.71	10	BONGIOANNI, FERROLI and other brands	29.4	160	17.73	17.17
S.003.74	14	BONGIOANNI, FERROLI and other brands	38.4	160	22.55	21.84
S.003.75	16	BONGIOANNI, FERROLI and other brands	42.9	160	24.95	24.16

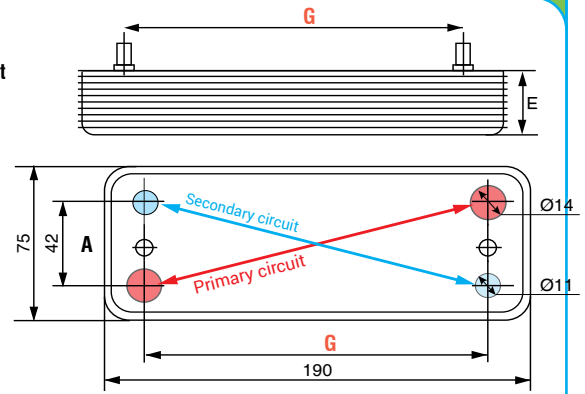
\*Variable quota from bottom to top.

## Crossflow



Art. S.015

- Heating circuit
- Sanitary circuit



Art. S.015 - "AlfaMax" heat exchanger SW 190 x 75 instantaneous plate type in brazed stainless steel with cross-flow configuration. Stud connection center distance 154 mm. Used as boiler spare part. Compatible with ALFA LAVAL - SWEP - ZILMET. Dimension G is defined from the point of concentricity of the holes on one side of the circuits.

Art. code	No. of Plates	Compatible with boilers	Dimensions mm.			Ø outlet holes mm.		Price £/quantity ≥	
			G*	A	E	Primary circuit	Secondary circuit	1	5
S.015.12	12	ARCA - STEP, and other brands	154	40	33.4	16	14	20.15	19.55
S.015.14	14	ARCA - STEP, and other brands	154	40	37.9	16	14	22.55	21.87
S.015.22	22	IMMERGAS, and other brands	154	40	47.1	16	14	32.14	31.18
S.015.34	14	BALTUR - ITALTHERM and other brands	160	40	37.9	16	12	22.55	21.87
S.015.36	16	BALTUR - ITALTHERM and other brands	160	42	42.9	16	12	24.75	23.65

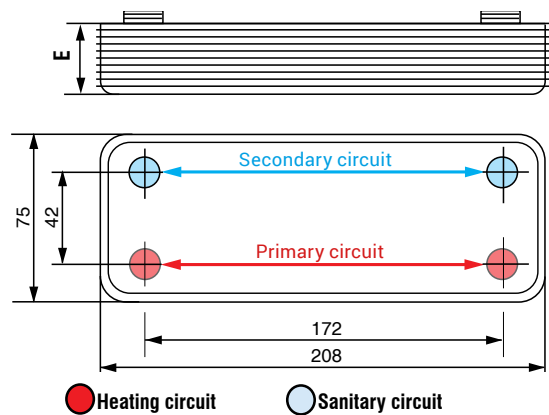
## Model dimension 208 x 75 parallel flow

### With threaded connections



Art. S.004

### Dimensional drawing 208x75



Art. S.004 - Heat exchanger "AlfaMax" type XS 208 X 75 instant brazed stainless steel plates. Threaded connections, compatible ALFALAVAL CB14, SWEP and ZILMET.

To equip boilers with domestic hot water production. Max pressure:10 bar. The absorption data below are calculated according to the following temperatures: primary circuit 80°/60°C - secondary circuit 15°/50°C.

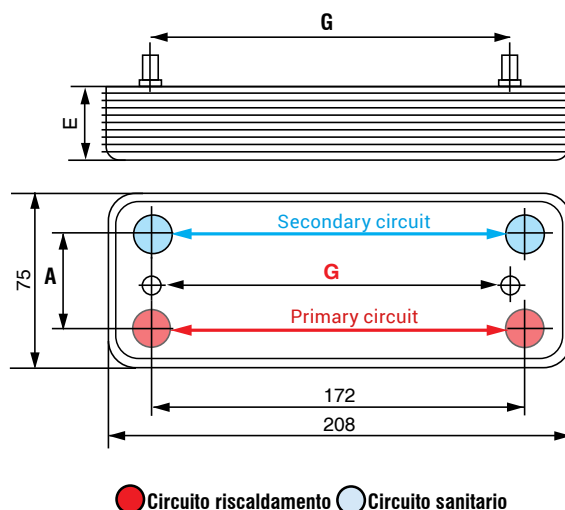
Art. code	No. of Plates	Compatible with boilers	Threaded connections Ø		Absorption KW	Charge loss	Dimensions mm.	Price £ /Quantity ≥	
			● Heating circuit	● Sanitary circuit				1	5
S.004.52	12	VAILLANT VCW + Connections Kit <b>page 136(F)</b> , VAILLANT VMW + Connections Kit <b>page 136(F)</b> , CHAFFOTEAUX + Connections Kit <b>page 136(F)</b> , PENSOTTI, SARIGAS and other brands defined for dimensions and no. of plates.	3/4" M.	1/2" M.	30	2.5	33.9	28.93	28.02
S.004.74	14	VAILLANT VCW + Connections Kit <b>page 136(F)</b> , UNICAL, PENSOTTI, SARIGAS and other brands defined for dimensions and no. of plates.	3/4" M.	1/2" M.	35	2.6	38.4	32.07	31.05
S.004.76	16	ECOFLAM, ATM. and other brands defined for dimensions and no. of plates	3/4" M.	1/2" M.	40	2.6	42.9	35.21	31.05
S.004.68	18	brands defined for dimensions and No. of plates	3/4" M.	1/2" M.	45	2.6	47.3	38.35	37.14
S.004.70	20	BRedJE, RAVENHEAT, LAMINOX and other brands defined for dimensions and no. of plates.	3/4" M.	1/2" M.	50	2.7	51.8	41.51	40.20
S.004.80	30	FERROLI, LAMINOX and other brands defined for dimensions and no. of plates.	3/4" M.	1/2" M.	75	2.7	74.2	57.24	55.43
S.004.83	30	For circuit separation, and other	3/4" M.	3/4" M.	75	2.7	74.2	56.77	54.98
S.004.99	40	For circuit separation, and other	3/4" M.	3/4" M.	100	2.8	96.6	72.97	70.65

## With quick connections



Art. S.005

### Dimensional drawing 208x75



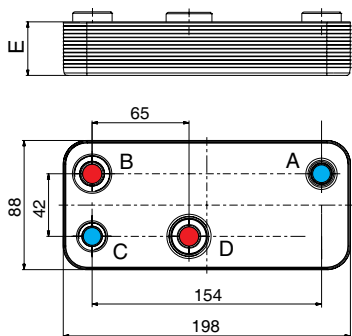
**Art. S.005 - "AlfaMax" heat exchanger XS 208 x 75 brazed stainless steel plate type with quick stud connections. As spare part for boilers. Compatible with ALFAVAL CB14, SWEP and ZILMET. Dimension G is defined from the center of concentric holes on one side of the circuit.**

Art. code	No. of Plates	Compatible with boilers	Dimensions mm.			Ø outlet holes mm.		Price £/quantity ≥	
			G*	A	E	Pr. circuit	Sec. circuit	1	5
S.005.22	12	And other brands defined for dimensions and No. of plates	156.5	40	33.4	14	14	25.02	24.24
S.005.24	14	And other brands defined for dimensions and No. of plates	156.5	40	37.9	14	14	28.16	27.27
S.005.28	18	And other brands defined for dimensions and No. of plates	156.5	40	47.1	14	14	34.47	33.38
S.005.32	12	And other brands defined for dimensions and No. of plates	166	40	34	16	16	23.77	23.02
S.005.34	14	FONDITAL, brands identifiable by dimensions and number of plates	166	40	40	16	16	28.16	27.27
S.005.83	10	ARGO, BAXI/LUNA, brands identifiable by dimensions and number of plates	156.5	42	31	14	14	24.82	24.04
S.005.82	12	ARGO, BAXI/LUNA, brands identifiable by dimensions and number of plates	156.5	42	34	14	14	27.94	27.06
S.005.72	12	BAXI, BAYMAK, brands identifiable by dimensions and number of plates	156.5	42	32	18	16	25.02	24.24
S.005.84	14	ARGO, BAXI/LUNA, brands identifiable by dimensions and number of plates	156.5	42	39	14	14	31.09	30.10
S.005.74	14	BAXI, BAYMAK, brands identifiable by dimensions and number of plates	156.5	42	36	18	16	28.16	27.27
S.005.85	16	ARGO, BAXI/LUNA, brands identifiable by dimensions and number of plates	156.5	42	47	14	14	35.09	34.80
S.005.88	18	ARGO, BAXI/LUNA, brands identifiable by dimensions and number of plates	156.5	42	48	14	14	37.39	36.21
S.005.81	20	BAXI, brands identifiable by dimensions and number of plates	156.5	42	51.5	14	14	40.58	39.30
S.005.59	10	SAUNIER, brands identifiable by dimensions and number of plates	166	42	29	16	16	24.80	24.08
S.005.60	10	DEMIR DOKUM, brands identifiable by dimensions and number of plates	166	42	29.4	18	16	24.82	24.04
S.005.33	12	DE DIETRICH, BAXI, brands identifiable by dimensions and number of plates	166	40	34.9	14	14	23.50	23.00
S.005.62	12	ELCO, MTS/Ariston, DEMIR DOKUM, SIMAT, ECOFLAM, ELCO, IDEALCLIMA, RHOSS, brands identifiable by dimensions and number of plates	166	42	33.4	18	16	27.94	27.06
S.005.35	14	BAXI, BAYMAK, BROTJE, CHAPPE, brands identifiable by dimensions and number of plates	166	40	39.5	14	14	28.16	27.27
S.005.64	14	MTS/ARISTON, DEMIR DOKUM, SIMAT, ECOFLAM, IDEALCLIMA, ELCO, RHOSS, FONDITAL	166	42	37	18	16	30.76	29.79
S.005.66	16	ELCO, MTS/ARISTON, SIMAT, ECOFLAM, IDEALCLIMA, RHOSS, FONDITAL	166	42	43	18	16	34.25	33.17
S.005.68	18	Brands identifiable by dimensions and number of plates	166	42	47.1	18	16	37.39	36.21
S.005.02	20	Brands identifiable by dimensions and number of plates	166	42	53	18	16	40.28	39.01
S.005.40	10	BAXI, brands identifiable by dimensions and number of plates	166	42	30	14	14	21.90	21.21
S.005.42	12	BAXI, brands identifiable by dimensions and number of plates	166	42	35	14	14	27.94	27.06
S.005.44	14	BAXI, brands identifiable by dimensions and number of plates	166	42	39	14	14	31.09	30.10
S.005.45	20	BAXI, brands identifiable by dimensions and number of plates	166	42	51.5	14	14	40.58	39.30
S.005.55	14	IDROGAS OTMA	172	42	37.9	16	16	26.58	25.75
S.005.75	14	ARISTON, brands identifiable by dimensions and number of plates	178	42	39.5	18	16	28.30	27.90
S.005.70	12	BAXI/OCEAN (Luna), CHAFFOTEAUX (Nectra), DEVILLE, BAXI, brands identifiable by dimensions and number of plates	178	42	33.4	18	16	27.35	26.57
S.005.76	16	BAXI/OCEAN (Luna), CHAFFOTEAUX (Nectra), DEVILLE, brands identifiable by dimensions and number of plates	178	42	42.9	18	16	31.41	30.43
S.005.18	16	HANSA-INOX-TANTUM	182 special	40	44	16	16	31.41	30.43

\*Variable quota from bottom to top.

## Model dimension 198 x 88 crossflow

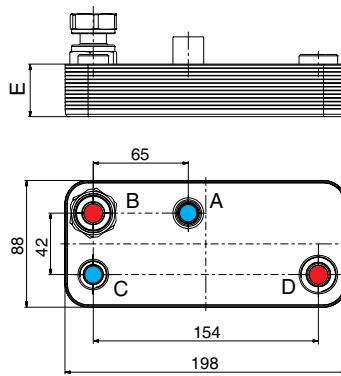
### With threaded connections



Drawing n.0



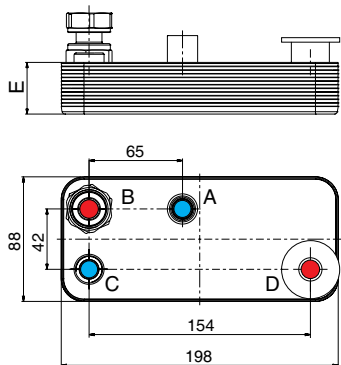
Art. S.006.0-



Drawing n.1



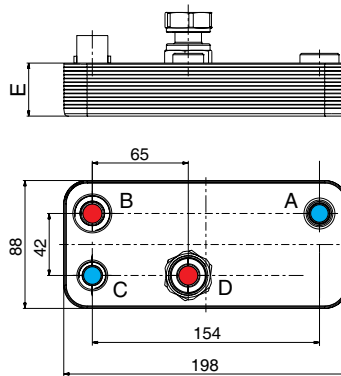
Art. S.006.1-



Drawing n.2



Art. S.006.2-



Drawing n.3



Art. S.006.3-



Heating circuit

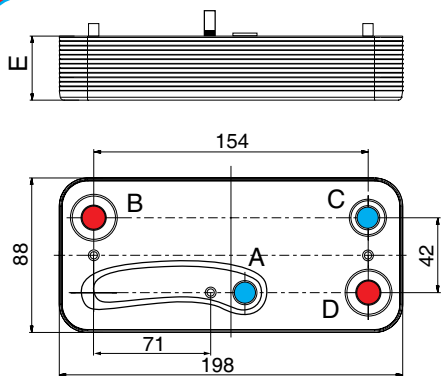


Sanitary circuit

Art. S.006 – Heat exchanger “ALFAMAX” with brazed stainless steel plates, spare parts for boilers.

Drawing	Art. code	No. of Plates	Compatible for boilers	Connections				Dimensions E	Price £/quantity ≥	
				A	B	C	D		1	5
0	S.006.03	13	GIANNONI PCW-H - ZILMET ZB195 - IMMERGAS - GRANT - OTHERS	1/2" M.	3/4" M.	1/2" M.	3/4" M.	36.2	29.43	28.51
	S.006.05	15						40.6	31.98	30.97
	S.006.07	17						45.1	34.54	33.45
	S.006.09	35						84	54.32	52.59
1	S.006.12	12	GIANNONI PCW-H - ZILMET ZB195 - SIME - HERMANN - OTHERS	Ø int. 16	3/4" F. swivel	1/2" M.	3/4" M.	31	28.16	27.27
	S.006.14	14						42.7	30.73	29.76
	S.006.16	16						42	36.46	35.30
2	S.006.22	12	JUNKERS - BOSCH type NOVASTAR ref. 06-4950 - GIANNONI - ZILMET ZB195 - OTHERS	Ø int. 16	3/4" F. swivel	Ø int. 16	Flange Ø est. 41	32	29.16	28.24
	S.006.24	14						37	31.72	30.72
	S.006.26	16						41	37.46	36.28
3	S.006.33	13	GIANNONI PCW-V - ZILMET ZB195 - LAMBORGHINI - BROTJE - ECOFLAM - RAVENHEAT - SILE - THERMOVANA - NOVA - IMMERGAS/MINI - OTHERS	1/2" M.	3/4" M.	Ø int. 16	3/4" F. swivel	35	29.43	28.51
	S.006.35	15						40.6	33.60	32.53
	S.006.37	17						43.4	37.63	36.55

### With quick connections



Drawing n.5



Heating circuit



Sanitary circuit



Art. S.007.5-



For codes not present or products  
you cannot find, PLEASE CONTACT US



Telephone and WhatsApp

**+44 1227 458 684**



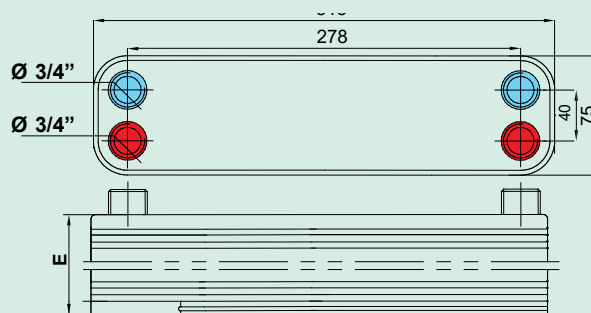
**uk@antaresint.com**

Art. S.007 - Heat exchanger “ALFAMAX” with brazed stainless steel plates, spare part for boilers. Model with quick connections with O-ring.

Drawing	Art. code	No. of Plates	Compatible for boilers	Connections				Dimensions E	Price £/quantity ≥	
				A	B	C	D		1	5
5	S.007.52	12	GIANNONI PCE-H - ZILMET - SIME - OTHERS	Ø est. 13	Ø est. 16	Ø est. 13	Ø est. 16	32	28.16	27.27
	S.007.54	14						37	30.73	29.76
	S.007.56	16						42	33.28	32.24

**Dimension model 315 x 75 parallel flow**

**With coplanar threaded connections**



Art. S.008

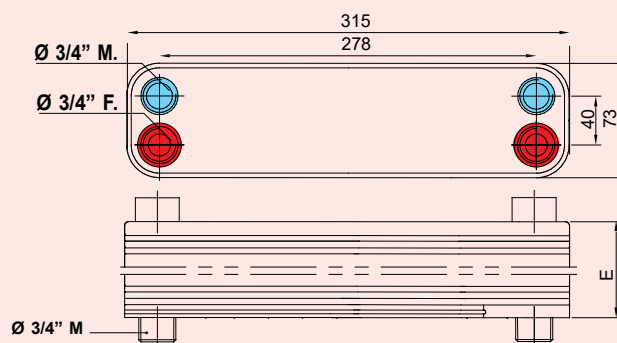
Art. S.008 - Instant heat exchanger "AlfaMax" with brazed stainless steel plates AISI 304, large flow rates, parallel flow. Connections M.

- Exchange surface for each plate: 0.023 m<sup>2</sup> x number of plates - 2.
- Water capacity per channel: 0.04 lt. x number of plates - 1 - Max. pressure 30 bar.

Model with co-planar fittings: 2 x 3/4" M + 2 x 3/4" M.

Art. code	No. of plates	Thermal Exchange surface m <sup>2</sup>	Power KW	"E"	Primary (Water 80/70 °C)		Secondary (Water 60/70 °C)		Price £
					Flow rate m <sup>3</sup> /h	Power m <sup>3</sup> / Charge loss H <sub>2</sub> O	Flow rate m <sup>3</sup> /h	Power m <sup>3</sup> / Charge loss H <sub>2</sub> O	
S.008.12	12	0.23	10	32	0.90	2.6	0.89	2.6	47.87
S.008.16	16	0.32	15	42	1.33	2.7	1.32	2.7	56.50
S.008.20	20	0.41	19	50	1.70	2.8	1.68	2.8	65.12
S.008.24	24	0.50	24	59	2.14	2.8	2.12	2.8	73.75
S.008.32	32	0.64	32	77	2.90	2.7	2.88	2.7	91.02
S.008.50	40	0.87	40	95	3.56	2.9	3.53	2.8	108.27

**With opposite threaded connections**



Art. S.008

Art. S.008 - Instant heat exchanger "AlfaMax" with brazed stainless steel plates AISI 304, large flow rates, parallel flow. Connections M.

- Exchange surface for each plate: 0.023 m<sup>2</sup> x number of plates - 2.
- Water capacity per channel: 0.04 lt. x number of plates - 1 - Max. pressure 30 bar.

Model with opposed connections: on one side: 2 x 3/4" M, on the other side: 2 x 3/4" M + 2 x 3/4" F

Art. code	No. of Plates	Thermal Exchange surface m <sup>2</sup>	Power KW	"E"	Primary (Water 80/70 °C)		Secondary (Water 60/70 °C)		Price £
					Flow rate m <sup>3</sup> /h	Power m <sup>3</sup> / Charge loss H <sub>2</sub> O	Flow rate m <sup>3</sup> /h	Power m <sup>3</sup> / Charge loss H <sub>2</sub> O	
S.008.64	24	0.50	24	60	2.14	2.8	2.12	2.8	76.75
S.008.72	32	0.64	32	75	2.90	2.7	2.88	2.7	94.01
S.008.80	40	0.87	40	95	3.56	2.9	3.53	2.8	111.26

**Especially suited for:**

- Domestic hot water production
- De-coupling between closed circuit and open circuit: (solid fuels with open circuit, gas and diesel with closed circuit)
- De-coupling on old system's dirty circuits with the replacement of a new boiler.

**Important:** the data is explanatory, the KW value is in relation with Δt (difference between inlet and outlet temperature of primary and secondary circuit). The essential value for the choice of a heat exchanger is the entity of the thermal exchange surface.

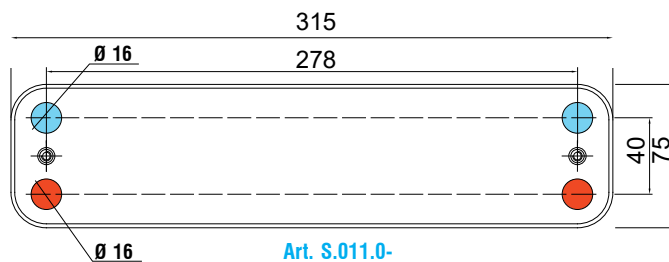
## With quick coplanar connections

### Dimensional model 315x75



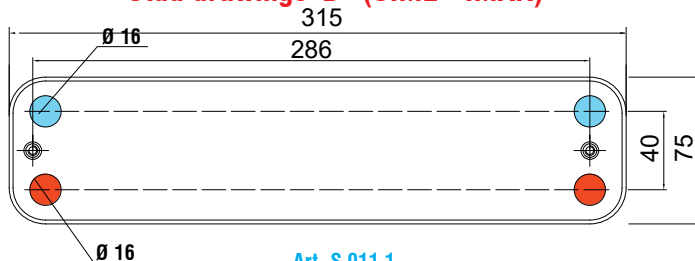
Art. S.011.--

### Stud drawings "A" (SIME)



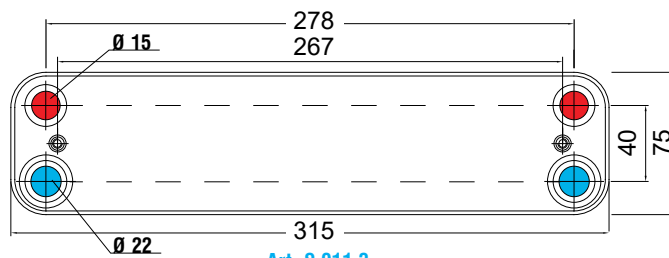
Art. S.011.0-

### Stud drawings "B" (SIME - IMAR)



Art. S.011.1-

### Stud drawings "C" (ATAG)

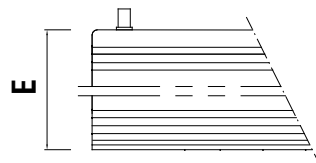


Art. S.011.3-

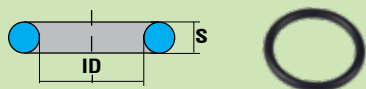
**Item S.011 – "AlfaMax" instantaneous heat exchanger, type XS 315 × 75, with brazed plate type in stainless steel with quick stud connections. As a spare part for boilers. Compatible with ALFALAVAL, ZILMET and SWEP.**

Art. code	Connection layout drawing	No. of Plates	Thickness "E" mm.	Compatible	Price £
S.011.02	A	12	32	SIME and other brands	44.06
S.011.04	A	14	38.9	JUNKERS - BOSCH - WORCESTER rif. 87161066850	48.36
S.011.06	A	16	42	SIME and other brands	52.66
S.011.12	B	12	33.9	IMAR - SIME and other brands	44.06
S.011.16	B	16	42	IMAR - SIME and other brands	52.66
S.011.32	C	12	33.9	ATAG and other brands	44.06
S.011.38	C	18	48.24	ATAG and other brands	60.79

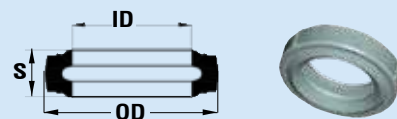
### Thickness "E"



## O-ring gaskets for heat exchangers and boiler groups



Art. F.497



Art. F.499

**Art. F.497 - Pack of 10 NBR rubber O-Rings for coupling of heat exchangers with quick connections.**

Misura Ø DI - S	5.28 x 1.78	7.65 x 1.78	9.19 x 2.62	11.91 x 2.62	13.6 x 2.7	15.54 x 2.62	16 x 2.0	17.86 x 2.62	18.3 x 3.6	23.47 x 2.62
Art. code	F.497.58	F.497.08	F.497.70	F.497.71	F.497.65	F.497.75	F.497.55	F.497.57	F.497.54	F.497.56
Compatible	--	Ariston - Baxi Chaffoteaux Sime	Ariston - Baxi Chaffoteaux - Sime	Baxi	--	Ariston - Baxi Chaffoteaux BSG - Sime	--	Ariston - Baxi Chaffoteaux BSG - Sime	--	Ariston - Baxi Chaffoteaux BSG - Sime
Price £ / conf.	0.75	0.59	2.36	3.70	0.74	2.80	0.79	0.88	1.26	2.49

**Art. F.499 - Pack of 8 NBR rubber washers with internal grooved borders for connection of heat exchangers with quick connections.**

Art. code	Dimensions Ø OD + ID - S	Compatible for	Price £
F.499.00	19 x 11.5 x 8.5	Various boilers types	8.09
F.499.01	22 x 13.75 x 5.9	Vaillant	4.08
F.499.02	25 x 15 x 8	Various boilers types	4.52
F.499.03	28.2 x 17 x 8	Viessmann	2.06
F.499.04	28 x 17 x 8.2	Various boilers types	10.05



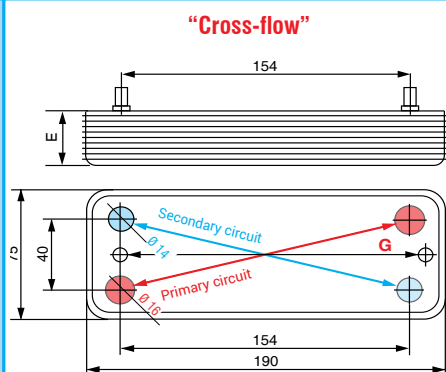
**FOR HEAT EXCHANGERS INSULATING SHELLS PLEASE SEE PAGE 139 (F)**

# Customised heat exchangers with specificities for various brands of boilers

## ARCA - ROCA



Art. S.015



Art. S.015 - Stainless steel plate heat exchanger compatible for ARCA/STEP boilers, crossflow. Dimensional model 190x75. With studs distance (dimension G) of 154 mm.

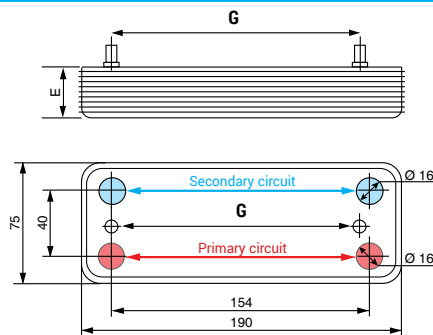
Art. code	No. of plates	Price £/quantity ≥	
		1	10
S.015.12	12	20.15	19.55
S.015.14	14	22.55	21.87
S.015.22	22	32.14	31.18

**N.B: See products associated with BAXI brand**

## ARISTON/MTS/CHAFFOTEAUX



Art. S.003



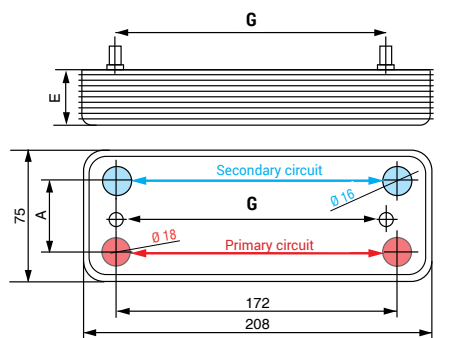
Art. S.003 - Heat exchanger with brazed stainless steel plates compatible for boilers ARISTON/MTS (and other brands). Dimension model 190x75. With circuit holes Ø 16 and 16.

Art. code	No. of plates	Mounting dimension G	Reference code	Price £/quantity ≥	
				1	5
S.003.92	12	142	-	18.96	18.35
S.003.94	14	142	-	21.36	20.68
S.003.96	16	142	-	23.75	23.00
S.003.85	24	148	60000310	35.30	35.00

Art. S.005 - Heat exchanger with brazed stainless steel plates compatible for ARISTON/MTS boilers (and other brands). Model dimensions 208x75. With circuit holes Ø 18 and 16.



Art. S.005



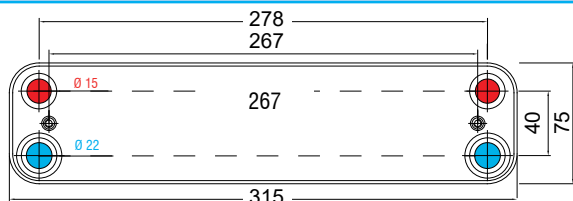
Art. code	No. of Plates	Mounting dimension G	Reference code	Price £/quantity ≥	
				1	5
S.005.62	12	166	-	27.94	27.06
S.005.64	14	166	-	30.76	29.79
S.005.75	14	178	61011164	28.30	27.90
S.005.66	16	166	-	34.25	33.17

**N.B: See also products associated with the CHAFFOTEAUX brand**

## ATAG



Art. S.011.3



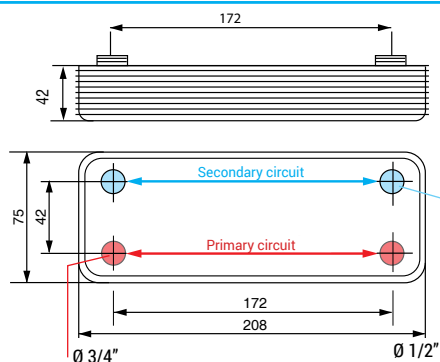
Art. S.011.3 - Stainless steel plate heat exchanger compatible for ATAG boilers, with quick connections.

Dimensional model 315 x 75 - Hole distance: 278 x 40 - Stud distance: 267 - Circuit holes Ø 15 and 22 - Reference code S4462400.

Art. code	No. of Plates	Price £
S.011.32	12	44.06
S.011.38	18	60.79



Art. S.004.76



Art. S.004.76 - Stainless steel plate heat exchanger compatible for ATAG boilers, with threaded connections: 2 x 3/4" - 2 x 1/2" - Number of plates: 16.

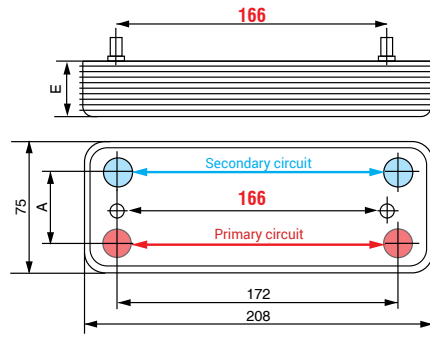
Model dimensions 208 x 75 - Holes distance: 172 x 42.

Purchase quantity ≥	1	5
Price £	35.21	31.05

## BAXI - BAYMAK - BROTJE - CHAPPE



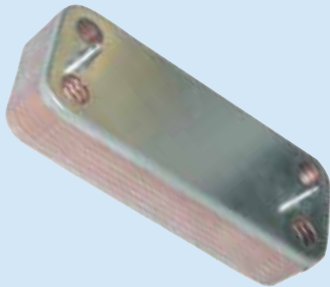
Art. S.005



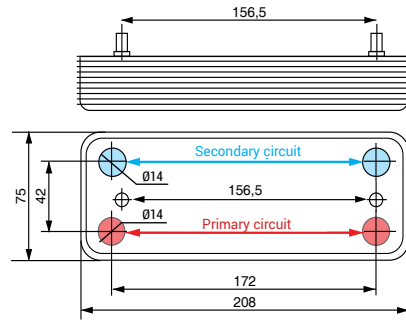
Stud center-to-center distance : 166

Art. S.005 - Brazed stainless steel plate heat exchanger compatible for boilers BAXI (and other brands). Model dimensions 208x75. With outlet holes Ø 14, with a distance between the studs (dimension G) of 166 mm.

Art. code	Outlet center distance A	No. of Plates	Circuit holes Ø	Reference	Price £ /Quantity ≥	
					1	5
S.005.35	40	14	14 - 14	711613000	28.16	27.27
S.005.40	42	10	14 - 14	-	21.90	21.21
S.005.42	42	12	14 - 14	-	27.94	27.06
S.005.44	42	14	14 - 14	-	31.09	30.10
S.005.45	42	20	14 - 14	-	40.58	39.30
S.005.72	42	12	16 - 18	-	25.02	24.24
S.005.74	42	14	16 - 18	-	28.16	27.27



Art. S.005.8-



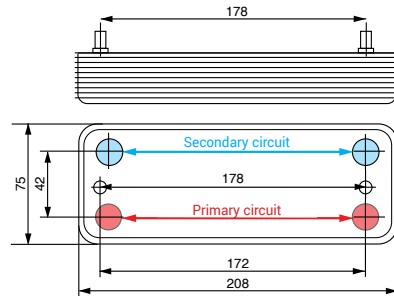
Stud center-to-center distance : 156.5

Art. S.005.8 - Brazed stainless steel plate heat exchanger compatible for boilers BAXI (and other brands). Model dimensions 208x75. With a centre-to-centre distance of the studs (dimension G) of 156.5 mm.

Art. code	No. of Plates	Circuit holes Ø	Price £/quantity ≥	
			1	5
S.005.83	10	14 - 14	24.82	24.04
S.005.82	12	14 - 14	27.94	27.06
S.005.84	14	14 - 14	31.09	30.10
S.005.85	16	14 - 14	35.09	34.80
S.005.88	18	14 - 14	37.39	36.21
S.005.81	20	14 - 14	40.58	39.30



Art. S.005.7-



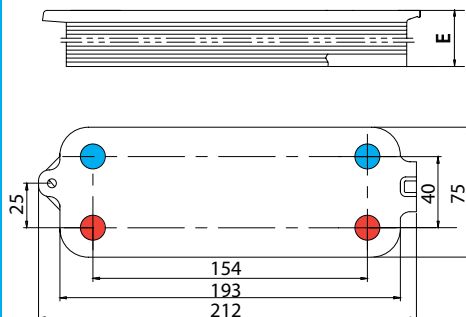
Stud center-to-center distance : 178

Art. S.005.7 - Stainless steel plate heat exchanger compatible for boilers BAXI (and other brands). Model dimensions 208x75. With displaced stud distance (dimension G) of 178 mm. Reference: 5625460.

Art. code	No. of Plates	Circuit holes Ø	Price £	
			1	5
S.005.70	12	16 - 18	27.35	26.57
S.005.76	16	16 - 18	31.41	30.43



Art. S.094



Art. S.094 - Stainless steel plate heat exchanger with plate fixing fins compatible for boilers DE DIETRICH - REMEHA (and other brands). Model dimensions 190 X 75. Distance between outlet holes 154 mm.

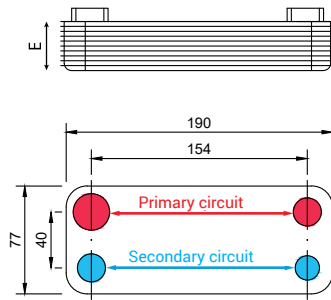
Art. code	No. of Plates	Thickness "E" mm.	Circuit holes Ø	Price £/Quantity ≥	
				1	5
S.094.12	12	37.1	14 - 14	15.19	14.71
S.094.14	14	41.9	14 - 14	16.81	16.28
S.094.16	16	45.7	14 - 14	18.42	17.84
S.094.18	18	56.4	14 - 14	20.03	19.40
S.094.20	20	44.8	14 - 14	22.23	21.81

N.B: Also see products associated with the BAYMAK, BROTJE, CHAPPEE brands

**BERETTA - VOKERA - RIELLO - SYLBER**



Art. S.012



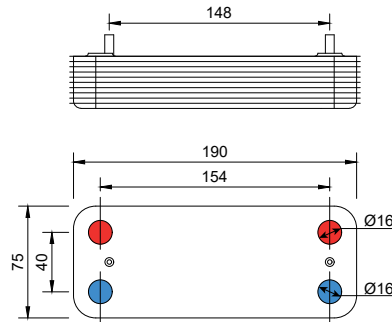
Art. S.012 - Brazed plate heat exchanger in stainless steel compatible for boilers BERETTA/ VOKERA - RIELLO - SYLBER. Model with threaded connections: primary 3/4" M. x 1/2" F.; secondary 1/2" M. x 3/8" F. Mod. dimensions 190 x 75. Centre-to-centre distance: 154 x 40.

Suitable for models: MINUTE - IDRA EXCL - IDRA EXCL TURBO - IDRA EXCL ES - METEO - METEO TURBO. Length 190 mm.

Art. code	No. of Plates	Code Ref.	Price £/quantity ≥	
			1	10
S.012.50	12	R7140	24.04	23.29
S.012.51	16	R7141	28.83	27.92



Art. S.013.5-



Quote Art.S.013.5-

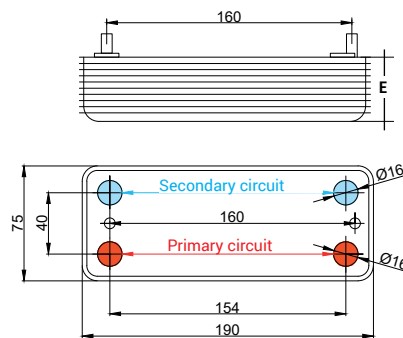
Art. S.013.5 - Brazed plate heat exchanger in stainless steel compatible for BERETTA / VOKERA / RIELLO / SYLBER boilers. Model with O-ring connections.

Suitable for models: IDRA GREEN - IDRA EXCL. - METEO II. Mod. Dimensions 190 x 75. Stud distance: 148.

Art. Codice	Stud center-to-center distance	No. of Plates	Ref. Code	Price £/quantity ≥	
				1	10
S.013.50	148	12	R8036	21.22	20.17
S.013.54	148	14	R8036	22.55	21.87
S.013.51	148	16	R8037	26.26	24.95
S.013.58	148	20	R1957	31.31	29.75



Art. S.013.74



Quote Art.S.013.74

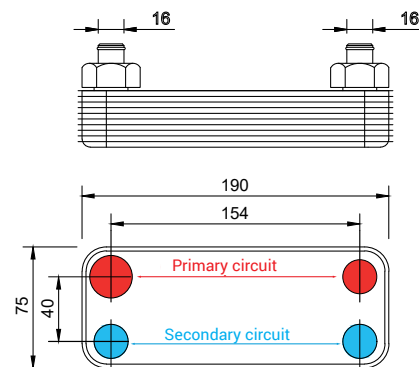
Art. S.013.74 - Heat exchanger with 14 brazed stainless steel plates compatible for boilers BERETTA / VOKERA - RIELLO - SYLBER. Model with O-ring connections. Stud center-to-center distance 160

Suited for models: IDRA GREEN - IDRA EXCL. - METEO II. Dimensional models 190 x 75. - Ref. 22188457

Quantity ≥	1	5
Price £	16.91	16.59



Art. S.014.15



Art. S.014.15 - Heat exchanger with 16 brazed stainless steel plates compatible for boilers BERETTA/ VOKERA - RIELLO type "Benefit" - SYLBER. Connections: on the primary circuit M 30 x 3/4" M., on the secondary circuit 16 diameter quick connections with o-ring. Mod. dimensions 190 x 75. Centre-to-centre distance: 154 x 40.

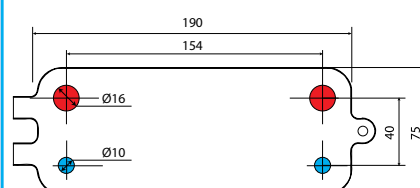
Quantity ≥	1	5
Price £	39.22	37.99

**Note: See here for products associated with the VOKERA, RIELLO, SYLBER brands**

**BOSCH - BUDERUS - ELM LEBLANC - ROCA**



Art. S.095

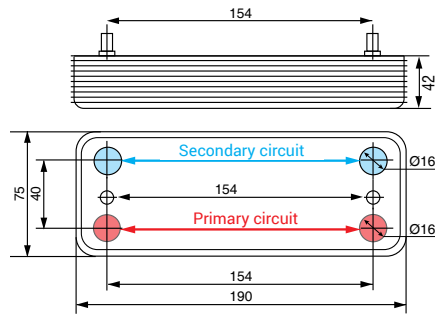


Art. S.095 - Stainless steel plate heat exchanger with plate fixing fins, compatible for BOSCH - BUDERUS - ELM LEBLANC boilers (and other brands). Dimensional model 190 x 75. Outlet holes center distance 154 mm.

Art. code	No. of Plates	Price £/quantity ≥	
		1	5
S.095.12	12	20.51	19.87
S.095.14	14	16.76	16.23
S.095.18	18	29.75	28.79
S.095.20	20	32.14	31.13
S.095.24	24	36.93	35.76
S.095.26	26	39.30	38.45



Art. S.003.42

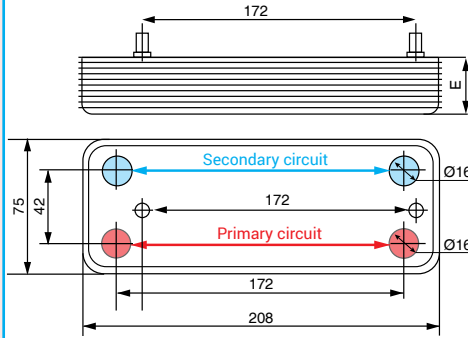


Art. S.003.42 – Heat exchanger with 12 stainless steel plates compatible for Bosch - Junkers - ELM Leblanc boilers (and other brands). Dimensional model 190 × 75. Outlet hole center distance: 154 × 40 – Stud center distance 154 mm.

Quantity ≥	1	5
Price £	20.15	19.52



Art. S.070

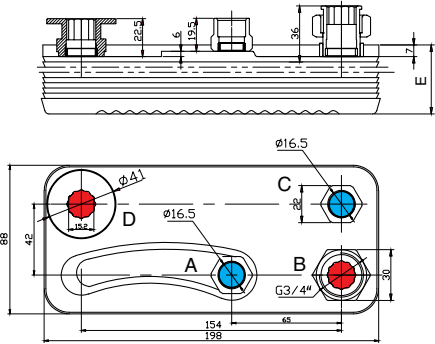


Art. S.070 – Stainless steel plate heat exchanger. Compatible for BOSCH - JUNKERS - ELM LEBLANC boilers (and other brands). Dimensional model 208 × 75 – Outlet hole center distance: 172 × 42 – Non-concentric stud center distance 172 mm.”

Art. code	No. of Plates	Price £/quantity ≥	
		1	5
S.070.10	10	19.75	16.25
S.070.12	12	25.02	24.24
S.070.14	14	28.22	27.33
S.070.16	16	31.41	30.43
S.070.20	20	34.61	33.52



Art. S.006.2-



Art. S.006.2\_ – Plate heat exchanger compatible for 'JUNKERS-BOSCH' NOVASTAR boiler (Ref. 8716142900).

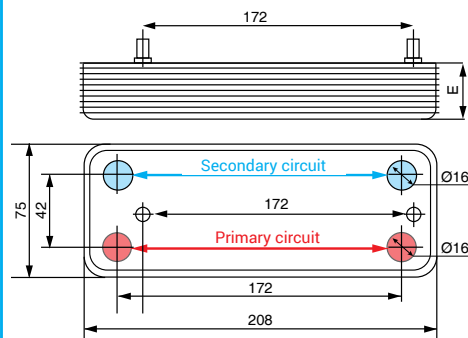
Art. code	S.006.22	S.006.24
No. of Plates	12	14
Thickness 'E' mm.	36.3	42.7
Purchase quantity ≥	1	5
Price £	29.16	28.24
		31.72
		30.72

**Note: See here for products associated with the BUDERUS - ELM LEBLANC - ROCA brands**

**BULEX - SAUNIER DUVAL**



Art. S.070



Art. S.070 - Stainless steel plate heat exchanger. Compatible for BULEX boilers (and other brands). Dimensional model 208 × 75 – Outlet hole center distance: 172 × 42 – Non-concentric stud center distance 172 mm.

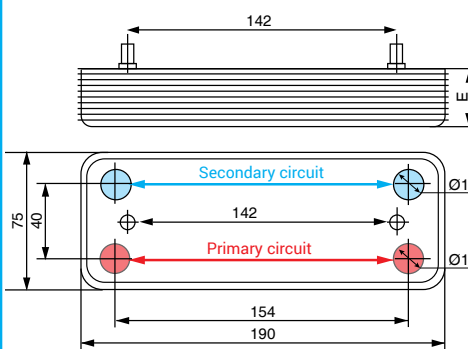
Art. code	No. of Plates	Price £/quantity ≥	
		1	5
S.070.10	10	19.75	16.25
S.070.12	12	25.02	24.24
S.070.14	14	28.22	27.33
S.070.16	16	31.41	30.43
S.070.20	20	34.61	33.52

**Note: See here for products associated with the SAUNIER DUVAL brand**

**CHAFFOTEAUX - ARISTON - MTS**



Art. S.003.9-



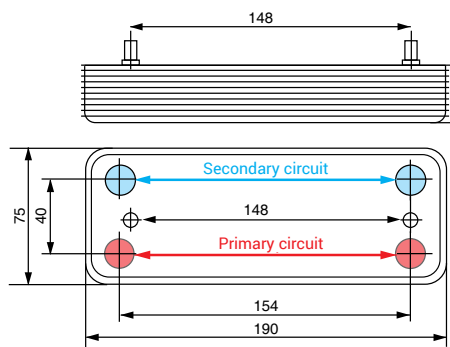
Art. S.003.9\_ - Brazed stainless steel plate heat exchanger compatible for CHAFFOTEAUX boilers (and other brands). Dimensional model 190 × 75. With stud center-to-center distance (G dimension, center relative to outlets): 142 mm.

Art. code	No. of Plates	Price £/quantity ≥	
		1	5
S.003.92	12	18.96	18.35
S.003.94	14	21.36	20.68
S.003.96	16	23.75	23.00

### Calydra



Art. S.003.8-



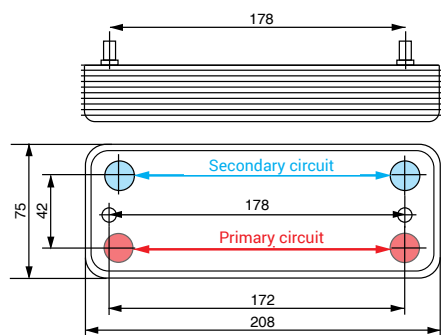
Art. S.003.8\_ - Brazed stainless steel plate heat exchanger compatible for CHAFFOTEAUX Calydra boilers (and other brands). Dimensional model 190 × 75. Stud center-to-center distance (G dimension): 148 mm.

Art. code	No. of Plates	Price £/quantity ≥	
		1	5
S.003.80	10	17.76	17.20
S.003.81	12	20.15	19.52
S.003.84	14	22.55	21.84
S.003.86	16	24.95	24.16
S.003.88	18	18.42	17.84

### Ocean-Nectra Deville



Art. S.005.7-



Art. S.005.7\_ - Stainless steel plate heat exchanger compatible for CHAFFOTEAUX boilers (and other brands). Dimensional model 208 × 75. With offset mounting support (G dimension) of 178 mm. Reference 5625460.

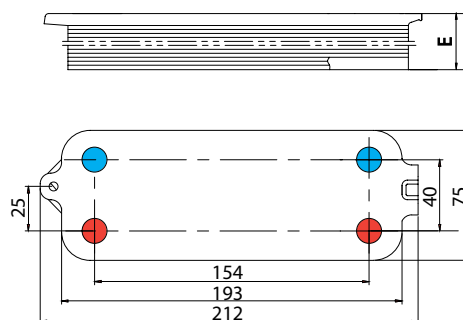
Art. code	No. of Plates	Price £/quantity ≥	
		1	5
S.005.70	12	27.35	26.57
S.005.76	16	31.41	30.43

**Note: See here for products associated with the ARISTON brand**

### DE DIETRICH - BAXI - REMEHA



Art. S.094

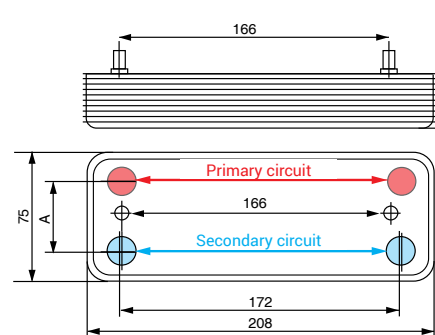


Art. S.094 - Stainless steel plate heat exchanger with plate fixing fins compatible for boilers DE DIETRICH - REMEHA (and other brands). Model dimensions 190 X 75. Distance between outlet holes 154 mm. Ref: 5101750.

Art. code	No. of Plates	Price £/quantity ≥	
		1	5
S.094.12	12	15.19	14.71
S.094.14	14	16.81	16.28
S.094.16	16	18.42	17.84
S.094.18	18	20.03	19.40
S.094.20	20	22.23	21.81



Art. S.005.3-



Art. S.005.3\_ - Brazed stainless steel plate heat exchanger compatible for BAXI - REMEHA - DE DIETRICH boilers. Dimensional model 208 × 75. Stud center-to-center distance (G dimension): 166 mm.

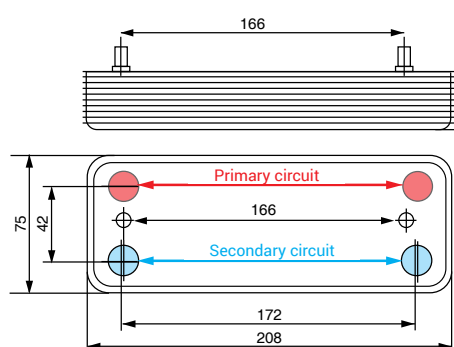
Art. code	Outlet center distance A	No. of Plates	Circuit holes Ø	Reference	Price £/Quantity ≥	
					1	5
S.005.33	40	12	14 - 14	7693815	23.50	23.00
S.005.35	40	14	14 - 14	711613000	28.16	27.27

**Note: See here for products associated with the BAXI - REMEHA brands**

### ELCO



Art. S.005.6-



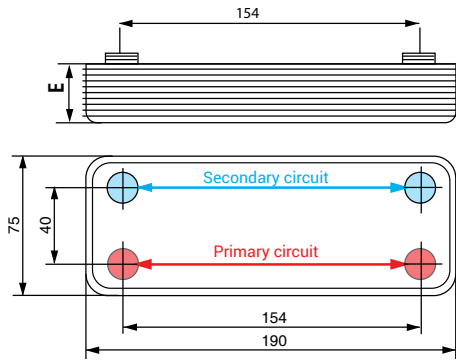
Art. S.005.6\_ - Brazed stainless steel plate heat exchanger compatible for ELCO boilers (and other brands). Dimensional model 208 × 75. Stud center-to-center distance (G dimension): 166 mm.

Art. code	No. of Plates	Price £/quantity ≥	
		1	5
S.005.62	12	27.94	27.06
S.005.64	14	30.76	29.79
S.005.66	16	34.25	33.17

## FERROLI



Art. S.002

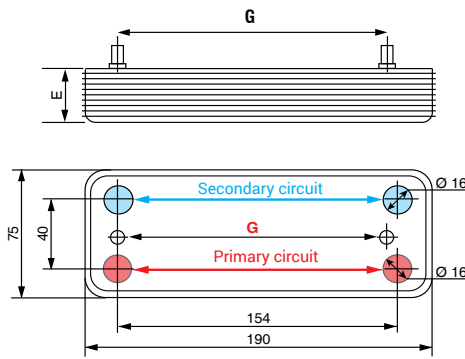


Art. S.002 - Brazed stainless steel plate heat exchanger compatible for FERROLI boilers (and other brands). Model dimensions 190x75.

Art. code	No. of Plates	Thread connections Ø		Price £ /Quantity ≥	
		● Heating circuit	● Sanitary circuit	1	5
S.002.54	14	3/4" M	1/2" M	26.44	25.61
S.002.56	16	3/4" M	1/2" M	28.83	27.92
S.002.20	20	3/4" M	1/2" M	33.63	32.56
S.002.28	28	3/4" M	1/2" M	45.49	44.13
S.002.84	14	3/4" M	3/4" M	25.32	24.52
S.002.86	16	3/4" M	3/4" M	27.77	26.89
S.002.80	20	3/4" M	3/4" M	32.55	31.53



Art. S.003



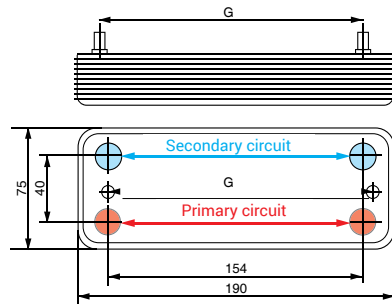
Art. S.003 - Heat exchanger with brazed stainless steel plates compatible for boilers FERROLI (and other brands). Model dimensions 190x75. With 148 mm centre-to-centre distance (point G).

Art. code	No. of Plates	E	Price £/quantity ≥	
			1	5
S.003.80	10	30	17.76	17.20
S.003.81	12	33.9	20.15	19.52
S.003.84	14	36	22.55	21.84
S.003.86	16	42.9	24.95	24.16
S.003.88	18	48	18.42	17.84
S.003.82	20	51.8	29.75	28.80
S.003.76	26	65.2	36.94	35.77
S.003.83	30	74.2	41.72	40.41

## FONDITAL



Art. S.003.7-

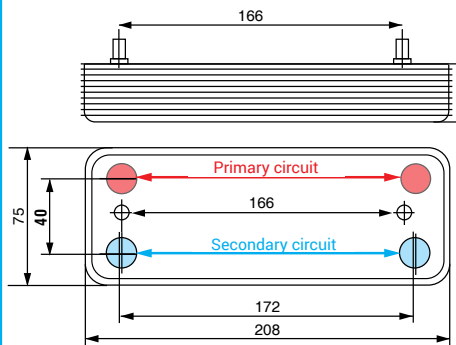


Art. S.003.7 - Brazed stainless steel plate heat exchanger compatible for FONDITAL boilers (and other brands). Dimensional model 190 x 75. Stud center-to-center distance (G dimension): 160 mm.

Art. code	No. of Plates	Price £/quantity ≥	
		1	5
S.003.71	10	17.73	17.17
S.003.74	14	22.55	21.84
S.003.75	16	24.95	24.16



Art. S.005.34



Art. S.005.34 - Stainless steel plate heat exchanger compatible for FONDITAL boilers, with quick connections - Number of plates: 14.

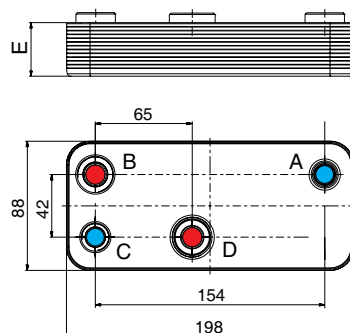
Dimensional model 208 x 75 - Hole center distance: 172 x 40. Stud center distance: 166.

Purchase quantity ≥	1	5
Price £	28.16	27.27

## GRANT



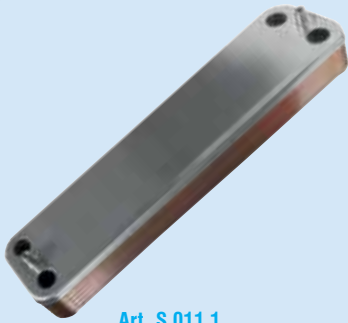
Art. S.006.09



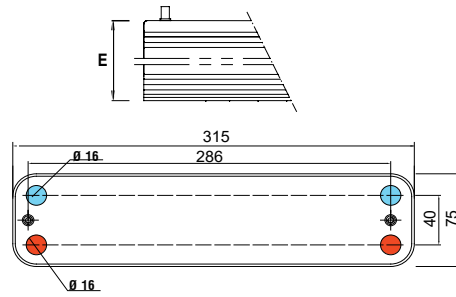
Art. S.006.09 - 'ALFAMAX' brazed stainless steel plate heat exchanger, as a spare part for boilers. Compatible for GRANT boilers (and other brands).

Art. code	No. of Plates	Price £/quantity ≥	
		1	5
S.006.09	35	54.32	52.59

## IMAR GROUP



Art. S.011.1



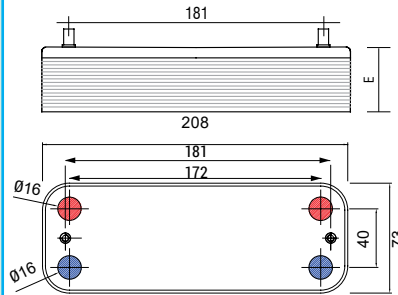
Art. S.011 - "AlfaMax" instant heat exchanger type XS 315 x 75 with brazed stainless steel plates and quick studs connections. As spare part for boilers. Compatible for IMAR GROUP boilers (and other brands).

Art. code	No. of Plates	Thickness "E" mm.	Price £
S.011.12	12	33.9	44.06
S.011.16	16	42.9	52.66

## HANSA



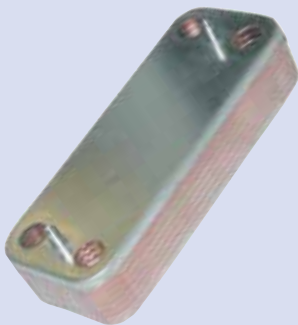
Art. S.005.18



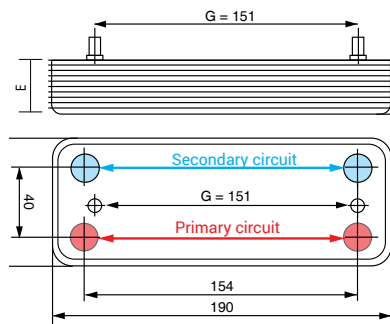
Art. S.005.18 - Heat exchanger with 16 stainless steel plates compatible for HANSA boilers, models INOX and TANTUM. Dimensional model 208 x 75. With offset mounting support.

Purchase quantity $\geq$	1	5
Price £	31.41	30.43

## IMMERGAS



Art. S.003.3-

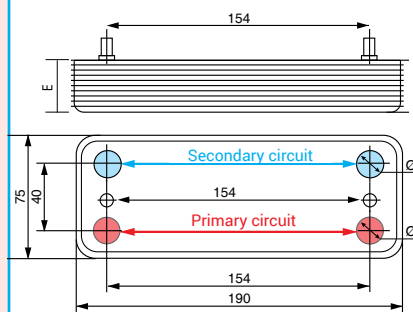


Art. S.003.3\_ - Stainless steel plate heat exchanger compatible for IMMERGAS boilers for ICBS 24 Kw (reference 3.021692) and ICBS 28/32. 190x75 model dimensions. Connections distance: 154 mm - stud distance: 151 (3 mm misalignment).

Art. code	No. of Plates	Reference	Price £/quantity $\geq$	
			1	5
S.003.32	12	3.021692	20.15	19.52
S.003.36	16	3.021393	24.95	24.16



Art. S.003.4-

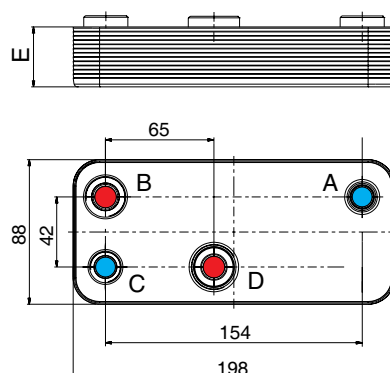


Art. S.003.4\_ - Stainless steel plate heat exchanger compatible for IMMERGAS NIKE and EOLO boilers. Dimensional model 190 x 75. Stud connection center distance: 154 mm.

Art. code	No. of Plates	Reference	Price £/quantity $\geq$	
			1	5
S.003.40	10	-	17.76	17.20
S.003.42	12	-	20.15	19.52
S.003.44	14	1.022220	22.55	21.84
S.003.46	16	1.022221	24.95	24.16
S.003.41	20	1.022222	29.75	28.80
S.003.43	22	1.022223	32.14	31.13

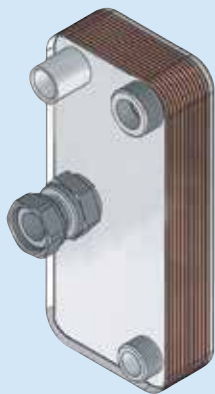


Art. S.006.0-

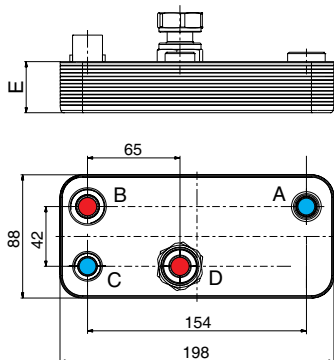


Art. S.006.0\_ - Stainless steel plate heat exchanger compatible for IMMERGAS boilers. Dimensional model 198 x 88. With threaded connections: 2 x 3/4" M - 2 x 1/2" M. Hole center distance 154 x 42 mm.

Art. code	No. of Plates	Price £/quantity $\geq$	
		1	5
S.006.03	13	29.43	28.51
S.006.05	15	31.98	30.97
S.006.07	17	34.54	33.45
S.006.09	35	54.32	52.59



Art. S.006.3-

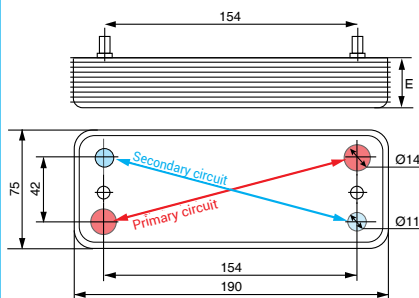


Art. S.006.3 - Stainless steel plate heat exchanger compatible for IMMERGAS MINI boilers. Dimensional model 198 × 88. With threaded connections: 2 × 3/4" M – 2 × 1/2" M. Hole center distance 154 × 42 mm.

Art. code	No. of Plates	Price £ /Quantity ≥	
		1	5
S.006.33	13	29.43	28.51
S.006.35	15	33.60	32.53
S.006.37	17	37.73	36.55



Art. S.080.22



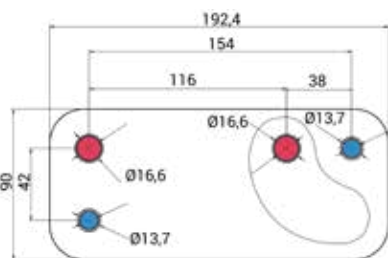
Art. S.080.22 - Stainless steel heat exchanger, 22-plate cross-flow compatible for IMMERGAS MAIOR 24/28/32 kW boilers. Dimensional model 190 × 75. Stud connection center distance: 154 mm.

Outlet holes of the circuits with rim Ø 11-14.

Price £ 33.60



Art. S.081.79



Art. S.081.79 - Stainless steel plate heat exchanger compatible for IMMERGAS NIKE/EOLO, 24 MAIOR, NIKE/EOLO 24 EXTRA and NIKE/EOLO 24 SUPERIOR boilers. With quick connections.

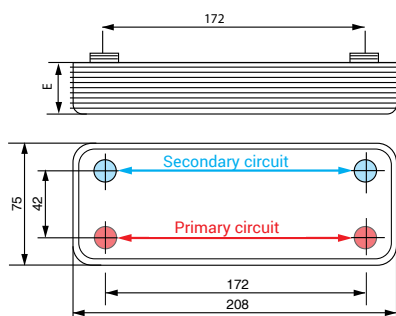
No. of Plates: 19 - Reference code. IMMERGAS: 3.012737.

Price £ 65.12

## LAMINOX



Art. S.004



Art. S.004 - 'AlfaMax' instantaneous brazed stainless steel plate heat exchanger, type XS 208 × 75. Threaded connections, compatible for LAMINOX (and other brands)

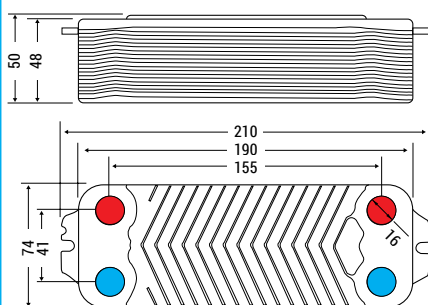
For equipping boilers with domestic hot water production. Max. pressure: 10 bar. The absorption data below are calculated based on the following temperatures: primary circuit 80/60 °C – secondary circuit 15/50 °C.

Art. code	No. of Plates	Price £ /Quantity ≥	
		1	5
S.004.70	20	41.51	40.20
S.004.80	30	57.24	55.43

## ROCA - BAXI



Art. S.096.00



Art. S.096.00 - 20-plate brazed stainless steel plate heat exchanger compatible for ROCA - BAXI boilers (and other brands).

Manufacturer reference: 129.400.011

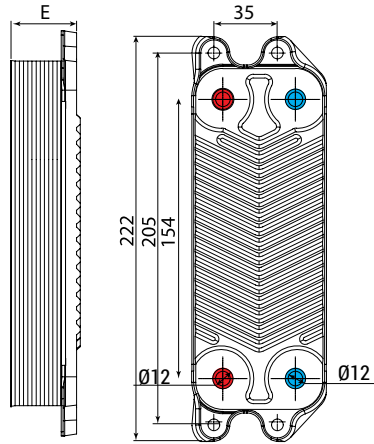
Purchase quantity ≥	1	5
Price £	29.75	28.80

Note: See here for products associated with the BAXI - BAYMAK - BROTJE - CHAPPEE brands

## SAUNIER DUVAL - HERMANN - GLOW - WORM - BULEX



Art. S.060



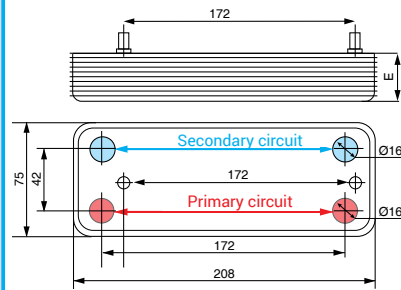
Art. S.060 - Stainless steel plate heat exchanger compatible for SAUNIER DUVAL - HERMANN - GLOW - WORM - BULEX - VAILLANT boilers (and other brands), with plate mounting tabs with 205 mm center distance - max. length 220 mm and quick-connection center distance 154 mm. Complete with gaskets.

Art. code	No. of Plates	Reference	Boiler reference	Price £/Quantity ≥	
				1	10
S.060.12	12	-	-	36.71	35.54
S.060.14	14	0020020018 0020097179 0020186153	Thema Condens: F 25/30-A F 25/30-B	26.95	25.20
S.060.20	20	0020038572 0020186154 0020097181	Thema Condens: 30/35-A/1 F 25/30-A/1 F 30/35-A/1 F 30/35-B/1 30/35-B/1 Thermomaster: 30/35-A/1 25/30-A/1	32.45	30.75
S.060.28	28	0020046957 0020144601	-	43.35	41.15
S.060.36	36	-	-	48.45	46.02
S.060.40	40	-	-	59.95	57.75

Note: Also see Art. S.005.59 on page 122 (F)



Art. S.070

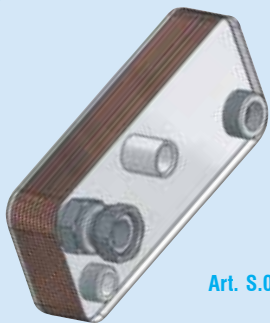


Art. S.070 - Stainless steel plate heat exchanger. Compatible for SAUNIER DUVAL - HERMANN - GLOW - WORM - BULEX boilers (and other brands). Dimensional model 208 × 75 - Outlet hole center distance: 172 × 42 - Non-concentric stud center distance 172 mm.

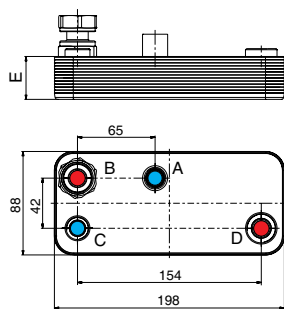
Art. code	No. of Plates	Price £/quantity ≥	
		1	5
S.070.10	10	19.75	16.25
S.070.12	12	25.02	24.24
S.070.14	14	28.22	27.33
S.070.16	16	31.41	30.43
S.070.20	20	34.61	33.52

Note: See here for products associated with the HERMANN - GLOW - WORM - BULEX brands

## SIME

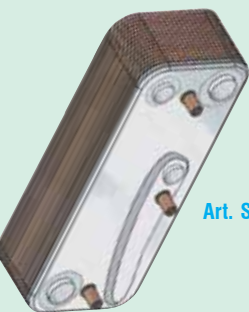


Art. S.006.1-

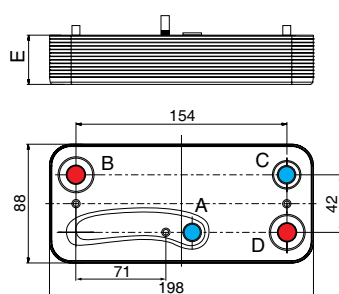


Art. S.006.1 - Stainless steel plate heat exchanger, compatible with SIME boilers (and other brands). Dimensional model: 198 × 88 mm - Hole center distance: 154 × 42 mm. Connections: 2 × 3/4" + 1 × 1/2" + 1 quick connection.

Art. code	No. of Plates	Price £/quantity ≥	
		1	5
S.006.12	12	28.16	27.27
S.006.14	14	30.73	29.76
S.006.16	16	36.46	35.30



Art. S.007.5-

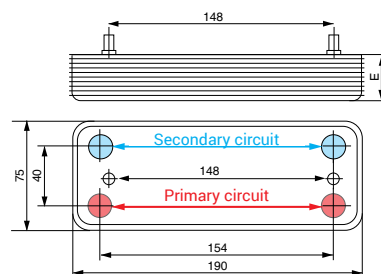


Art. S.007.5 - Stainless steel plate heat exchanger, compatible with SIME boilers (and other brands). Dimensional model: 198 × 88 mm - Hole center distance: 154 × 42 mm. Stud center distance: 154 - 71 mm. Circuit connections: Ø 13 and 16 mm.

Art. code	No. of Plates	Connections				Price £/quantity ≥	
		A	B	C	D	1	5
S.007.52	12	Ø	Ø	Ø est. 13	Ø	28.16	27.27
S.007.54	14	est. 13	est. 16	Ø est. 13	est. 16	30.73	29.76
S.007.56	16					33.28	32.24



Art. S.003.8-



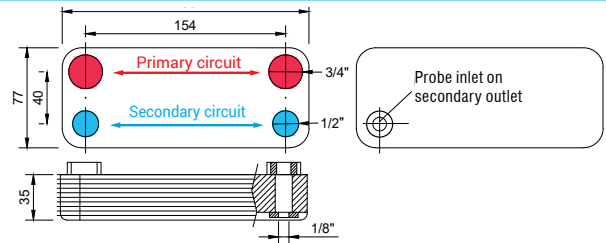
Art. S.003.8 - Brazed stainless steel plate heat exchanger, compatible with SIME boilers (and other brands). Dimensional model: 190 × 75 mm - Hole center distance: 154 × 40 mm. Stud center distance: 148 mm.

Art. code	No. of Plates	Price £/quantity ≥	
		1	5
S.003.81	12	20.15	19.52
S.003.84	14	22.55	21.84
S.003.86	16	24.95	24.16
S.003.88	18	18.42	17.84

## TIFELL



Art. S.083.14



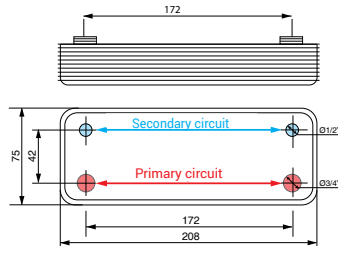
Art. S.083.14 – Brazed stainless steel plate heat exchanger, compatible with TIFELL boilers (and other brands). Dimensional model: 190 × 77 mm – Hole center distance: 154 × 40 mm. 1/8" hole for probe on the opposite side.

Purchase quantity ≥	1	5
Price £	30.40	29.45

## UNICAL



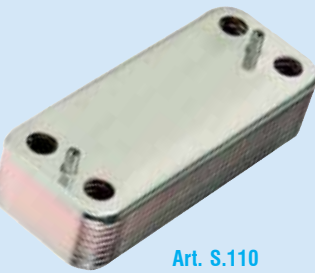
Art. S.004.74



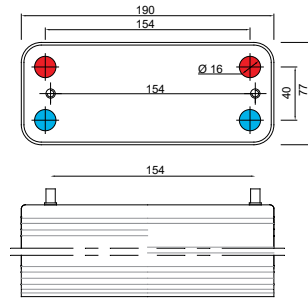
Art. S.004.74 – Stainless steel plate heat exchanger, compatible with UNICAL boilers (and other brands), with threaded connections: 2 × 3/4" – 2 × 1/2". Number of plates: 14.

Dimensional model: 208 × 75 mm – Connection center distance: 172 × 42 mm.

Purchase quantity ≥	1	5
Price £	32.07	31.05



Art. S.110



Art. S.110 – Stainless steel plate heat exchanger, compatible with UNICAL boilers (and other brands), with quick-connect fittings and studs shifted by 4 mm relative to the hole center distance for the outlet connections.

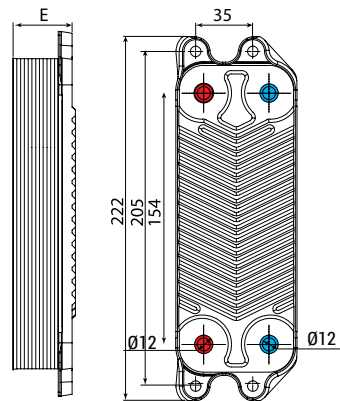
Dimensional model: 190 × 75 mm – Hole center distance: 154 × 40 mm – Stud center distance: 154 mm – Circuit outlet holes: Ø 16 mm.

Art. code	No. of Plates	Reference Zilmet	Price £/quantity ≥	
			1	5
S.110.16	16	17B1901621	24.95	24.16
S.110.20	20	17B1902021	29.75	28.80
S.110.24	24	17B1902421	34.54	33.45

## VAILLANT



Art. S.060

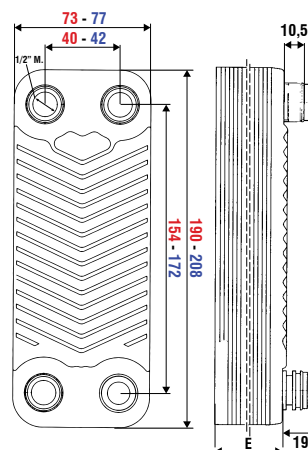


Art. S.060 – Stainless steel plate heat exchanger, compatible with VAILLANT, SAUNIER DUVAL, HERMANN, GLOW-WORM, BULEX boilers (and other brands), with plate mounting fins and a center distance of 205 mm – maximum length 220 mm. Quick-connect center distance: 154 mm. Supplied complete with gaskets.

Art. code	No. of Plates	Thickness "E" mm.	Reference	Price £/quantity ≥	
				1	10
S.060.12	12	33.9	-	36.71	35.54
S.060.14	14	38.4	0020020018 0020097179	26.95	25.20
S.060.20	20	51.8	0020038572 0020186154 0020097181	32.45	30.75
S.060.28	28	69.7	0020046957	43.35	41.15
S.060.36	36	86.6	-	48.45	46.02
S.060.40	40	96.6	-	59.95	57.75



Art. S.061



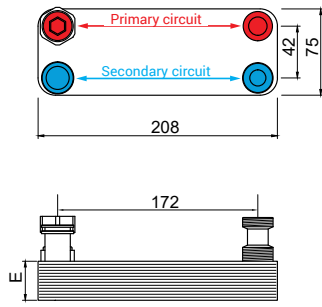
Art. S.061 – Stainless steel plate heat exchanger, compatible with VAILLANT boilers (and other brands), with 3 quick-connect fittings and 1 threaded 1/2" M connection. Supplied complete with gaskets.

For boilers such as VMW - PRO/2 - PLUS/2.

Art. code	Length mm	Connection center distance mm	No. of Plates	Reference VAILLANT	Price £/quant. ≥	
					1	10
S.061.01	190	154	14	065131	27.25	26.38
S.061.20	190	154	20	065153	34.44	33.36
S.061.40	190	154	40	-	58.41	56.56
S.061.14	208	172	14	0020073794	32.37	31.36



Art. S.062.12



Art. S.062.12 - 12-plate stainless steel heat exchanger, compatible with VAILLANT atmoBLOCK VMW turboBLOCK boilers – VMW 0020073792 (formerly 064950). Supplied complete with gaskets.

Dimensional model	Outlets		Dimension E
	Center distances	Ø Holes	
208 x 75	42 - 172	3/4" F - 3/4" M swivel 3/4" M - Ø 28 quick	33.9
Price £ 47.15			



Art. S.004.52 on page 121 (F)  
Art. S.004.74



Art. R.650.15



Art. R.650.16



Art. R.650.17

Art. R.650.15 – Kit of short-type fittings and piping to be paired with heat exchangers Art. S.004.52 and S.004.74 – on page 121 (F) – for replacing the old plastic model in VAILLANT boilers, such as the THERMOBLOC and TECHNOBLOCK models.

Price £ 32.91

Art. R.650.16 – Kit of long-type fittings and piping to be paired with heat exchangers Art. S.004.52 and S.004.74 – on page 121 (F) – for replacing the old plastic model in VAILLANT boilers, such as the THERMOBLOC and TECHNOBLOCK models (Reference 06-5034) – complete with a set of gaskets and a new diversion disk.

Price £ 51.10

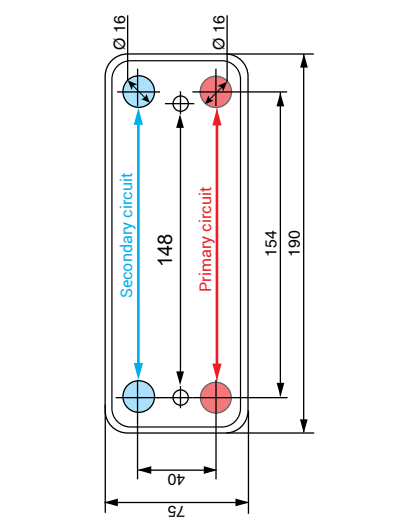
Art. R.650.17 – 3/4" F. × 3/4" F. fitting to be paired with heat exchangers Art. S.004.52 and S.004.74 – on page 121 (F) – for replacement in VAILLANT boilers, such as the VMW TURBOBLOCK and VMW ATMOBLOCK models (Reference 06-4950).

Price £ 9.45

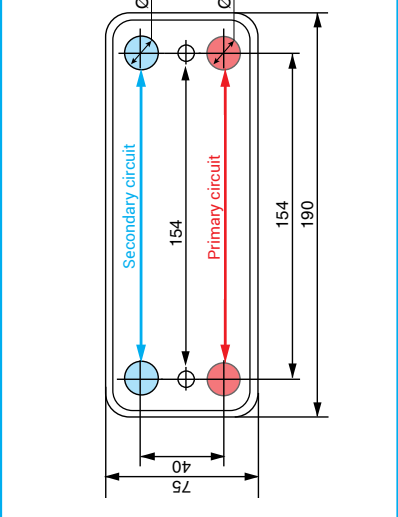
**VISSMANN**



Art. S.003.76



Art. S.003.4-



Art. S.003.76 – 26-plate stainless steel heat exchanger, compatible with VISSMANN boilers – Vitodens 222, 242, 333. Connection center distance and stud center distance: 148 mm.

Purchase quantity ≥	1	5
Price £	36.94	35.77

Art. S.003.4 – Stainless steel plate heat exchanger, compatible with VISSMANN boilers. Connection center distance and stud center distance: 154 mm.

Art. code	No. of Plates	Reference	Price £/quantity ≥	
			1	5
S.003.40	10	-	17.76	17.20
S.003.42	12	7825534	20.15	19.52
S.003.44	14	7828746	22.55	21.84
S.003.41	20	7828745	29.75	28.80

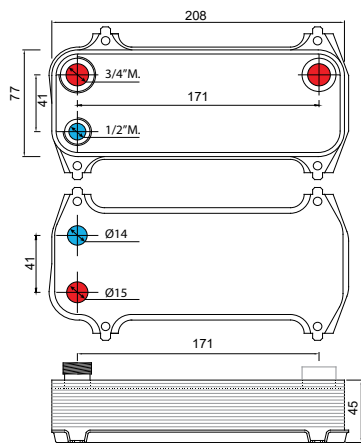
Art. S.090.20 – 20-plate brazed stainless steel heat exchanger, compatible with Viessmann boilers – Vitodens 200 W – Type WB2B.

Reference code: 7827950.

Purchase quantity ≥	1	5
Price £	45.65	44.21



Art. S.091.16



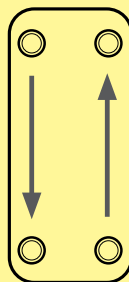
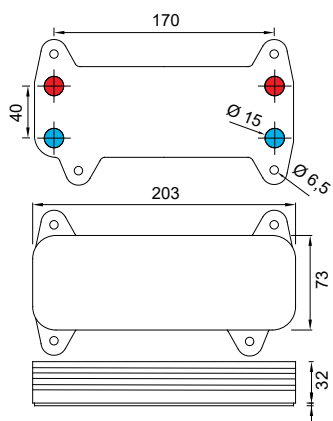
Art. S.091.16 – Stainless steel plate heat exchanger for various Viessmann boilers, including Vitodens 222 WS2, Vitodens 333 WS3A/B/C, with plate mounting.

With gaskets – Dimensions: 208 × 77 × 45 mm. Manufacturer reference: 7822474.

Purchase quantity ≥	1	5
Price £	49.75	48.26



S.092.00



**N.B.**

For minimum quantities of at least 500 pieces, heat exchangers with specific custom features can be manufactured upon customer request.

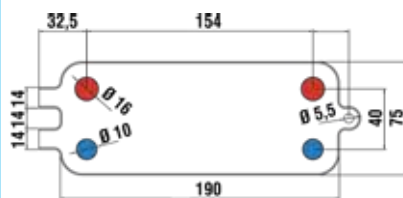
Art. S.092.00 – 12-plate stainless steel heat exchanger for Viessmann boilers, Vitopend 100 type, plate mounting.

Manufacturer reference: 7817471.

Purchase quantity ≥	1	5
Price £	34.58	32.54



Art. S.095



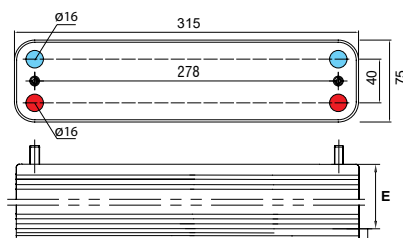
Art. S.095 – Stainless steel plate heat exchanger with plate mounting fins, compatible with VISSMANN boilers. Dimensional model: 190 × 75 mm. Outlet hole center distance: 154 mm.

Art. code	No. of Plates	Price £/quantity ≥	
		1	5
S.095.12	12	20.51	19.87
S.095.16	16	27.35	26.49
S.095.18	18	29.75	28.79
S.095.20	20	32.14	31.13
S.095.24	24	36.93	35.76
S.095.26	26	39.30	38.45

**WORCHESTER - BOSCH**



Art. S.011.04



Art. S.011.04 – “AlfaMax” instantaneous heat exchanger, XS type 315 × 75 mm, brazed stainless steel plate heat exchanger with quick-connect stud fittings. As replacement part for boilers. Compatible with WORCHESTER - BOSCH boilers (and other brands).

Art. code	No. of Plates	Thickness “E” mm.	Compatible	Price £
S.011.04	14	38.5	JUNKERS - BOSCH - WORCHESTER ref. 87161066850	48.36

**Note: See here for products associated with the BOSCH - BUDERUS - ELM LEBLANC - ROCA brands.**

For gaskets and O-rings for heat exchangers, see **page 172 (W)** and **page 125 (F)**.

**N.B.**

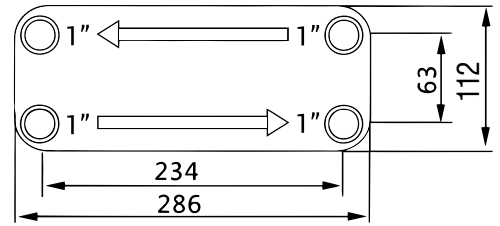


Model dimensions 286 x 112



**SPECIFICALLY SUITABLE:**  
for hydraulic circuit separation, for coupling an open circuit (solid fuel systems) with a closed circuit (gas-diesel systems).

Art. S.009



Art. S.009 - "AlfaMax" instantaneous heat exchanger, made of AISI 304 brazed stainless steel plates, designed for high flow rates with parallel flow configuration. Connections: 1" M.

- Heat exchange surface per plate:  $0.027 \text{ m}^2 \times (\text{number of plates} - 2)$ .
- Water content per channel:  $0.05 \text{ L} \times (\text{number of plates} - 1)$  - Maximum pressure: 30 bar.

Art. Code	No. of Plates	Heat Exchange Surface (m <sup>2</sup> )	Power KW	Primary (Water 80/70°C)		Secondary (Water 60/70°C)		Price £
				Flow rate m <sup>3</sup> /h	Pressure drop m H <sub>2</sub> O	Flow rate m <sup>3</sup> /h	Pressure drop m H <sub>2</sub> O	
S.009.20	20	0.49	25	2.00	2.3	2.00	1.9	115.25
S.009.30	30	0.76	35	3.20	2.6	3.20	2.3	147.82
S.009.40	40	1.03	45	4.30	2.7	4.30	2.5	180.38

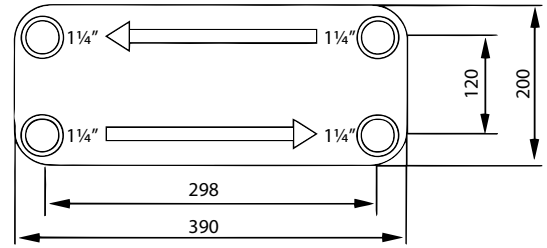
**Important:** the data provided are for guidance only. The kW value is related to the ΔT (temperature difference between inlet and outlet of both the primary and secondary circuits). The key parameter for selecting the heat exchanger is the magnitude of the heat exchange surface area.

Model dimensions 390 x 200



**SPECIFICALLY SUITABLE:**  
Biomass systems - AISI 304  
Pool heating systems - AISI 316

Art. S.010

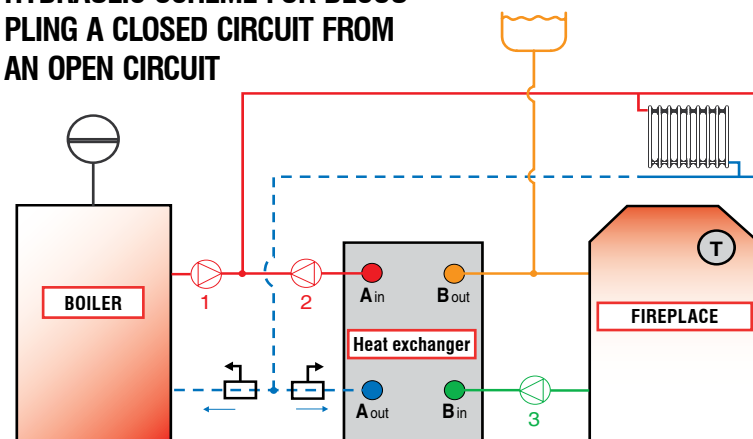


Art. S.010 - "AlfaMax" instantaneous heat exchanger, brazed stainless steel plate type, designed for high flow rates with parallel flow configuration. Connections: 1 1/4" M.

- Heat exchange surface per plate:  $0.063 \text{ m}^2 \times (\text{number of plates} - 2)$ .
- Water content per channel:  $0.15 \text{ L} \times (\text{number of plates} - 1)$  - Maximum pressure: 30 bar.
- Specifically suitable for coupling open circuits (solid fuel boilers) with closed circuits (AISI 304 stainless steel version) and for swimming pool heating (AISI 316 stainless steel version).

Art. Code	Stainless steel type	Connections Ø	No. of Plates	Heat Exchange Surface (m <sup>2</sup> )	Power KW	Primary (Water 80/70°C)		Secondary (Water 60/70°C)		Price £
						Flow rate m <sup>3</sup> /h	Pressure drop m H <sub>2</sub> O	Flow rate m <sup>3</sup> /h	Pressure drop m H <sub>2</sub> O	
S.010.34	AISI 304	1 1/4" M.	30	1.764	30	2.6	0.4	2.6	0.4	333.39
S.010.36	AISI 316	1 1/4" M.	30	1.764	30	2.6	0.4	2.6	0.4	376.53
S.010.44	AISI 304	1 1/4" M.	40	2.394	40	3.5	0.2	3.5	0.2	405.90
S.010.46	AISI 316	1 1/4" M.	40	2.394	40	3.5	0.2	3.5	0.2	463.42
S.010.54	AISI 304	1 1/4" M.	50	3.024	50	4.3	0.2	4.3	0.2	478.41
S.010.56	AISI 316	1 1/4" M.	50	3.024	50	4.3	0.2	4.3	0.2	550.31
S.010.64	AISI 304	1 1/4" M.	60	3.654	60	5.2	0.2	5.2	0.2	550.92
S.010.66	AISI 316	1 1/4" M.	60	3.654	60	5.2	0.2	5.2	0.2	637.20
S.010.86	AISI 316	1 1/4" M.	80	4.284	80	7	0.2	7	0.2	811.00

HYDRAULIC SCHEME FOR DECOUPLING A CLOSED CIRCUIT FROM AN OPEN CIRCUIT



Note: thermostat (T) can switch on pump 2 and pump 3 and exclude the boiler and pump 1.

- Closed expansion vessel
- Open expansion vessel (solid fuel)
- Circulator pump
- One-way valve
- Anti-condensation thermostat at 50°C

Our technical department is at your disposal for any further information.

@ uk@antaresint.com

Telephone and WhatsApp +44 1227 458 684

**N.B.**

For inspectable plate heat exchangers, see page 121 (W).

## Insulation shells for heat exchangers



Art. S.017

### Art. S.017 - Polystyrene thermal insulation shell for brazed plate heat exchangers.

Art. Code	Suitable for heat exchanger type (internal containment dimensions)	Maximum number of plates	Price £
S.017.02	S.002 (190 x 75)	from 14 to 20	8.79
S.017.00	S.004 (208 x 75)	from 12 to 20	12.55
S.017.40	S.004 (208 x 75)	from 20 to 40	12.55
S.017.12	S.008 (315 x 75)	from 12 to 20	16.58
S.017.24	S.008 (315 x 75)	from 24 to 40	12.97
S.017.94	S.009 (286 x 116)	from 20 to 40	15.52
S.017.10	S.010 (390 x 200)	from 30 to 40	19.08
S.017.18	S.010 (390 x 200)	from 50 to 80	21.51

## System hydraulic decoupler for connecting an old installation with a new boilers

When an existing heating system is old, over time it accumulates a significant amount of dirt in the form of sludge and sand, generated by the crystallisation of minerals contained in the water. This sludge is extremely harmful to the operation of a new boiler and may compromise its performance and service life. When replacing an old boiler with a new one, it is advisable to install a circuit decoupling separator, which isolates the boiler circuit from the installation circuit. The existing system must therefore remain equipped with its expansion vessel and safety valve. To facilitate this operation, ANTARES has developed a compact "SEPACIR" separator in the form of a small cabinet, specifically designed to be installed under wall-hung boilers in two versions:

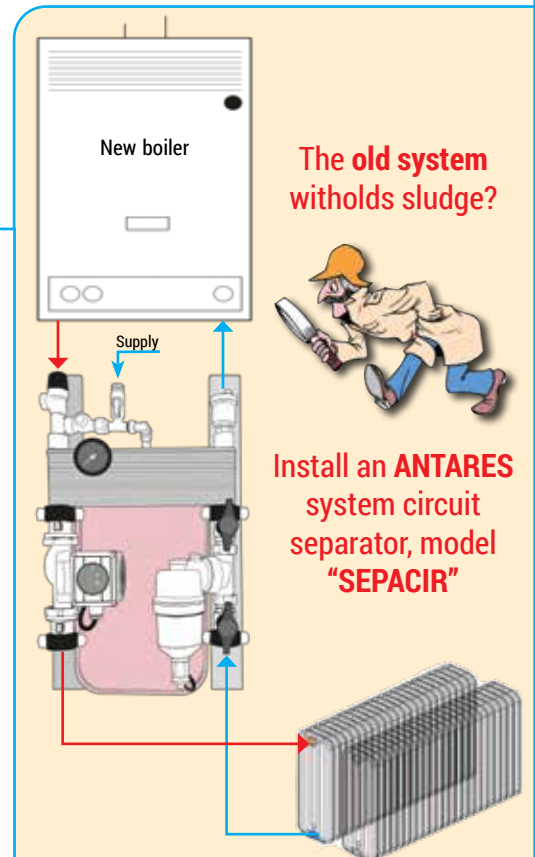
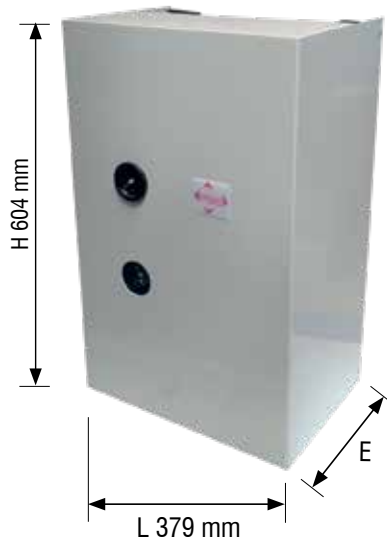
- **Complete:** with expansion vessel (dimensions: see model dimensional drawings below).
- **Low-profile:** without expansion vessel, to be installed elsewhere, above the existing boiler via suitable piping, or in another location (dimensions: H = 604 mm - D = 379 mm).

Although very compact, the product can also be installed in alternative positions.



Art. E.670.0-

### Dimensions



### Art. E.670 – "SEPACIR" hydraulic circuit decoupling separator with covering sheath. Connections: 3/4" for heating and 1/2" for circuit supply.

#### Composed of the following components:

- Stainless steel plate heat exchanger;
- Circulating pump (6 m head), energy level "A";
- Expansion vessel, integrated or external, supplied;
- 3-bar safety valve;
- Capillary pressure gauge;
- Circuit supply tap;
- No. 4 shut-off ball valves;
- Optional dirt separator as an accessory;
- Automatic air vent;
- No. 4 extendable 3/4" stainless steel flexible hoses for boiler connection;
- No. 1 extendable 1/2" stainless steel flexible hose for supply connection.

#### Model with integrated expansion vessel

Without dirt separator					With dirt separator				
Art. Code	Power KW	Vessel lt.	Depth E	Price £	Art. Code	Power KW	Vessel lt.	Depth E	Price £
E.670.04	24	8	262 mm	660.56	E.670.08	24	8	262 mm	655.35
E.670.02	32	10	262 mm	681.69	E.670.07	32	10	262 mm	674.11

#### Low-profile model with external expansion vessel supplied

Without dirt separator					With dirt separator				
Art. Code	Power KW	Vessel lt.	Depth E	Price £	Art. Code	Power KW	Vessel lt.	Depth E	Price £
E.670.34	24	8	164 mm	601.68	E.670.57	24	8	164 mm	605.23
E.670.52	32	10	164 mm	594.16	E.670.58	32	10	164 mm	633.06

## Domestic hot water copper heat exchangers for boilers

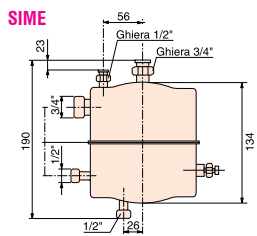


Art. S.001

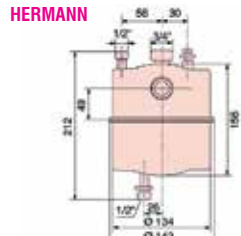
Art. S.001 – Copper heat exchanger for domestic hot water production for boilers.

Art. code	S.001.01	S.001.11	S.001.21	S.001.46
Cal/h max	21.000	26.000	21.000	26.000
Compatible with boilers	<b>SIME</b>	<b>HERMANN</b>	<b>TERMET-SIMAT</b>	<b>IMMERGAS</b>
Price £	123.20	148.32	90.61	141.14

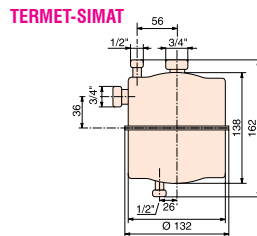
**WHILE SUPPLIES LAST**



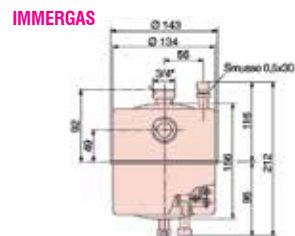
Art. S.001.01



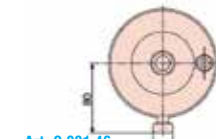
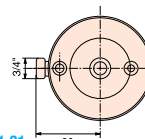
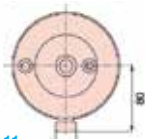
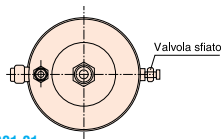
Art. S.001.11



Art. S.001.21



Art. S.001.46



## Dirt separators

### THE IMPORTANCE OF THE DIRT SEPARATOR IN HEATING SYSTEMS

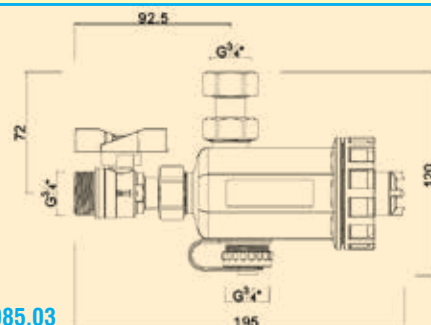
Once water is introduced into the system, its mineral content crystallises in the form of sludge and deposits, which are harmful to the boiler, heat emitters, and piping. Removing this sludge is essential for the proper operation and service life of these components. ANTARES sludge separators, with centrifugal and magnetic action, MAGDIRTY and DEPDIRTY, are devices designed to remove debris and dirt from the heat transfer fluid circulating within heating systems.

They allow the collection of impurities, including ferrous particles, thanks to the presence of a powerful magnet, preventing the onset of corrosive phenomena. Small particles are separated from the circulating fluid through magnetic and centrifugal forces. The collected debris is deposited in a tank that can be emptied without dismantling the device.



Promotion  
£ 23.62

Art. C.085.03



**N.B.**

For the complete range of sludge separators, see **page 143 (W)**.

Art. C.085.03 - DEPDIRTY magnetic sludge separator, 3/4", made of compact technopolymer, suitable for installation under wall-hung boilers. Equipped with a magnet for attracting and removing sludge and impurities in hydraulic circuits, which are collected in a dedicated container and periodically discharged via a drain valve.

Supplied complete with a removable ferromagnetic cartridge, swivel female union fitting, and shut-off ball valve for easy removal of debris without draining the system. 500-micron filter.

Quantity ≥	1	5
Price £	24.17	23.62



**Boiler protection kit**

Art. C.200.01



Art. C.200.01 - Boiler protection kit consisting of:

- No.1 polyphosphate dosing unit with cartridge (Art. C.103.32)
- No.1 dirt separator (Art. C.085.03)
- No.1 acidity neutralizing filter (Art. C.110.02)

Price £ 46.98

## Heat exchangers for water heaters

### SYLBER - BERETTA - VOKERA - RIELLO



Lt. 5

Art. R.610.05



Lt. 10

Art. R.611.10

Art. R.610.05 - Heat exchanger RS018 for water heater It 5 compatible BERETTA - RIELLO - VOKERA - SYLBER.

Manufacturer code: RS018

Price £ 93.52

Art. R.611.10 - Heat exchanger RS081 for water heater It 10 compatible BERETTA - RIELLO - VOKERA - SYLBER.

Manufacturer code: RS081

Price £ 105.87



Lt. 11

Art. R.612.11



Lt. 13

Art. R.613.13

Art. R.612.11 - Heat exchanger (Artü) for water heater It 11 compatible BERETTA - RIELLO - VOKERA - SYLBER.

Price £ 99.11

Art. R.613.13- Heat exchanger RS179 for water heater It 13 compatible BERETTA - RIELLO - VOKERA - SYLBER.

Manufacturer code: RS179

Price £ 132.83



Lt. 14

Art. R.614.14



Lt. 17

Art. R.615.17

Art. R.614.14 - Heat exchanger RS511 for water heater It 14 compatible BERETTA - RIELLO - VOKERA - SYLBER.

Manufacturer code: RS511

Price £ 131.36

Art. R.615.17 - Heat exchanger RS555 for water heater It 17 compatible BERETTA - RIELLO - VOKERA - SYLBER.

Manufacturer code: RS555

Price £ 166.97

### CHAFFOTEAUX ET MAURY



Lt. 10  
Lt. 13

Art. R.637

Need help?  
**Customer Service**



TELEPHONE AND WHATSAPP

+44 1227 458 684



uk@antaresint.com

Art. R.637 - Compatible heat exchanger for boilers and water heaters "CHAFFOTEAUX ET MAURY".

Model	10 Liter (20385/06)	13 Liter (20353/06)
Art. code	R.637.10	R.637.13
Price £	90.80	137.31

### JUNKERS BOSCH



Lt. 11

Art. R.634.11



Lt. 11

Art. R.635.10

Art. R.634.11 - Heat exchanger for water heaters It 11 compatible JUNKERS - BOSCH.

Turbo high connections.

Price £ 100.10

Art. R.635.10- Heat exchanger for water heater It 11 compatible JUNKERS - BOSCH.

Price £ 93.47

Lt. 11



Art. R.636.11

Lt. 11



Art. R.639.10

Art. R.636.11 - Heat exchanger for water heaters, Lt 11.  
Compatible JUNKERS - BOSCH.

Quick connections.

Price £ 102.28

Art. R.639.10 - Heat exchanger for water heaters, Lt 11.  
Compatible JUNKERS - BOSCH.

Low quick connection.

Price £ 97.64

Lt. 14



Art. R.640.14



To protect your profession, **ANTARES** sells exclusively to professionals registered in the official Chamber of Commerce registers.

Art. R.640.14 - Heat exchanger for water heaters, Lt 14.  
Compatible JUNKERS - BOSCH.

Turbo high connections

Price £ 150.37

## VAILLANT

Lt. 5



Art. R.674.05

Lt. 11



Art. R.675.11

Art. R.674.05 - Heat exchanger for water heaters, Lt 5.  
Compatible VAILLANT.

MM. 125 -135

Price £ 90.45

Art. R.675.11 - Heat exchanger for water heaters, Lt 11.  
Compatible VAILLANT.

Premium - Connections 1/2" - 3/4"

Price £ 93.47

Lt. 11



Art. R.676.11

Lt. 11



Art. R.677.11

Art. R.676.11 - Heat exchanger for water heaters, Lt 11.  
Compatible VAILLANT - Mini.

Price £ 93.47

Art. R.677.11 - Heat exchanger for water heaters,  
Lt 11. Compatible VAILLANT.

Price £ 93.47

Lt. 14



Art. R.678.14

Lt. 16



Art. R.679.16

Art. R.678.14 - Heat exchanger for water heaters, Lt 14.  
Compatible VAILLANT.

Price £ 142.73

Art. R.679.16 - Heat exchanger for water heaters, Lt 16.  
Compatible VAILLANT

Price £ 140.66

## Primary heat exchangers for traditional boilers

### BERETTA - RIELLO - VOKERA

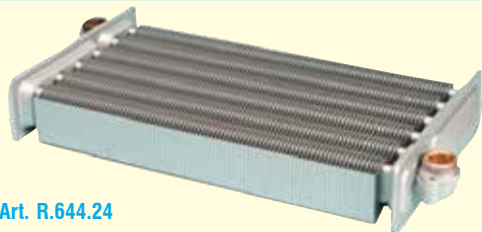


Art. R.643.24

Art. R.643.24 - Heat exchanger R9199 compatible BERETTA - RIELLO - VOKERA - SYLBER - 24 KW.

Manufacturer code: R9199.

Price £ 126.65



Art. R.644.24

Art. R.644.24 - Heat exchanger R5356 compatible BERETTA - RIELLO - VOKERA - SYLBER - 24 KW.

Manufacturer code: R5356.

Price £ 222.88



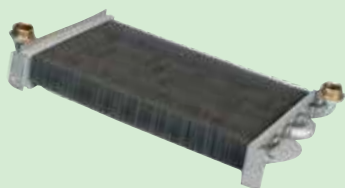
Art. R.666.26

Art. R.666.26 - Heat exchanger 20053718 compatible BERETTA - RIELLO - VOKERA - SYLBER.

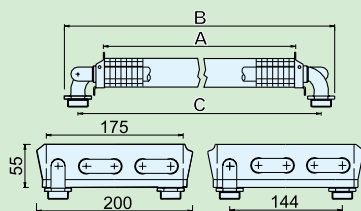
Manufacturer code: 20053718 - ex R10029882. Compatible: Exclusive Mix 26 CSI/AR, Exclusive Micromix 26 AR, Mynute 18 CSI AR, Mynute 24 CSI N/AR, Mynute 28 CSI N/AR, Mynute Boiler 24 BSI, Option Boiler 24 BSI AR.

Price £ 122.16

### CHAFFOTEUX ET MAURY



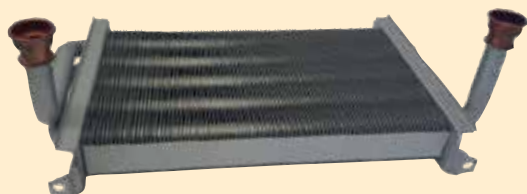
Art. R.638.24



Art. R.638.24 - Heat exchanger compatible with "CHAFFOTEUX ET MAURY" boilers and water heaters. Boiler model RSC/24.

Manufacturer code: 425.17/07.

Price £ 150.46



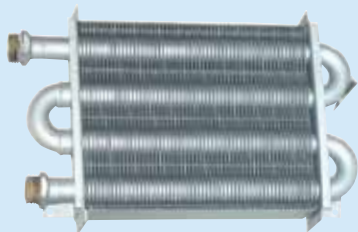
Art. R.680.20

Art. R.680.20- Primary heat exchanger compatible for boiler CHAFFOTEUX ET MAURY - Cal/h 20.000.

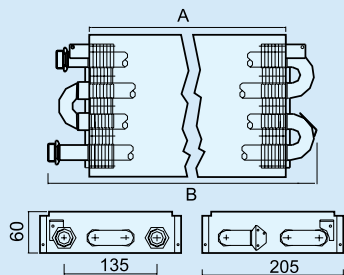
Quick connections.

Price £ 126.61

### OCEAN - BAXI



Art. R.685



Art. R.685 - Compatible primary heat exchanger OCEAN - BAXI.

Model	C2150 - C2151	C2200 - C2202
Cal/h	15.000	20.000
Dimensions mm.	A=220 B=335	A=290 B=405
Art. code	R.685.15	R.685.20
Price £	127.42	139.70



Art. R.687.20

Art. R.687.20- Compatible primary heat exchanger, for boilers OCEAN - BAXI - Cal/h 20.000.

Quick connections.

Price £ 110.86

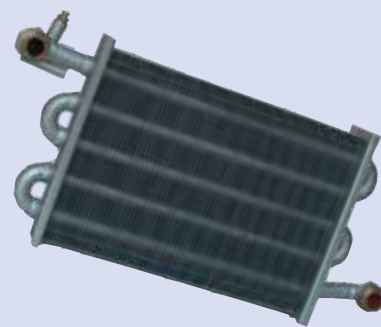
## VAILLANT



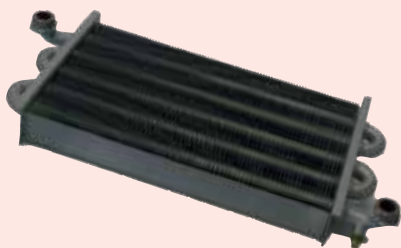
Art. R.630



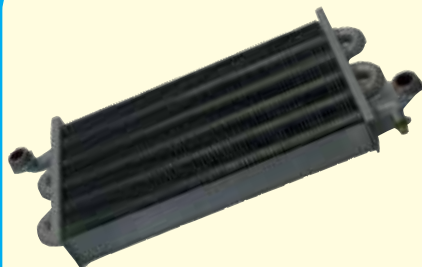
Art. R.631



Art. R.690.15



Art. R.691.20



Art. R.692.24

Art. R.630 - Heat exchanger compatible for water heaters "VAILLANT". 1 year warranty

Model	l/h	MAG 250 MAG 250/9	10	MAG 325 MAG 325/9	13	MAG 400	16
Art. code		R.630.10		R.630.13		R.630.16	
Price £		97.53		157.53		161.89	
Model	l/h	MAG 275	11	MAG 350/9	14		
Art. code		R.630.11		R.630.14			
Price £		113.19		149.20			

Art. R.631 - Compatible heat exchanger, for boilers VAILLANT - VC - VCW - T3.

Power Cal/h	15.000	20.000	25.000
Art. code	R.631.15	R.631.20	R.631.25
Price £	216.17	271.70	294.88

Art. R.690.15 - Primary heat exchanger compatible with VAILLANT boilers - 15.000 Cal/h.

Price £ 148.93

Art. R.691.20 - Primary Heat Exchanger, compatible with Vaillant boilers - 20.000 Cal/h.

Price £ 170.60

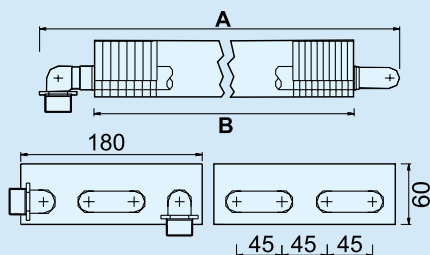
Art. R.692.24 - Primary Heat Exchanger, compatible with Vaillant boilers - 24.000 Cal/h.

Price £ 178.73

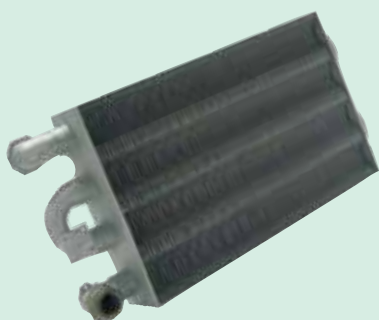
## TERMET - Polonia



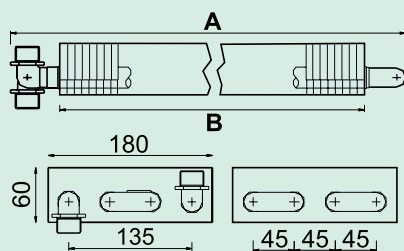
Art. R.646.25



## IMMERGAS



Art. R.648



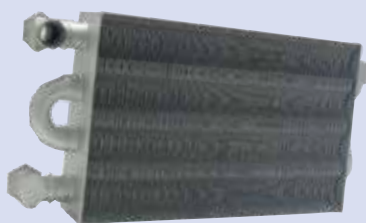
Art. R.646.25 - Heat Exchanger for TERMET boilers.

Model	B 25 GCO-DZ-29-08	
Length mm.	340	
Connections	B	
Dimensions mm.	A=441 B=340	
Price £	168.02	

Art. R.648 - Heat Exchanger for Immergas boilers.

Model for:	ZEUS MAIOR	
Reference code - Kw	1.011108 - 24.418	1.011976 - 27.906
Length mm.	290	340
Dimensions mm.	A= 391 B= 290	A= 441 B= 340
Art. code	R.648.20	R.648.25
Price £	142.75	168.02

## HERMANN



Art. R.695.20

## JOANNES - FINTERM



Art. R.696.20

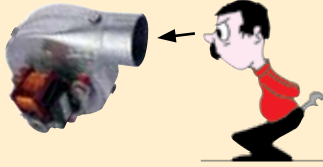
Art. R.695.20 - Primary Heat Exchanger, compatible with Hermann boilers - 20.000 Cal/h.

Price £ 142.21

Art. R.696.20 - Primary Heat Exchanger, compatible with Joannes / Finterm boilers - 20.000 cal/h.

Price £ 138.18

## Flue fans for gas boilers



**WARNING**  
The motor position is determined by viewing the extractor outlet facing upwards.

**N.B.**

Other models with different performance characteristics and dimensions may be available upon request.

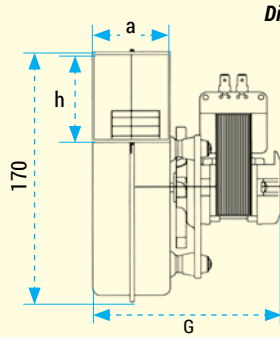
Please contact:  
[uk@antaresint.com](mailto:uk@antaresint.com)

### Flue fans with rectangular outlet 52 x 60

Left

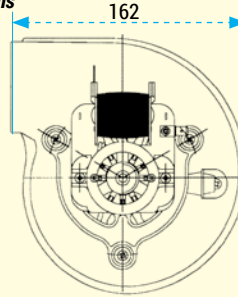


Art. R.255.--



Motor side identification position

Dimensions



For pressure ports (VENTURI), see page 150 (F).

Right



Art. R.255.--

Art. R.255 - Flue fans for boilers with rectangular outlet - 230 V. - 50 Hz.

Compatible FIME - NATALINI and EBM-PAPST. - Number of speeds: 1.

Art. code	Compatibility (To be verified for items not listed)	Motor position	Outlet (a × h) internal dimensions	Fan Ø mm.	Dimension G mm.	W	Price £/quantity ≥	
							1	5
R.255.06	BERETTA/VOKERA • RIELLO • FER • FERROLI *	Left	52 x 60	97	126.5	47	25.72	24.92
R.255.03	VAILLANT • FER • FERROLI *	Right	52 x 60	108	135	60	26.32	25.49
R.255.07	BERETTA/VOKERA • RIELLO *	Left	52 x 60	108	126.5	52	26.32	25.49

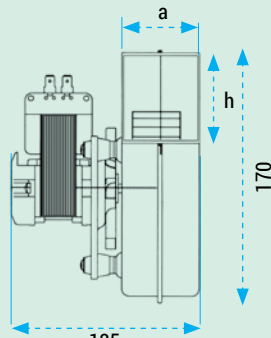
\* Manufacturers not listed. Before ordering, check the outlet or volute diameter, the fan outer diameter, and the overall dimensions.

### Flue fans with square outlet 60 x 60

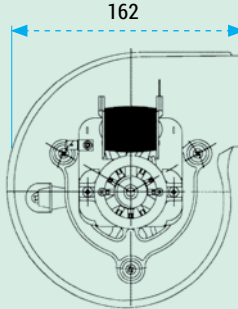
Left



Art. R.256.--



Motor side identification position



For pressure ports (Venturi), see page 150 (F).



For product information, you can send us messages and photos via **WhatsApp**

+44 1227 458 684

We do not provide product information over the phone. Checking spare part compatibility is a free service to assist the customer with their purchase. We accept no responsibility if the indicated product does not match.

Art. R.256 - Smoke extractor for boilers with square outlet - 230 V - 50 Hz.

Compatible with Fime - NATALINI and EBM-PAPST. Motor position: left. Number of speeds: 1.

Art. code	Compatibility (To be verified for items not listed)	Outlet (a × h) internal dimensions	Fan Ø mm.	W	Price £/quantity ≥	
					1	5
R.256.26	BERETTA/VOKERA • RIELLO • JUNKERS • OCEAN • IMMERGAS *	60 x 60	97	47	26.72	25.88
R.256.27	FER • FERROLI • BERETTA/VOKERA • RIELLO *	60 x 60	108	60	27.32	26.45

\* Manufacturers not listed. Before ordering, check the outlet or volute diameter, the fan outer diameter, and the overall dimensions.



**N.B.**

For flue gas extractors with and without volute, for boilers and biomass stoves, see the complete range on page 76 (F).

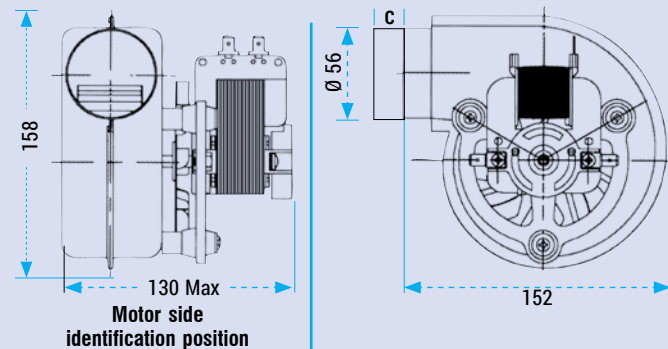
## Flue fans with round outlet Ø 56 mm without fixing flanges

**Motor on the left**



Art. R.250.--

**Dimensions**



**Motor on the right**



Art. R.250.--

**Art. R.250 - Flue fans for boilers with round mouth Ø 56 mm. , without fixing flanges, with and without extension or increase of the outlet - Voltage: 230 V. - 50 Hz.**

Compatible FIME - NATALINI e EBM-PAPST.

Art. code	Motor position	Fan Ø mm	Power W	Fitting on the outlet	Compatible	Price £/quantity ≥	
						1	5
R.250.02	Right	97	53	NO	<b>BIASI • SAVIO • SAUNIER DUVAL • CHAFFOTEAUX ET MAURY • LEBLANC • COSMOGAS • FERROLI • FER • LAMBORGHINI • UNICAL *</b>	25.72	24.92
R.250.04	Right	97	53	Lengthening C= 15 mm	<b>BALTUR • SAUNIER DUVAL • UNICAL HERMANN • RADIANT *</b>	30.82	29.85
R.250.03	Right	108	55	NO	<b>BIASI SAVIO • CHAFFOTEAUX ET MAURY FERROLI • FER *</b>	26.42	25.59
R.250.10	Right	108	55	Lengthening C= 15 mm.	<b>COSMOGAS • SIME • UNICAL *</b>	31.53	30.53
R.250.06	Left	97	53	NO	<b>SIME *</b>	25.72	24.92
R.250.08	Left	97	53	Lengthening C= 15 mm.	<b>BALTUR • HERMANN • SAUNIER DUVAL SIME • UNICAL *</b>	30.82	29.85
R.250.07	Left	108	55	NO	<b>BAXI *</b>	25.15	24.35
R.250.12	Left	108	55	Lengthening C= 15 mm.	<b>SIME *</b>	30.25	29.30
R.250.24	Right	97	53	Enlargement to Ø 60 C= 15 mm.	<b>ARISTON • COSMOGAS • BONGIOANNI • MTS RHEN • SIMAT • MCN • KOLLBAR • PENSOTTI RADIANT • SILE *</b>	30.58	29.62
R.250.23	Right	108	55	Enlargement to Ø 60 C= 15 mm.	<b>ARISTON • COSMOGAS • MTS • RHEN • SIMAT KOLLBAR • LAMBORGHINI • PENSOTTI *</b>	31.27	30.29
R.250.26	Left	97	53	Enlargement to Ø 60 C= 15 mm.	*	30.58	29.62
R.250.27	Left	108	55	NO	*	30.01	29.05

\* Manufacturers not listed. Before ordering, check the outlet or volute diameter, the impeller outer diameter, and the overall dimensions.

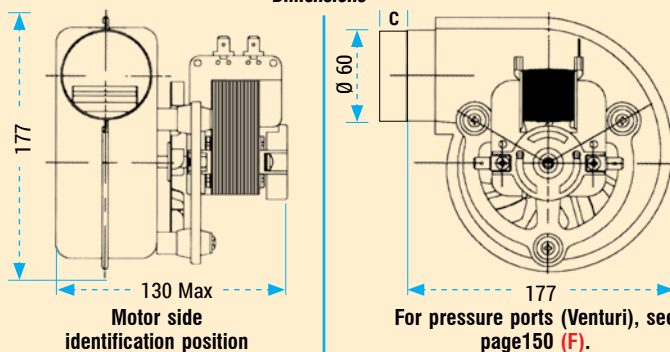
## Fuel fans with round outlet Ø 60 mm without fixing flanges

**Motor on the left**



Art. R.251.1-

**Dimensions**



**Motor on the right**



Art. R.251.3-

**Art. R.251 - Flue fans for boilers with round outlet Ø 60 - Fan Ø 120, without fixing flanges. - Voltage: 230 V. - 50 Hz.**

Compatible with most major boiler brands. Check the compatibility of replacement by outlet diameter, outer diameter of the fan. Compatible FIME - NATALINI and EBM-PAPST.

LEFT MOTOR POSITION					RIGHT MOTOR POSITION				
Art. code	Power W	Extension fitting on the outlet	Price £/quantity ≥		Art. code	Power W	Extension fitting on the outlet	Price £/quantity ≥	
			1	5				1	5
R.251.13	34	NO	33.82	32.75	R.251.35	47	NO	36.50	35.35
R.251.15	45	NO	35.89	34.76	R.251.36	67	NO	37.93	36.73
R.251.16	67	NO	36.10	34.96	R.251.38	47	YES - C=15 mm.	39.16	37.92
R.251.17	34	YES - C=15 mm.	36.48	35.33	R.251.39	67	YES - C=15 mm.	40.47	39.19
R.251.18	45	YES - C=15 mm.	37.87	36.68					
R.251.19	67	YES - C=15 mm.	38.76	37.53					

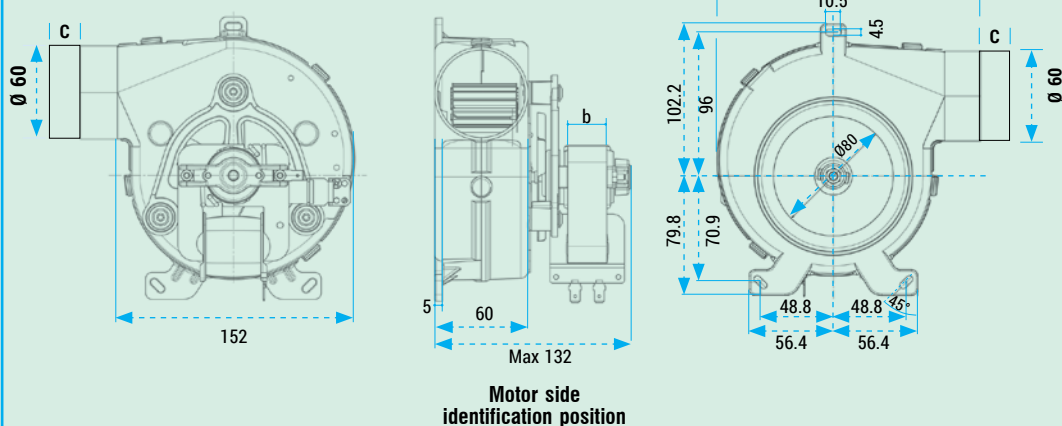
## Flue fans with round outlets Ø 60 mm with external fixing flanges - Motor position on the right

### Motor on the right



Art. R.253

### Dimensions



Motor side identification position

Art. R.253 - Flue fans for boilers with round outlets Ø 60 mm with fixing flanges and motor position on RIGHT - Tension: 230 V. - 50 Hz.

Compatible FIME - NATALINI and EBM-PAPST.

Art. code	Fan Ø mm.	Power W	Lengthening fitting outlet + 6 mm.	Compatible	Price £/quantity ≥	
					1	5
R.253.01	108	29	NO	ARISTON • BIASI • GLOWWORM • IDEAL • IMMERGAS • SIME *	28.71	27.80
R.253.02	108	37	NO	ALFA • GLOWWORM • HEATLINE • HERMANN • IDEAL • IMMERGAS • SIME	28.71	27.80
R.253.03	108	50	NO	ALFA • GLOWWORM • HEATLINE • IDEAL • IMMERGAS • SIME *	29.98	29.02
R.253.04	108	29	YES + C = 15mm.	Various brands *	35.15	34.04
R.253.05	108	37	YES + C = 15mm.	Various brands *	38.32	37.11
R.253.06	108	50	YES + C = 15mm.	Various brands *	39.80	38.53
R.253.08	120	47	NO	ALFA • ARISTON • BIASI • GLOWWORM • HEATLINE • HERMANN • IDEAL • IMMERGAS • SIME *	30.69	29.71
R.253.09	120	67	NO	GLOWWORM • HEATLINE • IDEAL • IMMERGAS • SIME *	32.67	31.64
R.253.11	120	47	YES + C = 15mm.	Various brands*	40.59	39.31
R.253.12	120	67	YES + C = 15mm.	Various brands*	39.12	37.88

\* Manufacturers not listed. Before ordering, check the outlet or volute diameter, the impeller outer diameter, and the overall dimensions.

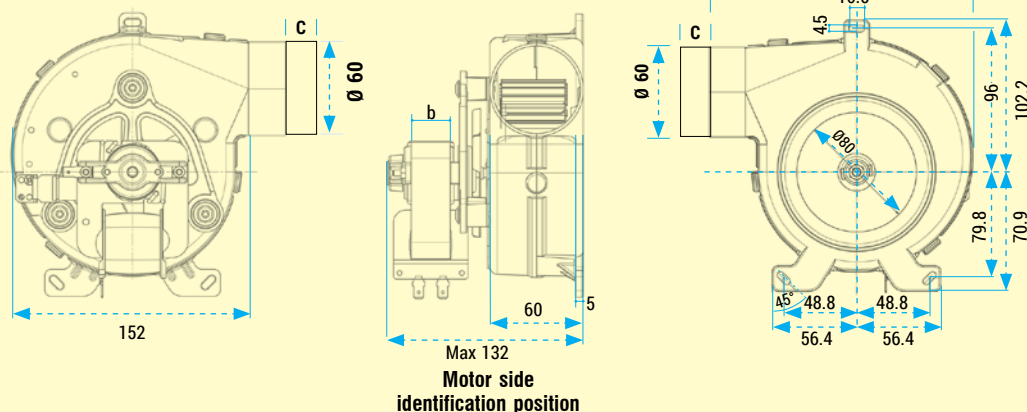
## Flue fans with round outlets Ø 60 mm with external fixing flanges - Motor position on the left

### Motor on the left



Art. R.253

### Dimensions



Motor side identification position

Art. R.253 - Flue fans for boilers with round outlets Ø 60 mm with fixing flanges and motor position on LEFT - Tension: 230 V. - 50 Hz.

Compatible FIME - NATALINI e EBM-PAPST.

Art. code	Fan Ø mm.	Power W	Lengthening fitting outlet + 6 mm.	Compatible	Price £/quantity ≥	
					1	5
R.253.19	120	34	NO	BERETTA • IMMERGAS • RIELLO • HEATLINE *	28.01	27.13
R.253.20	120	45	NO	BERETTA • IMMERGAS • RIELLO • HEATLINE *	29.40	28.47
R.253.21	120	67	NO	BERETTA • IMMERGAS • RIELLO • HEATLINE *	30.29	29.34
R.253.22	120	34	YES + C = 15mm.	WORCESTER*	34.45	33.37
R.253.23	120	45	YES + C = 15mm.	WORCESTER*	35.84	34.71
R.253.24	120	67	YES + C = 15mm.	WORCESTER*	37.33	36.15

\* Manufacturers not listed. Before ordering, check the outlet or volute diameter, the impeller outer diameter, and the overall dimensions.

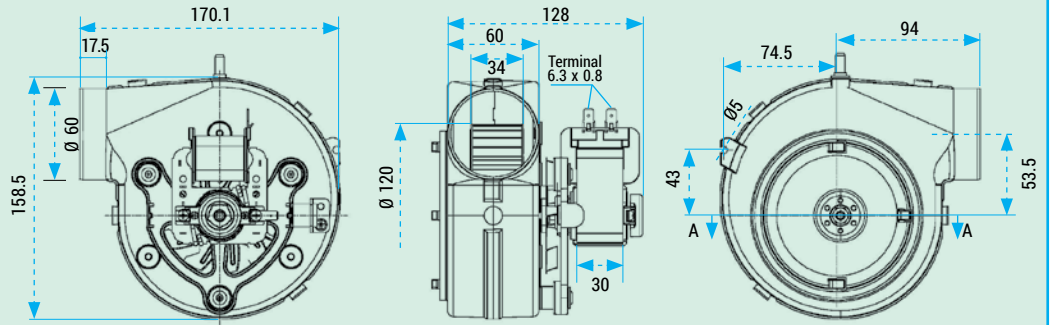
## Flue fans with round outlets Ø 60 mm with hooks on suction



Art. R.254.47



### Dimensions



Art. R.254.47 - Flue fan for boilers with round outlet Ø 60 mm, motor position RIGHT, with fastening hooks on the suction and outer flange, with pressure connection - Voltage: 230 V - 50 Hz

Compatible with various brands of boilers. Check the compatibility of replacement with the diameter of the mouth outlet, the outer diameter of the fan. Compatible FIME - NATALINI and EBM-PAPST.  
For lengthening fittings outlet see **page 150 (F)**.

Art. code	Fan Ø mm.	Power W	Compatibility	Price £/quantity ≥	
				1	5
R.254.47	120	47	VAILLANT and other brands	29.69	28.76

## Flue fans with specific structural features

### ARISTON MTS - CHAFFOTEAUX



Price  
£ 29.17



Art. K.813.37

Art. K.813.37 - Flue fan compatible with "ARISTON" boilers and related companies (Simat - Radi - Chaffoteaux).

Code reference Ariston: 65104357.

With external fastening flanges.

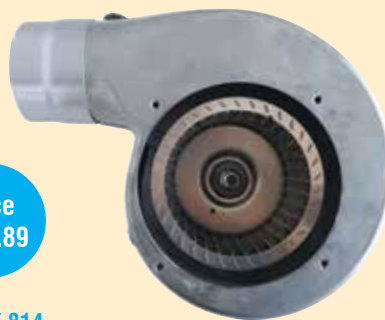
Outlet with special connector. Input power 35 W.

Quantity ≥	1	5
Price £	30.64	29.17

### IMMERGAS



Price  
£ 33.89



Art. K.814

Art. K.814 - Flue gas extractor compatible with "IMMERGAS" boilers.

Exit outlet Ø 60 mm. - Dimensions: 240 x 183 mm.

Art. code	Reference Immergas	Compatibility FIME	Motor W	Price £
K.814.76	1018776	GR00050P	47	41.92
K.814.79	1018779	GR000525	50	33.89
K.814.78	1018778	GR000530N	55	34.41
K.814.77	1018777	GR000535	65	36.62

### JUNKERS BOSCH



Art. K.815.35



Art. K.815.35 - Flue fan compatible with "JUNKERS" - "BOSCH" boilers, input power 47 W.

With fastening flanges on the suction.

Reference Junkers: 8716771101.

Quantity ≥	1	5
Price £	32.90	31.34

## SAUNIER-DUVAL



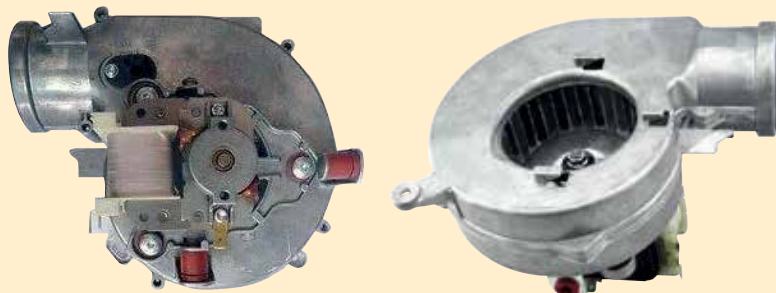
Art. K.825.10

Art. K.825.10 - Flue fan compatible with SAUNIER DUVAL. Input power: 55 W.

Reference SAUNIER-DUVAL: S1008800.

Quantity ≥	1	5
Price £	35.01	33.35

## VAILLANT



Art. K.820.53

Art. K.820.53 - Flue fan compatible with "VAILLANT" boiler.

Vaillant reference: 190272.

Application on VM 242 / 2-5, 282 / 2-5-R2 R3, VMW turbo pro / 2-3 and plus / 2-5, R2-R3, VMI 242-7, 282-7 (B) and R2-R3, 322-7 and R3. Input power: 60 W.

Quantity ≥	1	5
Price £	33.56	31.96

Art. K.822.35 - Flue fan compatible with water heaters and boilers "VAILLANT".

With fastening flanges on the suction and motor on the left. Outlet with connection Ø 60. Input power: 35 W.

Quantity ≥	1	5
Price £	30.66	29.19

Left



Art. K.822.35

Art. R.254.47 - Flue fan compatible with water heaters and boilers "VAILLANT".

With fastening flanges on the suction and motor on the right. Outlet with connection Ø 60 - Fan Ø 120 - Motor 47 W.

Quantity ≥	1	5
Price £	29.69	28.76

Right



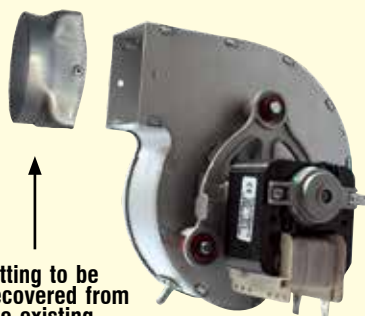
Art. R.254.47

Art. K.823 - Flue fan compatible with "VAILLANT" boilers. Input power: 60 W.

Type	With rectangular outlet 52 X 60 without connection.	
Reference	MM. Turbo - VC - VCW - VMW - VM - VMI	
Art. code	K.823.00	
Quantity ≥	1	5
Price £	35.01	33.35



Art. K.823



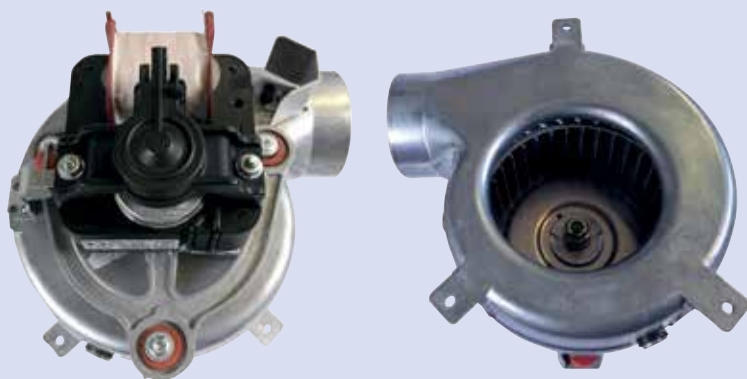
Fitting to be recovered from the existing extractor



For product information, you can send us messages and photos via **WhatsApp**.

+44 1227 458 684

We do not provide product information over the phone. Checking spare part compatibility is a free service to assist the customer with their purchase. We accept no responsibility if the indicated product does not match.

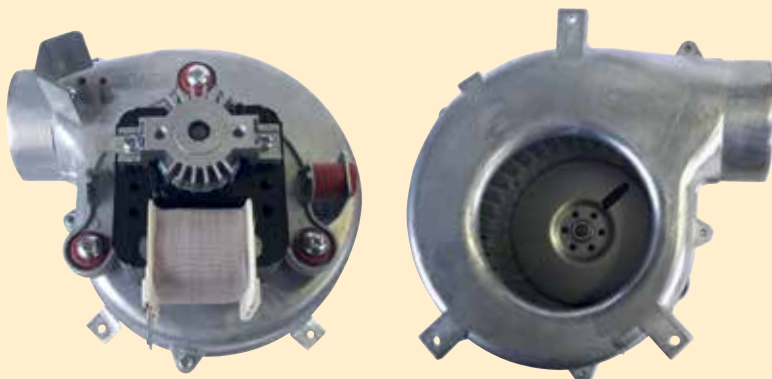


Art. K.830.35

**Art. K.830.35 - Compatible flue gas extractor for "Viessmann" boilers with encoder. - 60 W. - Ø 60 outlet. Left-hand motor.**

Reference Viessmann: 7829879 - Vitopend 100WHO.

Quantity ≥	1	5
Price £	39.69	38.65



Art. K.840.40

**Art. K.840.40 - Compatible flue gas extractor for "Viessmann" and other brands of boilers with Ø 60 outlet. Complete with pressure taps.**

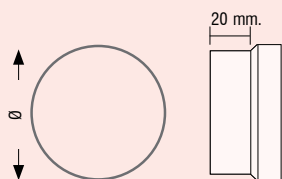
Right-hand motor - 55 W - Fan Ø 108.

Quantity ≥	1	5
Price £	29.28	27.89

## Accessories for flue fans



Art. R.265

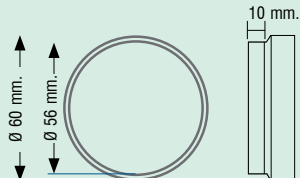


**Art. R.265 - Pack of n. 5 extension of 20 mm for the outlet mouth of flue fans diameter 56 mm.**

Ø Outlet	56	60
Art. code	R.265.00	R.265.60
Price £	7.41	10.22



Art. R.266.00



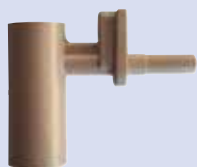
**Art. R.266.00 - Pack of n. 5 diameter enlargening rings from 56 to 60 mm for the outlet of flue fans, with lengthening of 10 mm.**

Price £ 5.98

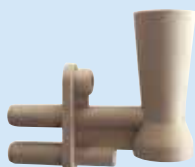
**Art. R.267.00 - Pack of n. 5 funnels VENTURI, with Ø 6mm connections: to be inserted in the outlet of the flue fan or in its duct. Complete of fixing screw. Compatible MTS.**

Equipped with adhesive for track of perforation: to be glued on the shell for its inclusion.

Price £ 8.81



Art. R.267.00



Art. R.268.00

**Art. R.268.00 - Pack of n. 5 VENTURI funnels, with two Ø 6 mm connections: positive and negative, to be inserted into the extractor outlet or its duct. Complete with fixing screw.**

Equipped with adhesive for track of perforation: to be glued on the shell for its inclusion.

Price £ 8.81



Art. R.269.00  
Art. R.269.30



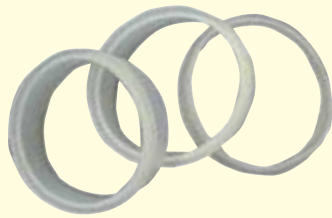
**Art. R.269 - Pack of n. 5 pressure taps for ducts and flue fans.**

Complete with fixing screws and tracking sticker, ready to be drilled and glued on the shell for its inclusion.

Art. code	Insertion length	Price £
R.269.00	15 mm.	8.11
R.269.30	30 mm.	10.23



Art. R.445.02



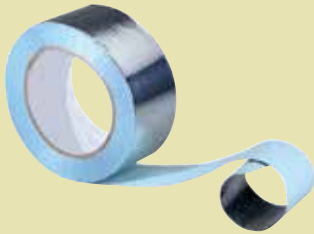
Art. R.603.00

Art. R.445.02 - Coil of 2 mt silicone tube diam. Ø 4 x 7, for connection to differential pressure switches. Resistant to high-temperatures.

Price £ 2.26

Art. R.603.00 - Pack of 10 silicone washers for flue mouthpiece. Diam. 60 mm.

Price £ 3.50



Art. F.660.04



Art. F.730

Art. F.660.04 - Aluminum adhesive tape for increasing the external diameters of flue fans housing.

Thickness 0.4 mm- Width 50 mm- Length 50 mt.

Price £ 6.14

Art. F.730 - Pack of 10 caps for chimney flue, for smoke probes with silicone gasket and screws

Type of flue pipe	Simple	Coaxial	
Ø Outer Diameter – Ø Inner Diameter	16 mm. - 9.5 mm.	16 mm. - 9.5 mm.	
Art. code	F.730.80	F.730.86	
Quantity ≥	1	10	10
Price £	27.64	26.89	31.52

## Premixing fans for condensing boilers



### Technical features:

**Shell:** die-cast aluminum

**Exit outlet:** holes and slots

**Inlet:** compatible with common gas valves

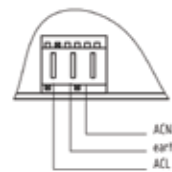
**Impeller:** antistatic plastic

**Temperature range:** 0°-70°C

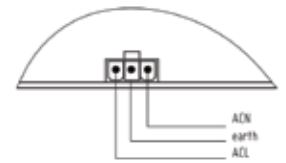
**Speed modulation:** through PWM

## Standard identification elements

Type of connection for power supply 230 V



RAST 5

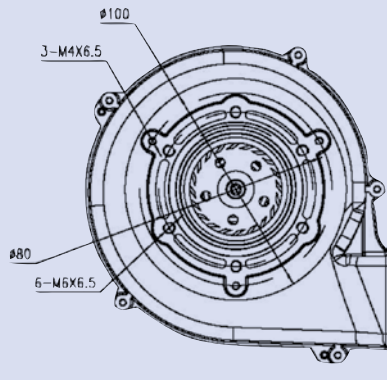
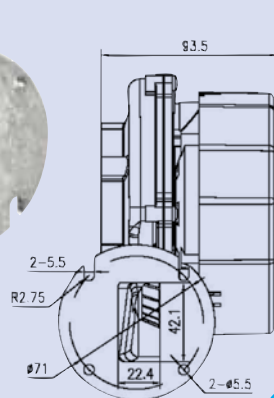


MOLEX

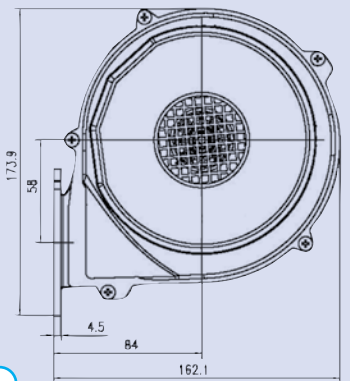
Price  
£ 68.13



Art. K.800

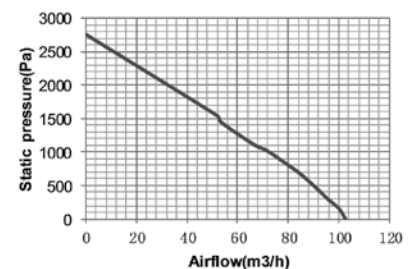


Type FL118 Mc/h 102 - Pressure: 2700 Pa



Art. K.800 - Premixing fan for condensing boilers model FL118 Compatible EBM-PAPST - FIME - LN2 NATALINI

Art. code	Model	W	Voltage Volt	Type Socket	Volume mc/h	Static Pressure (Pa)	RPM Speed	Price £/quantity ≥	
								1	5
K.800.24	FL118020D	50	24	-	102	2700	9300	71.54	68.13
K.800.31	FL118020D	68	230	RAST 5	102	2700	9300	80.84	77.00
K.800.33	FL118020D	68	230	MOLEX	102	2700	9300	81.23	77.36



## HOW TO ORDER FROM US

E-mail



uk@antaresint.com

Telephone



+44 1227 458 684

Website



www.antaresint.com

Whatsapp

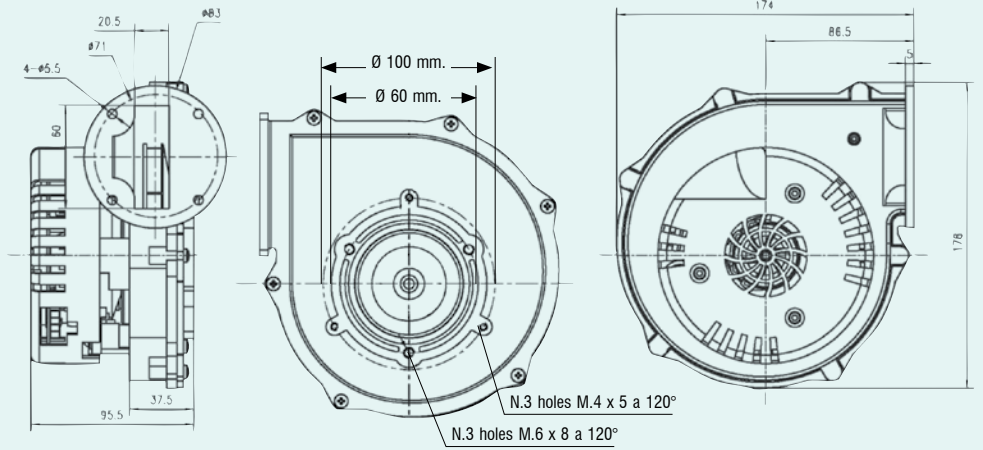


+44 1227 458 684

Price  
£ 79.28



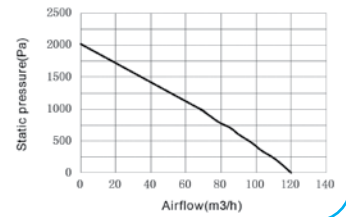
Art. K.802



Type FL130 mc/h 125  
Pressure: 2500 Pa

Art. K.802 - Premix flue fan for condensing boilers FL130 model compatible EBM PAST - FIME - LN2 NATALINI.

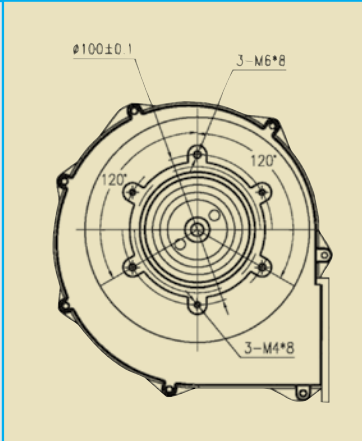
Art. code	Model	Voltage Volt	W	Type Socket	Volume mc/h	Stat. pressure (Pa)	RPM speed	Price £/quantity ≥	
								1	5
K.802.24	FL130021D	24	54	-	120	2000	8200	83.25	79.28
K.802.31	FL130021D	230	50	RAST 5	125	2500	8500	83.25	79.28
K.802.33	FL130021D	230	50	MOLEX	125	2500	8500	83.25	79.28



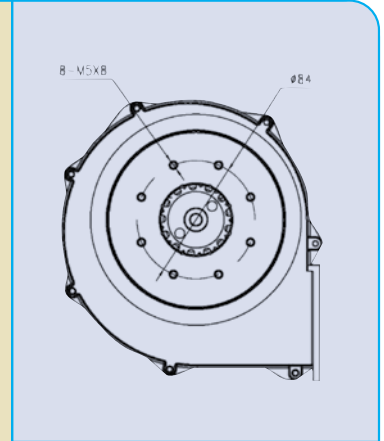
Art. K.805

Price  
£ 104.34

Type FL148 mc/h 190  
Pressure: 3000 Pa

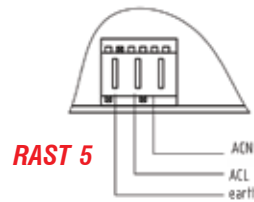


Flange type "A"

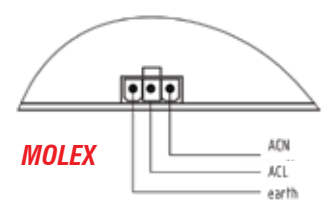


Flange type "B"

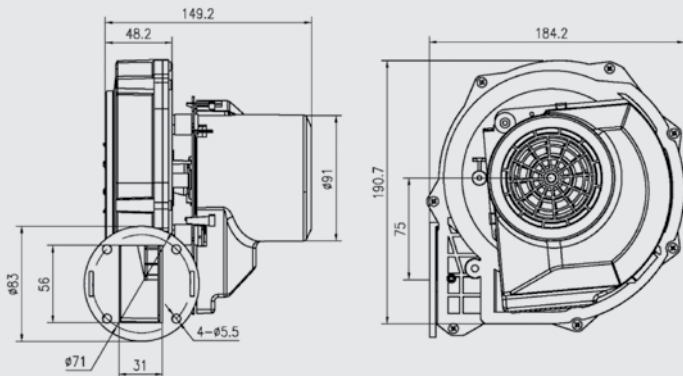
Power supply connection type 230 V.



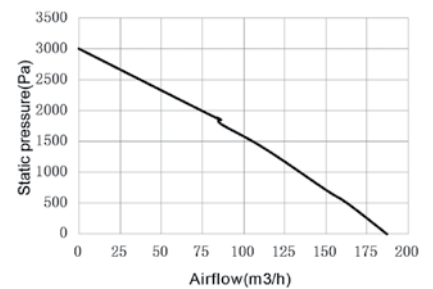
RAST 5



MOLEX



Pressure/  
Flow chart



Art. K.805 - Premix fan for condensing boilers, FL148 model, compatible with EBM-PAPST - FIME - LN2 NATALINI.

Art. code	Model	Voltage Volt	Type Socket	W	Flange type inlet	Volume mc/h	Static pressure (Pa)	RPM speed	Price £/quantity ≥	
									1	5
K.805.32	FL148029D	230	RAST 5	130	B	190	3000	5600	109.56	104.34
K.805.33	FL148029D	230	MOLEX	130	A	190	3000	5600	109.56	104.34
K.805.34	FL148029D	230	MOLEX	130	B	190	3000	5600	109.56	104.34

## Air and gas pressure switches for boilers

**Honeywell compatible**

Price  
£ 8.45



Art. R.428

**Art. R.428 - Differential air pressure switch for boilers "PRESSAIR" compatible HONEYWELL C6065 - Setting according to needs.**

Art. code	Model Compatible Honeywell	Pre-setting		Price £/quantity ≥	
		ON (mbar)	OFF (mbar)	1	10
R.428.06	C6065A 1002	0.59	0.44	9.95	8.45
R.428.28	C6065A 1028	0.39	0.15	9.95	8.45
R.428.05	C6065A 1135	0.51	0.39	9.95	8.45
R.428.90	C6065A 1390	0.49	0.34	9.95	8.45
R.428.76	C6065F 1076	0.90	0.75	9.95	8.45

**Art. R.430 - Differential air pressure switch "HONEYWELL" for boilers.**

Art. code	Model	ON (mbar)	OFF (mbar)	Price £/quantity ≥	
				1	10
R.430.08	C4065FH 1008	1.01	0.86	48.37	47.06
R.430.04	C4065FH 1024	0.52	0.36	42.56	39.36
R.430.06	C6065A 1002	0.59	0.44	43.20	39.95
R.430.05	C6065A 1135	0.51	0.39	42.56	39.36
R.430.90	C6065A 1390	0.49	0.34	43.83	40.54
R.430.09	C6065AH 1020	0.89	0.74	42.56	39.36
R.430.12	C6065F 1100	1.40	0.90	37.48	34.67
R.430.17	C6065F 1241	1.65	1.50	45.74	42.30
R.430.18	C6065FH 1128	1.76	1.35	36.71	33.95
R.430.36	C6065FH 1136	1.08	0.72	45.74	42.30
R.430.13	C6065FH 1227	1.33	1.20	45.74	42.30

**Honeywell**



Art. R.430

**Art. R.434 - Differential air pressure switch "SIT" for boilers.**

Art. code	Model	Pressure reference mbar	Point	Price £/quantity ≥	
				1	10
R.434.01	0 380 001	0.64 - 0.44	Yellow	52.25	50.84
R.434.04	0 380 004	0.5 - 0.3	Black	49.03	46.31
R.434.06	0 380 006	1 - 0.73	Blue	51.12	49.74
R.434.21	0 380 021	0.64 - 0.44	Yellow	49.65	48.31
R.434.22	0 380 022	-	-	49.65	48.31

**SIT**

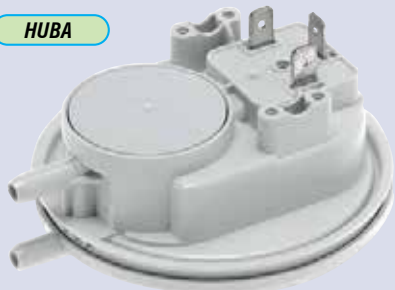


Art. R.434

**Art. R.435 - Pre-set differential air pressure switch "HUBA" for wall-hung boilers.**

Art. code	Compatible	Pre-set calibration	Price £/quantity ≥	
			1	10
R.435.88	VAILLANT 0020018138	100/72 Pa	11.83	11.61
R.435.18	FERROLI	47 Pa /Δ12 Pa	12.01	11.78

**HUBA**



Art. R.435



Art. R.445.02

**Art. R.445.02 - 2 m roll of silicone tube Ø int. 4 mm., Ø ext. 7 mm. for connection to differential pressure switches. High-temperature resistant.**

Price £ 2.26

**Discover and download extended documentation for product ranges**

A dedicated tool that helps you select the appropriate product for replacing various models



[www.antaresint.com](http://www.antaresint.com)

## Low water safety pressure switches

**Compatible:**  
ARISTON  
IMMERGAS  
UNICAL  
INNOVITA  
BOSCH

**GTE mod. SL**



Art. R.219

**Art. R.219 - Low water safety pressure switch for GTE boilers mod. SL.**

Art. code	Connection	Compatible	Calibration	Price £
R.219.00	Quick Ø 12.7	ARISTON - INNOVITA	0.5	7.65
R.219.03	Quick Ø 13.8	IMMERGAS	0.4	6.25
R.219.06	Quick Ø 13.8	UNICAL	0.5	6.25
R.219.11	1.8" M.	BOSCH	0.5	6.25

**SIME**



Art. R.220.34

**RIELLO**



Art. R.221.15

**Art. R.220.34 - Low water safety pressure switch for Fonderie SIME boilers.**

Quick connection Ø 13.8. Calibration: 0.4 bar.

Price £ 6.95

**Art. R.221.15 - Pressure switch for RIELLO-BERETTA boilers with contact closing: 0.35 bar - contact opening: 0.15 bar.**

Reference code: 10028141.

Price £ 6.34

**BAXI**



Art. R.222.21

**IMMERGAS**



Art. R.224.29

**Art. R.222.21 - Pressure switch for BAXI boilers with contact closing: 0.45 bar - contact opening: 0.30 bar.**

Reference code: 710048500.

Price £ 6.39

**Art. R.224.29 - Pressure switch for IMMERGAS boilers with contact closing: 0.70 bar.**

Reference code: 32700029.

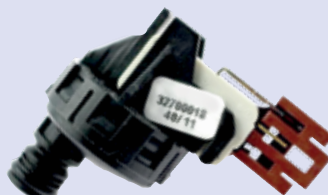
Price £ 6.36

**ARISTON - BSG**



Art. R.228.33

**ARISTON - CHAFFOTEAUX**



Art. R.229.18

**Art. R.228.33 - Pressure switch for ARISTON - BSG boilers with contact closing: 0.35 bar - contact opening: 0.15 bar.**

Reference code ARISTON: 460070020000.

Reference code BSG: 4021.1175.18/0.

Price £ 6.80

**Art. R.229.18 - Pressure switch for ARISTON - CHAFFOTEAUX boilers with contact closing: 0.13 bar - contact opening: 0.45 bar.**

Reference code: 460070010600.

Price £ 6.88

**Art. R.218 - Low water safety pressure switch for GTE boilers, Compatible CEME.**

Art. code	Connection M.	Compatible	Calibration bar	Price £
R.218.08	1/4"	Adjustable	0.8	7.65
R.218.03	1/4"	IMMERGAS	0.3	7.65
R.218.04	1/4"	FERROLI	0.4	7.65
R.218.41	Quick	FERROLI	0.4	5.45
R.218.05	1/4"	BAXI	0.5	7.65

**Art. R.223.04 - Adjustable low water safety pressure switch ANTARES type GTC, Compatible CEME and MA-TER, 0.2 ÷ 4.5 bar.**

Connection 1/4" M - pre-set: normally open ON: 0.5 - OFF: 0.3.

Quantity ≥	1	10
Price £	3.98	3.79

**Art. R.225 - "CEME" low water safety pressure switch - adjustable 0.2 ÷ 6 bar - Changeover contacts.**

Art. code	CEME Code	Connection M.	Compatible	Calibration bar	Price £
R.225.41	64200N0150.4	Quick	FERROLI	0.4	8.89
R.225.51	64122N3170.5	1/4"	BAXI	0.5	9.31

**Art. R.226 - Water pressure switch for "SIT" boiler Series 0.340.**

Art. code	Model	Connection Ø	Calibration mbar	Price £
R.226.02	0.340.002	1/4" M.	500	52.15
R.226.03	0.340.003	1/4" M.	1.000	54.78
R.226.07	0.340.007	1/8" M.	500	53.15

**Art. R.227 - Adjustable water pressure switch for "MA-TER" boilers.**

Art. code	Model	Connection Ø	Scale	Calibration	Price £
R.227.60	XP600	1/8" M.	0.2-1.2 bar	0.5	9.17
R.227.62	XP6001412	1/4" M.	0.2-1.2 bar	0.5	9.12

### General compatibility pressure switches

**GTE**



Art. R.218

**CEME e MA-TER**



Adjustable

Art. R.223.04

**CEME**



Art. R.225

**SIT**



Art. R.226

**MA-TER**



Art. R.227

## Pressure sensors – Pressure transducers

**CEME**



Art. R.290

Art. R.290 - "CEME" pressure sensor PE Series - AMP Duoplug electrical connector.

Art. code	CEME code	Connection	Compatible	POWER		Price £
				IN	OUT	
R.290.01	5230AA00	3/8"M.	FERROLI	5 Vac±10%	0.5÷2.5 Vac	15.38
R.290.02	5220AA04	1/4"M.	IMAS	5 Vac±10%	0.5÷2.5 Vac	14.24
R.290.03	5240BB00	Quick	UNICAL	8÷30 Vac	0.5÷3.5 Vac	14.73
R.290.04	5240AB00	Quick	HONEYWELL	5 Vac±10%	0.5÷3.5 Vac	14.24



Price  
£ 8.40

Art. R.291

Art. R.291 - Pressure sensor for boilers. Compatible with Ferrolti and other brands.

Electrical connection: Stoko MFMP 7234-003-500 – Max. pressure: 8 bar – Range: 0–4 bar. Rast 2.5 connection.

Art. code	Connection	Compatible	IN	OUT	Price £
R.291.04	1/4"M.	FERROLI 39809470	+5 Vac	0.5 - 3.5 Vac	8.40
R.291.00	Ø 13.8 quick O.R.	And other brands	+5 Vac	0.5 - 2.5 Vac	8.40

**SAVIO - BIASI**



Art. R.293.00

Art. R.293.00 – Eltek pressure sensor for boilers SAVIO, BIASI, BERETTA-RIELLO-VOKERA, THERMITAL-FONTECAL and other brands.

Ref. SAVIO BIASI: BI1592115 - Ref. BERETTA: 20024559.

Price £ 10.31

**VAILLANT AND OTHERS**

Price  
£ 6.91

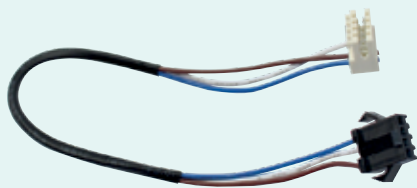


Art. R.294.17

Art. R.294.17 - Pressure sensor for VAILLANT, HERMANN, SAUNIER DUVAL, VISSMANN.

Reference code: 0020059717

Price £ 6.91



Art. R.295.00

Art. R.295.00 - Connection cable for pressure sensor VAILLANT Art. R.294.17.

Price £ 1.37

## HOW TO ORDER FROM US

E-mail



uk@antaresint.com

Telephone



+44 1227 458 684

Website



www.antaresint.com

Whatsapp



+44 1227 458 684

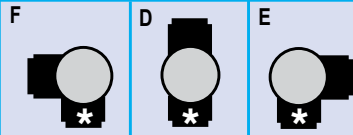
# Three way hydraulic valves and spares

## Giannoni



Art. R.235

Primary circuit connections:  
1 M. x 3/4" M. x 3/4" M.



Looking from above finding the three way type  
\* = Direct flow to instant heater  
• For the old version from 1 1/4" M. (x 3/4" M. x 3/4" M.)  
Use the conversion ring  
Art. G.151.14 on page 57 (W).

Connections of the secondary circuit (domestic) 1/2" M x 1/2" M. positioned at various angles with rotation.

### Art. R.235 - 3-WAY pressure switch valve 'GIANNONI'.

To convert combi-boilers used only for heating to a domestic hot water producer with instant water heating. With 2 microswitches.

Art. code	Primary circuit connection	Connections position on valve	Type	Price £/Quantity ≥	
				1	5
R.235.10	1"M. x 3/4"M. x 3/4M.	D *	V352M1D1a	81.47	78.90
R.235.11	1"M. x 3/4"M. x 3/4"M.	E *	V352M1E1a	81.47	78.90
R.235.12	1"M. x 3/4"M. x 3/4"M.	F *	V352M1Fa	81.47	78.90
R.235.53	1 1/4"M.x3/4"M. x 3/4"M.	D •	V352M2D1a	84.26	81.59

### Art. R.235.30 - "GIANNONI" hydraulic valves for ARCA boilers with 1 microswitch - primary circuit straight connections.

Price £ 78.40

### Art. R.235.40 - Hydraulic valve "GIANNONI" for "ARCA" boilers. Primary connections circuit angle.

Price £ 78.40

### Art. R.235.50 - Hydraulic valve "GIANNONI" for "LAMBORGHINI" boilers without micro.

Price £ 78.40

### Art. R.235.60 - Hydraulic valve "GIANNONI" for "IMMERGAS" boilers. Primary connections circuit angle, secondary circuit conn. 1/2"F and rapid insertion.

Price £ 78.40

## ARCA



Art. R.235.30

**FREE DELIVERY**  
for orders  
over **680 £**

Contact us for  
any information:  
[uk@antaresint.com](mailto:uk@antaresint.com)



## ARCA



Art. R.235.40

## LAMBORGHINI



Art. R.235.50

## IMMERGAS



Art. R.235.60

Art. R.236.00



Price  
£ 7.35

Art. R.238



### Art. R.236.00 - Kit with microswitch for pressure switch valve "GIANNONI" for "IMMERGAS" and "RAVENHEAT" boilers.

Price £ 10.87

### Art. R.238 - Diaphragm compatible with 3-way hydraulic valve "GIANNONI" complete with stainless steel spindle and spring.

Stem length	60 mm.		46 mm.	
Model	Basic		IMMERGAS	
Art. code	R.238.00		R.238.46	
Quantity ≥	1	10	1	10
Price £	7.85	7.45	7.75	7.35

### Art. R.237.00 - Microswitch for valves on IMMERGAS boilers with cable 65cm.

Price £ 5.69

### Art. R.230.02 - Box with two "GIANNONI" micro for pressure switch valves.

Price £ 18.87

## IMMERGAS



Art. R.237.00

Art. R.230.02



### Art. R.239.03 - Pack of 3 glands compatible with 3-way diverter valve "GIANNONI".

Quantity ≥	1	10
Price £	6.95	6.60

### Art. R.231.00 - Microswitch for differential pressure switch PD2 and hydraulic three way valve Art. R.235.10.

Quantity ≥	1	5
Price £	3.13	2.88



Art. R.239.03



Art. R.231.00

## MUT



Price  
£ 5.26

Art. R.248.00

Art. R.248.00 - Diaphragm compatible with 3-way hydraulic valve "MUT" complete with stainless steel spindle and spring.

Quantity ≥	1	10	50
Price £	6.39	5.87	5.26

## Electrical diverter valves for boilers - Zone valves



Price  
£ 22.26



Art. T.080

Art. T.080 - Motorised zone valve "HOTWELL" in brass 230 V – 50Hz.

Normally closed, with lack of voltage goes back to closed. Equipped with lever to open manually.

Art. code	Type	Connections	Kv	Price/Quantity ≥	
				1	5
T.080.03	2-WAY	3/4" F. x 3/4" F.	5.7	24.58	22.26
T.080.00	2-WAY	1" F. x 1" F.	8.7	30.60	27.83
T.080.13	2-WAY	3/4" M. x 3/4" M.	5.7	28.59	27.88
T.080.10	2-WAY	1" M. x 1" M.	8.7	35.77	34.89
T.080.22	2-WAY	Copper tube Ø 22	5.7	32.37	31.57
T.080.28	2-WAY	Copper tube Ø 28	8.7	40.96	39.95
T.080.33	3-WAY	3/4" F. x 3/4" F. x 3/4" F.	5.5	28.42	25.86
T.080.30	3-WAY	1" F. x 1" F. x 1" F.	8.3	34.80	31.79
T.080.43	3-WAY	3/4" M. x 3/4" M. x 3/4" M.	5.5	37.61	35.82
T.080.40	3-WAY	1" M. x 1" M. x 1" M.	8.3	42.44	41.39
T.080.42	3-WAY	Copper tube Ø 22	5.5	39.34	35.80
T.080.48	3-WAY	Copper tube Ø 28	8.3	47.01	45.84

## Honeywell



Art. R.096



Art. R.097

Art. R.096 - 3-way "HONEYWELL" motorised diverter valve type V4044.

Type	V4044C1353	V4044C1388
Connections	3/4" M.	1" M.
Art. code	R.096.13	R.096.38
Price £	84.44	88.61

Art. R.097 - Complete "Honeywell" 3-way motorised diverter valve with microswitch SPDT - 230 V - With power supply cable 1 mt.

Art. code	Type	Connections	Price £
R.097.02	VC6613ME6000	1/2" F.	137.82
R.097.03	VC6613MH6000	3/4" F.	114.06
R.097.10	VC6613MP6000	1" F.	130.27
R.097.13	VC6613MG6000	3/4" M.	156.06
R.097.00	VC6613MQ6000	1" M.	141.63

Art. R.098 - "Honeywell" 3-way diverter valve body VC Series with actuator Art. R.099 forms a motorised diverter valve.

Art. code	Type	Connections	Price £
R.098.03	VCZMG6000E	3/4" M.	62.14
R.098.10	VCZMQ6000E	1" M.	65.97
R.098.13	VCZMH6000E	3/4" F.	84.47
R.098.20	VCZMP6000E	1" F.	80.03



Art. R.098



Art. R.099

Art. R.099 - "Honeywell" actuator for diverter valves VC Series. (ns. Art. R.098)

Art. code	Type	Voltage	Micro	Notes	Price £
R.099.01	VC2010	24V SPDT	Without		42.97
R.099.02	VC2611	24V SPDT	With	With cable	71.77
R.099.12	VC6012	230V SPDT	Without		82.13
R.099.04	VC8610	24V SPST	-	Can replace VC 8611 with cable Art. R. 100.96 - a page158 (F)	66.62
R.099.05	VC4612	230V SPST	-	Can replace VC 4613 with cable Art. R.100.96 - see page158 (F)	114.15
R.099.66	VC6613	230V SPDT	With	With cable	71.50



Art. R.100.96



Art. R.103

Price  
£ 11.79



Art. R.105

Art. R.100.96 - Connection cable, length 800 mm, with female Molex connector, for connection to HONEYWELL V.C. Series actuators, our items R.099.12 and R.099.10.

6-wire type for motors with micro.

Price £ 7.52

Art. R.103 - Synchronous spare gear-motor for zone valves. HONEYWELL, MUT, ORKLI and other brands.

Power supply	24 V.	230 V.
Art. code	R.103.24	R.103.05
Price £	11.79	11.79

Art. R.105 - Spear valve kit for Honeywell valves type VC (Art. R.098) for models from 1/2" to 1".

Valve Type	2-WAY (VCZZ1000)	3-WAY (VCZZ6000)
Art. code	R.105.02	R.105.03
Price £	36.92	31.04

## MUT



Art. R.104



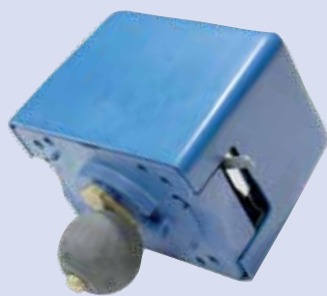
Art. T.092

Art. R.104 - "MUT" Three way diverter valve and piston.

Art. code	Ø	Type	For boilers	Price £
R.104.03	3/4"M.	VMR20ESPDTCR	SAVIO - UNICAL HERMANN	88.15
R.104.13	3/4"M.	VMR20ESPSTCR	SIME	92.29
R.104.10	1"M.	VMR25ESPDTCR	IMMERGAS FONTECAL - AFATEC	92.79
R.104.00	1"F.	VMR25SPDTCR	RADIANT	92.79

Art. T.092 - "MUT" brass motorised zone valves. 220 V - 50 Hz.

Normally closed; with no voltage it returns to the closed position. Equipped with a lever for manual opening. For the end-of-stroke microswitch, see item T.093.00.



Art. R.102.10

Art. code	Model	Connections	Price per Quantity ≥	
			1	5
T.092.02	2-WAY	1/2" F.	72.22	69.40
T.092.03	2-WAY	3/4" F.	73.21	70.36
T.092.10	2-WAY	1" F.	76.38	73.41
T.092.22	2-WAY	Copper tube Ø 22	81.75	78.57
T.092.33	3-WAY	3/4" M.	74.79	72.05
T.092.31	3-WAY Compatible Vaillant	1" M.	77.50	74.48
T.092.43	3-WAY	3/4" F.	74.39	71.49
T.092.40	3-WAY	1" F.	77.50	74.48
T.092.30	3-WAY	Flanged (•)	77.79	75.33
T.092.42	3-WAY	Copper tube Ø 22	81.59	78.41
T.092.48	3-WAY	Copper tube Ø 28	85.01	81.70
T.092.55	3-Way with middle position function	Copper tube Ø 15	80.90	76.14
T.092.52	3-Way with middle position function	Copper tube Ø 22	85.13	80.13

Art. R.102 - Motorised mechanism for the 'MUT' valve. Complete set without brass housing. 230 V - 50 Hz.

Rubber ball diameter: 22 mm, for valves from 1/2" to 3/4".

Quantity ≥	1	5
Price £	66.37	64.28

(•) = For flanges see Art. R.210, page 113 (F).

## Microswitches

### GIANNONI



Art. R.230.02

### GIANNONI - MUT



Art. R.231.00

Art. R.230.02 - Box with 2 micro "GIANNONI" for pressure control valve.

Price £ 18.87

Art. R.231.00 - Microswitch for differential pressure switch PD2 and 3-way hydraulic valve Art. R.235 - 16(4) A.

Quantity ≥	1	5
Price £	3.13	2.88

### FUGAS



Art. R.234.00

### IMMERGAS - RIELLO



Art. R.236.00

Art. R.234.00 - BITRON box with microswitch for FUGAS groups with 98 cm cable.

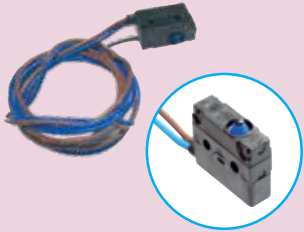
Reference: 0217

Price £ 7.38

Art. R.236.00 - Kit with microswitch for "GIANNONI" pressure switch valve for "IMMERGAS" boilers.

Price £ 10.87

**IMMERGAS**



Art. R.237.00

**IMMERGAS - RIELLO**



Art. R.242.00

Art. R.237.00 - Microswitch for valves on IMMERGAS boilers with 65 cm cable.

Price £ 5.69

Art. R.242.00 - Microswitch for boilers "BERETTA" - "RIELLO" - "IMMERGAS".

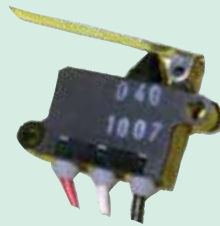
Price £ 6.13

**IMMERGAS**



Art. R.243.00

**BAXI**



Art. R.244.00

Art. R.243.00 - Microswitch for valves on IMMERGAS boilers with cable.

Reference: 16696.

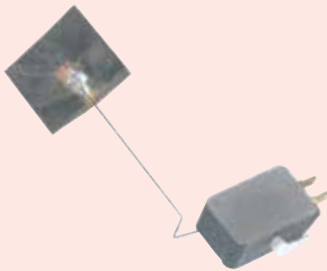
Price £ 4.80

Art. R.244.00 - Microswitch for valves on BAXI boilers with cable.

Reference: 843435.2

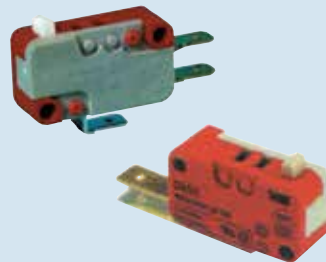
Price £ 4.16

**LEBLANC**



Art. R.665.40

**SAUNIER DUVAL**



Art. R.760

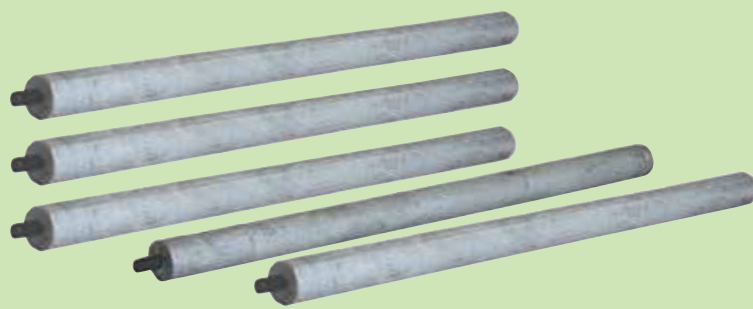
Art. R.665.40 - Smoke outlet microswitch for wall boiler "ELM-LEBLANC" GVM (30769-83132).

Quantity ≥	1	10
Price £	3.35	3.24

Art. R.760 - Microswitch compatible with "SAUNIER DUVAL" boilers.

Model	3 contacts misaligned		2 contacts aligned (Ref. 52615)	
Art. code	R.760.00		R.760.02	
Quantity ≥	1	5	1	5
Price £	2.95	2.25	2.95	2.25

**Sacrificial anodes for boilers**



Art. C.095

Art. C.095 - Pack of 5 magnesium alloy sacrificial anodes for cathode protection of boilers and water heaters.

Art. code	Diameter Ø	Connection thread	Lenght mm.	Price £/quantity ≥	
				1 Pack.	5 Pack.
C.095.16	16	M. 4 x 0.7	600	12.39	11.80
C.095.30	22	M. 8	300	11.93	11.36
C.095.40	22	M. 8	400	15.35	14.61
C.095.50	22	M. 8	500	18.85	17.95
C.095.10	22	M. 8	1.000	36.36	34.62
C.095.63	26	M. 8	300	16.08	15.32
C.095.64	26	M. 8	400	20.88	19.89
C.095.65	26	M. 8	500	25.68	24.46
C.095.33	32	M. 8	300	23.46	22.34
C.095.34	32	M. 8	400	30.84	29.38
C.095.38	32	M. 8	500	38.04	36.23
C.095.47	40	M. 8	700	70.99	67.61

Art. C.098.80 - Sausage-string magnesium alloy anodes with cap 3/4" M. Length 800 mm - Diameter of anode 21mm.

Particularly suitable for difficult installments due to lack of space.

Purchase quantity ≥	1	5
Price £	16.00	15.24



**N.B.**  
For difficult substitutions and lack of space.

Art. C.098.80

**ANTARES**

The proven choice for over 30 years.



## Specific diverter valves for boilers

### Vaillant



Art. R.110.00

### Chaffoteaux



Art. R.111.00

### Ariston-Multi brands



Art. R.113.00

Art. R.110.00 - Three way diverter valve for VAILLANT boilers.

Reference Code VAILLANT: 0020073799

Price £ 67.06

Art. R.111.00 - Motor for three way valve CHAFFOTEAUX.

Price £ 33.22

Art. R.113.00 - 3 Way valve for various brands BITRON complete with actuator.

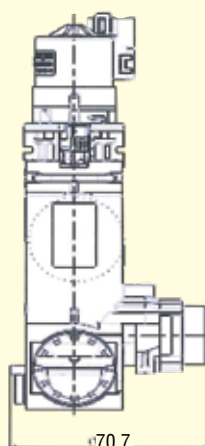
Compatible ARISTON - MTS (Reference: 60001583)

Price £ 25.91

### Bosch



Art. R.114.00



70.7

Art. R.114.00 - 3 Way valve with stepper actuator BITRON for BOSCH boilers.

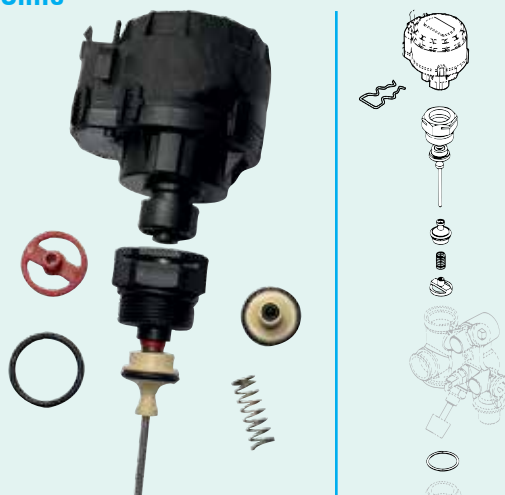
Price £ 28.81

### Ferrolli



Art. R.115.00

### Sime



Art. R.117.00

Art. R.115.00 - Motor with insert for three way valve FERROLI boilers.

Reference Code: 39835390

Price £ 43.86

Art. R.117.00 - Kit for KRAMER 3-way plate group complete with electric actuator - 230 VAC. - Ref. code 6319645.

For SIME boilers and other brands

Quantity ≥	1	5
Price £	24.39	23.17

### Junkers - Bosch



Art. R.152

Art. R.152 - 3-way valve with actuator for boilers Bosch - Junkers.

Type	Without safety valve	With safety valve
Reference	8-717-010-089	8-717-010-062
Art. code	R.152.00	R.152.01
Price £	26.66	35.79

## Actuators and spare parts for diverter valves

Price  
£ 11.79



Art. R.103

### Universal Standard

230 vac



Art. R.106

Art. R.103 - Synchronous spare reducer-motor for zone valves HONEYWELL, MUT, ORKLI and other brands.

Power supply	24 V.	230 V.
Art. code	R.103.24	R.103.05
Price £	11.79	11.79

### Universal Compact

230 vac



Art. R.107

### Bosch Standard

24 vac



Art. R.108.24

Art. R.106 - Universal standard actuator flat type for valve: ELBI - BAXI - CHAFFOTEAUX - SAUNIER DUVAL - IMMERGAS - SAVIO - UNICAL - FONDITAL - ECOFLAM - IMAR - HERMANN - MTS/ARISTON - RIELLO - BERETTA/VOKERA - 230 Vac.

Art. code	Actuator stroke	Price/Quantity ≥	
		1	10
R.106.00	7.5 mm	5.61	5.49
R.106.10	10 mm	12.04	11.76

Art. R.107 - Compact universal actuator for valve: ELBI - BAXI - CHAFFOTEAUX - SAUNIER DUVAL - IMMERGAS - SAVIO - UNICAL - FONDITAL - ECOFLAM - IMAR - HERMANN - MTS/ARISTON - RIELLO - BERETTA/VOKERA - 230 Vac.

Art. code	Actuator stroke	Price/Quantity ≥	
		1	10
R.107.00	7.5 mm	12.06	11.78
R.107.10	10 mm	12.02	11.75

### Bosch Compact

24 vac



Art. R.109.24

### Saunier Duval Vaillant



Art. R.112.00

Art. R.108.24 - Actuator for diverter valve for BOSCH boilers.

Flat model - 24 Vac - Running course 7.5 mm - 80N - Ref: 8-717-204-345-0		
Quantity ≥	1	5
Price £	18.90	17.96

Art. R.109.24 - Actuator for diverter valve for BOSCH boilers.

Compact model - 24 Vac - stroke 10 mm - 70N - Ref: 8713644564		
Quantity ≥	1	5
Price £	22.05	20.94

### Riello - Beretta - Vokera



Art. R.155.00

For product information, you can send us messages and photos via **WhatsApp**.



+44 1227 458 684

We do not provide product information over the phone. Checking spare part compatibility is a free service to assist the customer with their purchase. We accept no responsibility if the indicated product does not match.

Art. R.112.00 - Motor for 3-way valve for SAUNIER DUVAL, VAILLANT, and other boiler brands - 24 V.

Code Ref. SAUNIER DUVAL: S1053700 - Code Ref. VAILLANT: 0020020015.

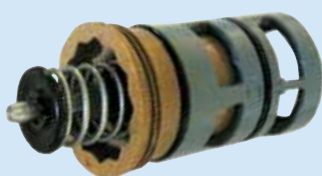
Price £ 12.33

Art. R.155.00 - Actuator for diverter valve for RIELLO BERETTA VOKERA boilers.

230 Vac - stroke 7.5 mm - 70N - Ref: 20017584		
Quantity ≥	1	5
Price £	13.18	12.76

## Cartridges for diverter valves

### Honeywell



Art. R.105

### Bitron



Art. R.330.00

Art. R.105 - Spear valve kit for HONEYWELL valves type VC (Art. R.098) for models from 1/2" to 1".

Type of valves	2-WAY (VCZZ1000)	3-WAY (VCZZ6000)
Art. code	R.105.02	R.105.03
Price £	36.92	31.04

Art. R.330.00 - Internal cartridge BITRON for 3 way valves various brands.

Version universal BITRON ref. 20490636.

Price

### Riello - Beretta



Art. R.332.00

### Riello - Beretta



Art. R.333.00

Art. R.332.00 - Cartridge with shutter for three-way valve RIELLO - BERETTA - VOKERA Reference: 10025305.

Price £ 9.92

Art. R.333.00 - Cartridge with shutter for three-way valve RIELLO - BERETTA - VOKERA

Price £ 8.04

**BOSCH - BEKO - BAXI  
BEYMAK - ARISTON**



Art. R.334.00

**COSMOGAS - BITRON**



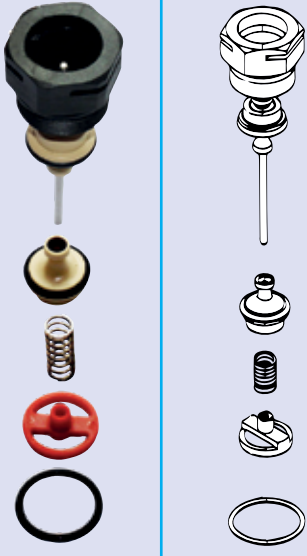
Art. R.336.00

Art. R.334.00 – Three-way valve cartridge with shutter for boilers. Compatible with BOSCH, BEKO, BAXI, BAYMAK, and ARISTON.

Compatible with: Beko – Baxi – Baymak – Ariston – Chaffoteaux and other brands. Reference: 8-718-644-562-0.

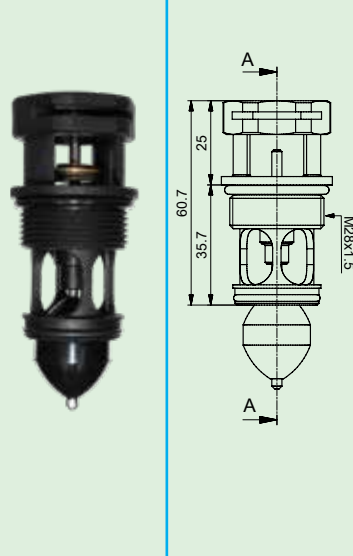
Price £ 14.79

**KRAMER  
SIME**



Art. R.338.00

**KRAMER  
SAVIO**



Art. R.340.00

Art. R.336.00 - BITRON cartridge for standard hydraulic groups.

Compatible for boilers COSMOGAS (Ref. 61202037) and other brands.

Price £ 7.61

Art. R.338.00 - Kit for KRAMER 3-way plate group without actuator. Code ref. 6319645 3C10735C.

For SIME boilers and other brands.

Purchase quantity ≥	1	5
Price £	7.64	7.25

Art. R.340.00 - Cartridge for three-way valve KRAMER - BI1801103

Compatible for SAVIO BIASI boilers and other brands.

Price £ 4.24

**CHAFFOTEAUX**



Art. R.658.30

For any missing code or  
unavailable product  
**PLEASE CONTACT US**

@ [uk@antaresint.com](mailto:uk@antaresint.com)

Telephone and WhatsApp  
**+44 1227 458 684**

Art. R.658.30 - Rod for diaphragm valve compatible with "CHAFFOTEAUX ET MAURY" wall boiler (31816).

Purchase quantity ≥	1	10
Price £	9.07	8.87

**Glands for boiler water groups**

**Universale**



Art. R.790.00

**Vaillant**



Art. R.790.35

**Beretta/Vokera  
Riello**



Art. R.790.77

**Riello - Ocean**



Art. R.790.42

**Leblanc**



Art. R.790.31

**Chaffoteaux**



Art. R.790.32

Art. R.790 - Pack of 5 glands for specific boiler makes.

Boiler type	UNIVERSALE M 10 X 1	VAILLANT	BERETTA/VOKERA RIELLO	RIELLO OCEAN	LEBLANC (26364)	CHAFFOTEAUX (22639)
Art. code	R.790.00	R.790.35	R.790.77	R.790.42	R.790.31	R.790.32
Price £	14.88	8.57	14.38	10.27	12.77	19.34

**For "Giannoni" valve**



Art. R.239.03

Art. R.239.03 - Pack of 3 compatible gland packings for "GIANNONI" 3-way diverter valve.

Quantity ≥	1	10	50
Price £	6.95	6.60	6.15

## Flow switches and flow meters

### Pressostatic flow switch



Art. S.040



Art. R.232



Art. R.233.00



Art. R.233.03

#### Art. S.040 - Differential flow switch in brass 'MUT'

Connections Ø	1/2" M. x 1/2" M.		3/4" M. x 1/2" M.
Model	SFP1	SFP2	SBP/1
Complete with	1 Microswitch limit	2 Microswitches limit	1 Microswitch limit
Art. code	S.040.01	S.040.00	S.040.03
Price £	58.12	60.82	63.52

#### Art. R.232 - Differential flow switch for the safety functioning of circulating pump type SFS "MUT".

Connections Ø	3/8" M. M.	1/4" M. M.	1/4" M. M.
Complete with	2 Microswitches	1 Microswitch	2 Microswitches
Art. code	R.232.08	R.232.00	R.232.02
Price £	51.45	48.74	51.45

#### Art. R.233 - Differential flow switch "FUGAS".

Art. code	Connections	Price £
R.233.00	Angle - 1/4"M. x 1/4"M. with microswitch	29.68
R.233.03	1/2"M. x 1/2"M with cone connection 1/4"M. With 2 microswitches	39.71

### Magnetic flow switches

CALEFFI



Art. R.120.01



Art. R.121.90

#### Art. R.120.01 - "CALEFFI" Magnetically-controlled flow switch for boilers.

230 V - 0.02 A - PN 6 bar - Connection 1/2" M. - Normally open contacts.

Quantity ≥	1	5
Price £	37.33	35.55

#### Art. R.121.90 - "CALEFFI" flow switch mechanism with magnetic control.

230 V - 0.02 A - PN 6 bar - Conn. 3/4" F. swivel - Normally open contacts.

Quantity ≥	1	5
Price £	39.90	38.00

### Rotary and Hall effect flow switches

CALEFFI



Art. R.118



#### Art. R.118 - Rotating flow switch "CALEFFI" made of brass for boilers, 1/2" M x 1/2" M.

*Electric Connection MOLEX*

Art. code	Connections	Price/Quantity ≥	
		1	5
R.118.02	Straight	16.23	15.72
R.118.52	Angle	27.19	26.67

#### Art. R.122.11 - Rotating "HONEYWELL" flow switch type C7195A2001 for boilers.

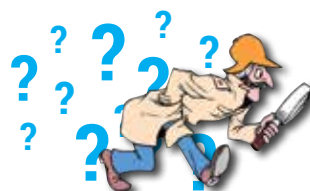
Connection MOLEX. Connection 1/2" M. x 1/2" M. It is interchangeable and can substitute model C7195A1011.

Quantity ≥	1	5
Price £	25.81	25.00

HONEYWELL



Art. R.122.11



For product information, you can send us messages and photos via **WhatsApp**.

+44 1227 458 684

We do not provide product information over the phone. Checking spare part compatibility is a free service to assist the customer with their purchase. We accept no responsibility if the indicated product does not match.



Art. R.318.02



Art. R.319.02

Price  
£ 6.75

**Art. R.318.02 – Domestic flow switch for boilers.**

Hydraulic connections: 1/2" M. x 1/2" F. swivel. Electric connection: Faston M. 6.3 x 0.8. Compatible: Baxi, DemirDöküm, Ferroli, Saunier Duval.

Price £ 6.75

**Art. R.319.02 – Domestic flow switch for boilers.**

Hydraulic connections: 1/2" M. x 1/2" M. Electrical connections: Faston M. 6.3 x 0.8. Compatible: Ariston, Baxi, Chaffoteaux, Baltur, Beretta, Riello, Vokera, Sylber, Hermann, Saunier Duval, DemirDöküm, Ferroli, Lamborghini, Joannes, Fondital, Immergas, Sant'Andrea, Unical.

Price £ 5.72



Art. R.320.04



Art. R.321.01

ELTEK

**Art. R.320.04 – Universal domestic flow switch for boilers with supply connection 1/4" M.**

Hydraulic connections: 1/2" M. x 1/2" M. Electrical connections: Faston M. 6.3 x 0.8. Compatible: Baxi, Beretta, Riello, Vokera, Sylber, Ferroli, Fondital, Immergas, Unical.

Price £ 8.75

**Art. R.321.01 - Etek domestic flow switch for boilers. Compatible FERROLI, LAMBORGHINI, EURO THERM, UNICAL.**

Connections: 1/2" M. x 1/2" M. – Electrical connections: Rast 2.5. Compatible: Ferroli: (rif. 39846130) Diva, Econcept tech, Econcept top, Econcept IN, Ferdigit, Fersystem Tech, Fersystem Box, NE Fluss. Lamborghini: Z304557750 – Unical. Various models and brands.

Price £ 11.38

**Art. R.326.01 - Eltek domestic flow switch for boilers.**

Hydraulic connections: 1/2" M. x 1/2" M. Electrical connections: Rast 2.5. - Compatible: Beretta (rif. 20013968): Exclusive Green, My Smart, Paros, Riello, Vokera: (rif. 4366981) Family KIS, Family Condens, Family FC. Baxi: (rif. 766865800), Ferroli: (rif. 39846130), Bluehelix, Twist.

Price £ 10.87



Art. R.326.01

**FREE DELIVERY**  
for orders  
over **680 £**



Contact us for  
any information:  
[uk@antaresint.com](mailto:uk@antaresint.com)

**Customised flow switches of various brands**

**Ariston - Chaffoteaux**



Price  
£ 7.70

Art. R.303.00



Art. R.304.00

Price  
£ 8.11

**Art. R.303.00 – Flow switches for boilers ARISTON, CHAFFOTEUX and other brands and models.**

Ariston: Next Evo, SFT 16 EU (ref. 65158402) - Chaffoteaux: Fluendo, Avenir, Outdoor, Evo.

Price £ 7.70

**Art. R.304.00 – Flow switches for boilers ARISTON, CHAFFOTEUX and other brands and models.**

Ariston: Scaldino (ref. 65153811) – Next Evo X

Price £ 8.11



Art. R.305.00



Art. R.307.00

**Art. R.305.00 – Flow switches for boilers ARISTON, CHAFFOTEUX, BOSCH, BUDERUS, WORCESTER and other brands and models.**

Ariston: Fast Premium (rif. 65111077) - Chaffoteaux: Fluendo

Price £ 7.90

**Art. R.307.00 – Compatible flow switches for boilers ARISTON, CHAFFOTEUX and other brands.**

Ariston: Fast Evo Ont B 11 L/11 L G30/G31/14 L NG/B14 L G30/G31/16 L NG/16 L G30/G31 (ref. 65153522).

Price £ 9.16



Art. R.319.02

Visit our  
**WEBSITE**



[www.antaresint.com](http://www.antaresint.com)

**Art. R.319.02 – Domestic flow switches for boilers.**

Hydraulic connections: 1/2" M. x 1/2" M. Electrical connections: Faston M. 6.3 x 0.8. Compatible: Ariston, Baxi, Chaffoteaux, Baltur, Beretta, Riello, Vokera, Sylber, Hermann, Saunier Duval, DemirDöküm, Ferroli, Lamborghini, Joannes, Fondital, Immergas, Sant'Andrea, Unical. Compatible: Ariston: Modula, Next, One, T2

Price £ 5.72

**Baxi**



Art. R.319.02

Price  
£ 5.72



Art. R.320.04

**Art. R.319.02 – Domestic flow switches for boilers.**

Hydraulic connections: 1/2" M. x 1/2" M. Electrical connections: Faston M. 6.3 x 0.8. Compatible: Ariston, Baxi, Chaffoteaux, Baltur, Beretta, Riello, Vokera, Sylber, Hermann, Saunier Duval, DemirDöküm, Ferroli, Lamborghini, Joannes, Fondital, Immergas, Sant'Andrea, Unical. Compatible with Baxi: Ref. JJJ005667220.

Price £ 5.72

**Art. R.320.04 – Universal domestic flow switch for boilers with charge connection 1/4" M.**

Hydraulic connections: 1/2" M. x 1/2" M. Electrical connections: Faston M. 6.3 x 0.8. Compatible: Baxi (rif. JJJ005663770) Beretta, Riello, Vokera, Sylber, Ferroli, Fondital, Immergas, Unical

Price £ 8.75

ELTEK



Art. R.326.01



Art. R.326.01 – Eltek domestic flow switch compatible for boilers BAXI.

Hydraulic connections: 1/2" M. x 1/2" M. Electrical connections: Rast 2.5. Compatible: Baxi: (Ref. 766865800).

Price £ 10.87



Art. R.329.02



Art. R.328.02

Art. R.328.02 – Domestic flow switch compatible for boilers BAXI, ROCA Laura.

Without brass fittings to be re-used. Ref.: 122280010

Price £ 9.85

Art. R.329.02 – Domestic flow switch compatible for boilers BAXI (Ref.: 410073022).

Price £ 10.21

Beretta - Vokera - Riello - Sylber



Art. R.380.02



Art. R.319.02

Art. R.380.02 – Domestic flow switch compatible BERETTA, VOKERA, RIELLO, SYLBER.

Compatible: Super Exclusive, Minute Rain Green, Meteo

Price £ 13.00

Art. R.319.02 – Domestic flow switches for boilers.

Hydraulic connections: 1/2" M. x 1/2" M. Electrical connections: Faston M. 6.3 x 0.8. Compatible: Ariston, Baxi, Chaffoteaux, Baltur, Beretta, Riello, Vokera, Sylber, Hermann, Saunier Duval, DemirDöküm, Ferrol, Lamborghini, Joannes, Fondital, Immergas, Sant'Andrea, Unical. Compatible: Ariston: Modula, Next, One, T2

Price £ 5.72

Art. R.320.04 – Universal domestic flow switch for boilers with charge connection 1/4" M.

Hydraulic connections: 1/2" M. x 1/2" M. Electrical connections: Faston M. 6.3 x 0.8. Compatible: Baxi (rif. JJ005663770) Beretta, Riello, Vokera, Sylber, Ferrol, Fondital, Immergas, Unical

Price £ 8.75

Art. R.326.01 - Eltek sanitary flow switch compatible with BERETTA, RIELLO, VOKERA, SYLBER. Ref. R10022752.

Hydraulic connections: 1/2" M. x 1/2" M. Electrical connections: 2.5 mm snap-in. Compatible with Beretta: Exclusive, MySmart, Paros. Compatible with Riello: Family. Various brands and models.

Price £ 10.87



Art. R.320.04



Art. R.326.01

Bosch - Buderus - Worcester



Art. R.305.00



Art. R.385.00

Art. R.305.00 - Domestic flow switch compatible BOSCH, BUDERUS, WORCESTER, ARISTON, CHAFFOTEAUX.

Compatible: BOSCH: Hydrocompact, cesius Therm, Greenstar. (Ref. 8738720800 - 8717002132 - 87161157540 - 87161072230)

Price £ 7.90

Art. R.385.00 - Domestic flow switch compatible BOSCH, JUNKERS, BUDERUS, WORCESTER. (Ref. 8719905144 - 87199051440 - 87161461640), DEMIRDÖKÜM e ECA

Price £ 8.11



Art. R.386.00



For the safety of your profession, ANTARES sells exclusively to companies registered in the Chamber of Commerce

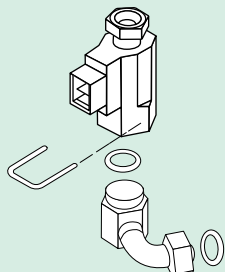
Art. R.386.00 – Domestic flow switch Bitron compatible BOSCH, JUNKERS, BUDERUS, WORCESTER. (Ref. 8707406130).

Price £ 17.54

BSG - Savio - Biasi



Art. R.388.00



Art. R.388.00 – Domestic flow switch without angle fitting, compatible for boilers BSG, SAVIO, BIASI, (ref. BI1412119) SAUNIER DUVAL, HERMANN.

Electrical connections: Faston M. 6.3 x 0.8. Hydraulic connections: nozzle. F. 1/2" and quick connections Ø 23. Compatible Savio (ref. BI1412119) Compatible Hermann, Saunier Duval – Opalia (ref.0020099195).

Price £ 9.48

## Chaffoteaux - Ariston



Art. R.303.00



Art. R.304.00

Art. R.303.00 – Flow switches for boilers ARISTON, CHAFFOTEAUX and other brands and models.

Ariston: Next Evo, SFT 16 EU (ref. 65158402) - Chaffoteaux: Fluendo, Avenir, Outdoor, Evo.

Price £ 7.70

Art. R.304.00 – Flow switches for boilers ARISTON, CHAFFOTEAUX and other brands and models.

Ariston: Scaldino (ref. 65153811) – Next Evo X.

Price £ 8.11

Art. R.305.00 - Flow switches for boilers and water heaters CHAFFOTEAUX, ARISTON and other brands and models.

Ariston: Fast Premium (Ref. 65111077) - Chaffoteaux: Fluendo.

Price £ 7.90

Art. R.307.00 – Compatible flow switches for boilers ARISTON, CHAFFOTEAUX and other brands.

Ariston: Fast Evo Ont B 11 L/11 L G30/G31/14 L NG/B14 L G30/G31/16 L NG/16 L G30/G31 (ref. 65153522).

Price £ 9.16



Art. R.305.00



Art. R.307.00

## DemirDöküm - Eca



Art. R.390.00



Art. R.385.00

Art. R.390.00 – Domestic flow switch compatible for boilers DEMIRDÖKÜM, GLOW-WORM, PROTHERM, SAUNIER DUVAL, VAILLANT (type VMW).

Price £ 8.01

Art. R.385.00 - Domestic flow switch compatible with ECA, DEMIRDÖKÜM, BOSCH, BUDERUS, WORCESTER.

Price £ 8.11

## Ferrolì



Art. R.319.02



Art. R.320.04

Art. R.319.02 – Domestic flow switch for boilers.

Hydraulic Connections: 1/2" M. x 1/2" M. Electrical connections: Faston M. 6.3 x 0.8. Compatible: Ariston, Baxi, Chaffoteaux, Baltur, Beretta, Riello, Vokera, Sylber, Hermann, Saunier Duval, DemirDöküm, Ferrolì, Lamborghini, Joannes, Fondital, Immergas, Sant'Andrea, Unical. Compatible mit Ferrolì: (Ref. 39818552) Atlas, Diva, Domi, Easy, Fercondens, Fereasy, Fertech, Ferellazip, River, Sky Surf, Supreme.

Price £ 5.72

Art. R.320.04 – Universal domestic flow switch for boilers with supply connection 1/4" M.

Hydraulic Connections: 1/2" M. x 1/2" M. Electrical connections: Faston M. 6.3 x 0.8. Compatible mit: Baxi, Beretta, Riello, Vokera, Sylber, Ferrolì, Fondital, Immergas, Unical.

Price £ 8.75



Art. R.321.01



Art. R.322.01

Art. R.321.01 - Eltek domestic flow switch for boilers. Compatible FERROLI, LAMBORGHINI, EUROTERM, UNICAL.

Connections: 1/2" M. x 1/2" M. - Electrical connections: Rast 2.5. Compatible with: Ferrolì: (Ref. 39846130) Diva, Econcept tech, Econcept top, Econcept IN, Ferdigit, Fersystem Tech, Fersystem Box, NE Fluss. Lamborghini: Z304557750 – Unical.

Price £ 11.38

Art. R.322.01 – Eltek domestic flow switch for boilers compatible FERROLI and other brands.

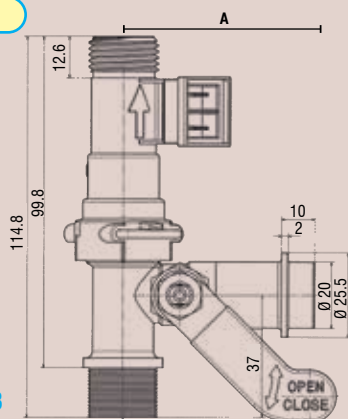
Connections: 1/2" M. x quick connections. Compatible: Ferrolì: (ref. 39846889 ex 39836700) Divatop, Econcept tech, Econcept top, Ferdigit micro, Fersystem Tech, Fersystem top. Various models and brands.

Price £ 11.38

## FERROLI and others



Art. R.323



Art. R.323 - Flow switch with "T" filling tap for FERROLI - EUROTERM - LAMBORGHINI boilers.

Connections: 1/2" M. x quick connections Ø20 X 1/2" M.

Art. code	Lenght mm. dim. "A"	Reference	Price £
R.323.00	57.5	39818280 (ex 398D3630)	18.89
R.323.01	43	39819560	18.89



Art. R.324.01

**FREE DELIVERY**  
for orders  
over 680€

Contact us for any  
information:  
uk@antaresint.com



Art. R.324.01 - Angle flowmeter for FERROLI boilers Domina Series.

Price £ 27.34

## Fondital



Art. R.319.02



Art. R.320.04

Art. R.319.02 – Domestic flow switch for boilers.

Hydraulic connections: 1/2" M. x 1/2" M. Electrical connections: Faston M. 6.3 x 0.8. Compatible: Ariston, Baxi, Chaffoteaux, Baltur, Beretta, Riello, Vokera, Sylber, Hermann, Saunier Duval, DemirDöküm, Ferrol, Lamborghini, Joannes, Fondital, Immergas, Sant'Andrea, Unical. Compatible Fondital: Aries, Flores, Libra, Menorca, Nibir, Pictor, Tahiti.

Price £ 5.72

Art. R.320.04 – Universal domestic flow switch for boilers with supply connection 1/4" M.

Hydraulic connections: 1/2" M. x 1/2" M. Electrical connections: Faston M. 6.3 x 0.8. Compatible: Baxi, Beretta, Riello, Vokera, Sylber, Ferrol, Fondital, Immergas, Unical.

Price £ 8.75

Art. R.393.02 – Domestic flow switch for boilers FONDITAL and other brands.

Connections: 1/2" M. x 1/2" M. Compatible Fondital: Pictor Condensing, Tahiti Condensing. Various brands and models.

Price £ 8.01



Art. R.393.02

Visit our  
WEBSITE



www.antaresint.com

## Glow - Worm



Art. R.390.00

For product information, you can send us  
messages and photos via **WhatsApp**.



+44 1227 458 684

We do not provide product information over the phone. Checking spare part compatibility is a free service to assist the customer with their purchase. We accept no responsibility if the indicated product does not match.

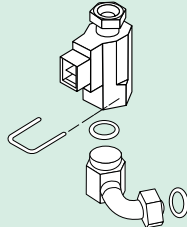
Art. R.390.00 - Domestic flow switch compatible for boilers DEMIRDÖKÜM, GLOW-WORM, PROTHERM, SAUNIER DUVAL, VAILLANT (type VMW).

Price £ 8.01

## Hermann - Saunier Duval



Art. R.388.00



Art. R.388.00 - Domestic flow switch without angle fitting, compatible for boilers BSG, SAVIO, BIASI, (ref. BI1412119) SAUNIER DUVAL, HERMANN.

Electrical connections: Faston M. 6.3 x 0.8.  
Hydraulic connections: nozzle. F. 1/2" and quick connections Ø 23.  
Compatible Savio (ref. BI11412119)  
Compatible Hermann, Saunier Duval – Opalia (ref.0020099195).

Price £ 9.48



Art. R.319.02



Art. R.390.00

Price  
£ 7.65

Art. R.319.02 - Domestic flow switch for boilers.

Hydraulic connections : 1/2" M. x 1/2" M. Electrical connections: Faston M. 6.3 x 0.8. Compatible: Ariston, Baxi, Chaffoteaux, Baltur, Beretta, Riello, Vokera, Sylber, Hermann, Saunier Duval, DemirDöküm, Ferrol, Lamborghini, Joannes, Fondital, Immergas, Sant'Andrea, Unical. Compatible mit Saunier Duval (Ref. Opalia 0020099302).

Price £ 5.72

Art. R.390.00 - Domestic flow switch compatible for boilers DEMIRDÖKÜM, GLOW-WORM, PROTHERM, SAUNIER DUVAL, VAILLANT (type VMW).

Price £ 8.01

## Immergas



Art. R.319.02



Art. R.320.04



Art. R.395.02

Art. R.319.02 – Domestic flow switch for boilers.

Hydraulic connections : 1/2" M. x 1/2" M. Electrical connections: Faston M. 6.3 x 0.8. Compatible: Ariston, Baxi, Chaffoteaux, Baltur, Beretta, Riello, Vokera, Sylber, Hermann, Saunier Duval, DemirDöküm, Ferrol, Lamborghini, Joannes, Fondital, Immergas, Sant'Andrea, Unical.

Price £ 5.72

Art. R.320.04 – Universal domestic flow switch for boilers with supply connection 1/4" M.

Hydraulic connections : 1/2" M. x 1/2" M. Electrical connections: Faston M. 6.3 x 0.8. Compatible: Baxi, Beretta, Riello, Vokera, Sylber, Ferrol, Fondital, Immergas, Unical. Compatible Immergas (Ref. 1023514 - 1023015) Eolo, victrix, Extra Intra, Nike, other models.

Price £ 8.75

Art. R.395.02 – Domestic flow switch compatible for boilers IMMERGAS (ref. 1035365).

Boilers: Eolo, Eolo Extra; Extra Intra; Maior Eolo, Maior Nike, Mini Eolo, Mini Nike, Victrix.

Price £ 11.80

For unavailable models or products that you cannot find  
**PLEASE CONTACT US**

@ uk@antaresint.com



TELEPHONE AND WHATSAPP  
+44 1227 458 684

## Unical



Art. R.304.00



Art. R.320.04

Art. R.304.00 – Flow switches for boilers ARISTON, CHAFFOTEUX and other brands and models.

Ariston: Scaldino (ref. 65153811) – Next Evo X - Unical: Idronik TS1395263143

Price £ 8.11

Art. R.320.04 – Universal domestic flow switch for boilers with supply connection 1/4" M.

Hydraulic connections: 1/2" M. x 1/2" M. Electrical connections: Faston M. 6.3 x 0.8. Compatible: Baxi, Beretta, Riello, Vokera, Sylber, Ferroli, Fondital, Immergas, Unical. Unical-Compatible: (Ref. 95000690) - Alkon Inc, Enel SI, Eve 05, Evelin.

Price £ 8.75

## Vaillant



Art. R.390.00



Art. R.397.00

Art. R.390.00 – Domestic flow switch compatible for boilers DEMIRDÖKÜM, GLOW-WORM, PROTHERM, SAUNIER DUVAL, VAILLANT (type VMW).

Price £ 8.01

Art. R.397.00 – Domestic flow switch for boilers compatible VAILLANT (Ref. 0020184360).

References: MAG, BETeV, various models.

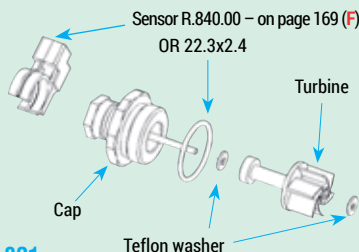
Price £ 8.11

## Turbine and cartridge for flow meters

KRAMER - DEMIRDÖKÜM - GLOW-WORM - SIME



Art. R.821



Art. R.821 – KRAMER flowmeter and turbine group compatible DEMIRDÖKÜM, GLOW-WORM, SANT'ANDREA, SAVIO-BIASI, SIME, TATA, and other brands.

Compatible SAVIO-BIASI Ref. B11621104.

Compatible GLOW-WORM Ref. 0020118178.

Compatible SIME Ref. 6319651 (ex 6319644) boiler Brava One, Murelle, Open Solar

Art. code	R.821.01	R.821.02
Model	Complete with sensor with connector RAST 2.5	Body only
Price £	9.24	4.87



Art. R.826.00



Art. R.828.00

Art. R.826.00 – Flowmeter and turbine group complete of sensor and connection cable with connector JST-SM.

Price £ 4.56

Art. R.828.00 – Flowmeter and turbine group complete of sensor and connection cable to connector JST-SM. Compatible KRAMER, DEMIRDÖKÜM, GLOW-WORM, SIME and other brands.

Price £ 6.12

## Domestic hot water cartridges



Art. R.350.00

ARISTON - CHAFFOTEUX



Art. R.352.00

Art. R.350.00 – BITRON domestic hot water cartridge with filter and check valve for ARISTON – MTS boilers. Ref. 480020014601. Art.Number: BITRON.

Price £ 3.36

Art. R.352.00 – Domestic hot water cartridge with regulator set for 8, 10, and 12 liters for boilers ARISTON - CHAFFOTEUX. Art. Number 65104317 - 60000870.

Ref. 460070001601.

Price £ 12.88



Art. R.354

BAXI - SIME



Art. R.356

Art. R.354.00 – BITRON domestic hot water cartridge with filter and turbine for ARISTON – MTS boilers.

Art. code	Filter Type	Ref. ARISTON	Ref. REMEHA	Price £
R.354.00	A	4600700001601	7633305	8.28
R.354.01	C	-	-	7.81

Art. R.356 – BITRON d.h.w. cartridge with flowmeter for BAXI – SIME boilers.

Ref. BAXI: 710048100 - Ref. SIME: 6319633

Art. code	Flow rate lt	Price £
R.356.10	10	6.36
R.356.14	14	6.36
R.356.16	16	6.36

**BAXI - SIME**

Art. R.357.00

**BAXI**

Art. R.358.00

**Art. R.357.00 – Domesyic cartridge BITRON for boilers BAXI, SIME with filter**

Art. code	Model	Lt.	Ref. Baxi	Ref. Sime	Price £
R.357.00	Without controller 20491400	-	-	-	6.13
R.357.08	With Turbine 20491401	8	710682201	-	6.40
R.357.10	With Turbine 204491402	10	7213867	-	6.72
R.357.12	With Turbine 204491403	12	7214320	-	6.65
R.357.14	With Turbine 204491404	14	710048100	6319633	6.73
R.357.16	With Turbine 204491405	16	710048100	6319633	6.40

**BAXI**

Art. R.359.00

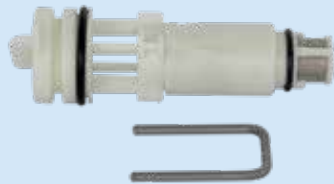
**BOSCH**

Art. R.360

**Art. R.359.00 – Domestic cartridge BITRON with filter and turbine for boilers BAXI.**

Ref. 710048301 - 720874001.

Price £ 3.25

**BOSCH**

Art. R.362

**FERROLI**

Art. R.364.00

**Art. R.360 – BITRON domestic cartridge with filter for BOSCH boilers.**

Compatible: Star Condens, Duo Tec, Luna Duo, Pulsar. Ref. 710682200.

Price £ 6.16

**Art. R.362 – BITRON domestic cartridge type DCV for BOSCH boilers.**

Ref.: 8718649622.

Art. code	Flow rate lt	Price £
R.360.10	10	11.12
R.360.14	14	11.41

**Art. R.364 – BITRON domestic cartridge type DCV for FERROLI boilers.**

Art. code	Flow rate lt	Code Reference	Price £
R.362.10	10	8-718-645-684-0	14.67
R.362.14	14	8-718-645-685-0	14.89

**Art. R.364.00 – BITRON domestic cartridge for FERROLI boilers.**

(lt 10) - Ref. 39442620.

Price £ 14.73

**BSG**

Art. R.368.00

**FUGAS**

Art. R.370.00

**Art. R.368.00 – BITRON domestic cartridge for BSG boilers with filter.**

Ref. 14822.0178.0/0.

Price £ 7.02

**Art. R.370.00 - FUGAS domestic cartridge with turbine for boilers of various brands.**

Ref.: 10.0103.

Price £ 24.16

**Flow sensors****ARISTON**

Art. R.830.00

**BAXI**

Art. R.832.00

**Art. R.830.00 – BITRON flow sensor for ARISTON – MTS boilers. Ref. 460050006400.**

Ref. 460050006400.

Price £ 4.67

**Art. R.832.00 – BITRON flow sensor for BAXI boilers.**

BAXI Ref.: 710976601.

Price £ 4.59

**BAXI - BSG  
COSMOGAS**

Art. R.834.00

**BOSCH**

Art. R.836.00

**Art. R.834.00 – BITRON flow sensor for BAXI – BSG – COSMOGAS boilers.**

BAXI ref.: 95613201 – BSG ref.: 14064.1217.0/0 – COSMOGAS ref.: 62111038.

Price £ 5.17

**Art. R.836.00 – BITRON flow sensor for BOSCH boilers.**

BOSCH Ref.: 8718644578.

Price £ 4.47

**SIME**

Art. R.838.00

**KRAMER**

Art. R.840

**Art. R.838.00 – BITRON flow sensor for SIME boilers.**

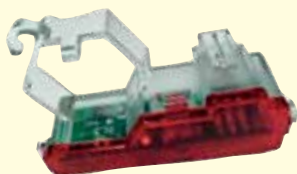
SIME Ref.: 6319601.

Price £ 5.17

**Art. R.840 – KRAMER flow sensor for boilers.**

Art. code	Color	Price £
R.840.00	Black	15.05
R.840.01	Red	15.05

## FUGAS - BAXI



Art. R.845



### Art. R.845 – Flow sensor FUGAS for boilers BAXI, ARGO, SAVIO BIASI and other brands.

Art. code	Cover	Type	Ref. manufacturer	Price £
R.845.00	Red	10.0300	BAXI: 8435380 SAVIO BIASI: 1271101 ARGO: 578435380	9.36
R.845.01	Transparent	10.0267	BAXI: 8435280	9.12

## FUGAS - ARISTON



Art. R.850.00

Visit our  
**WEBSITE**



[www.antaesint.com](http://www.antaesint.com)

### Art. R.850.00 – Flow sensor FUGAS for boilers ARISTON, CHAFFOTEAUX, BAXI, ECOFLAM, SAVIO BIASI and other brands.

Compatible ARISTON: Ref. 999075. Kombi-, Microgenus-, MicRedec-, Mini- und Minicodex-Kessel, Modula, New Ermetica, New Mini, New Rugida, Next, One, Quick, Selecta, Switch. Compatible BAXI: JJJ008434650. Mond-Kessel, Aequator. Compatible SAVIO BIASI: Ref. B11091104.

Price £ 14.15

## Spare diaphragms for boilers and water heaters



Art. R.600.67  
Beretta/Vokera - Riello



Art. R.600.69  
Beretta/Vokera - Riello



Art. R.600.70  
Beretta/Vokera - Riello



Art. R.600.81  
Beretta/Vokera - Riello



Art. R.600.58 - Chaffoteaux  
Mut Pression differential S.040-R.232



Art. R.600.65 - Chaffoteaux



Art. R.600.49 - Elm Leblanc



Art. R.600.54 - Elm Leblanc



Art. R.600.11 - Fugas



Art. R.600.30 - Immergas



Art. R.600.32 - Immergas



Art. R.600.78 - Immergas



Art. R.600.07 - Junkers-Bosch



Art. R.600.31 - Ocean



Art. R.600.83 - Ocean



Art. R.600.10 - Riello



Art. R.600.60 - Saunier Duval



Art. R.600.15 - Vaillant



Art. R.600.66 - Vaillant



Art. R.600.71 - Vaillant

**FREE DELIVERY**  
for orders  
over 680€



Art. R.600.72 - Vaillant



Art. R.600.75 - Vaillant

**GIANNONI**



Art. R.238

See on page 156 (F)

**MUT**



Art. R.248.00

See on page 157 (F)

For further information, please contact our **Customer Service**



Telephone and WhatsApp  
**+44 1227 458 684**



[uk@antaesint.com](mailto:uk@antaesint.com)

### Art. R.600 - Pack of 10 spare diaphragms for water heaters and boilers.

Model	Beretta/Vokera Riello	Beretta/Vokera Riello	Beretta/Vokera Riello	Beretta/Vokera Riello	Chaffoteaux Mut P. differential	Chaffoteaux et Maury	Elm Leblanc	Elm Leblanc	Fugas	Immergas	Immergas
Ø ext. mm	45	45	80	81	56	90	75	52	45	70	65
Reference	Wall boilers Ref. 4298	Ref. 0557	Wall boilers Ref. 6882	Wall boilers	For water group units Ref. 1901610	Boilers Multi 20 Ref. 8101600	9 Holes	Boiler Type LM 26	Several makers	-	-
Art. code	R.600.67	R.600.69	R.600.70	R.600.81	R.600.58	R.600.65	R.600.49	R.600.54	R.600.11	R.600.30	R.600.32
Price £	16.07	14.84	14.84	15.12	21.70	14.84	3.66	2.69	20.58	14.84	14.84
Model	Immergas	Junkers Bosch	Ocean	Ocean	Riello	Saunier Duval	Vaillant	Vaillant	Vaillant	Vaillant	Vaillant
Ø ext. mm	78	50	45	83	78	65	70	70	58	85	75
Reference	Wall boilers	Water heaters Triplex	-	Luna	-	Renova Ref. 54570	Water heaters lt. 10 Ref. 010334	Wall boilers Ref. 010318	Water heaters MM. 275 (9TH / 9TZ)	-	Ref. 010337
Art. code	R.600.78	R.600.07	R.600.31	R.600.83	R.600.10	R.600.60	R.600.15	R.600.66	R.600.71	R.600.72	R.600.75
Price £	14.84	14.84	14.84	15.27	14.84	6.04	14.84	14.84	14.84	14.84	14.84

## Filler valves for boilers

### Standard filling taps

With extendible knob

47mm



Telescopic



Art. R.800.45

ARISTON

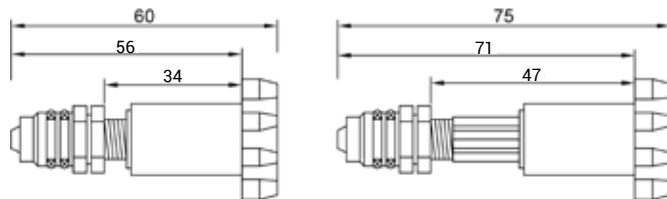
BAXI

CMI

SIME

ECOFLAM

And others



Art. R.800.45 – Filling valve for boilers various brands with extendible knob upto 45 mm, O-ring seal quick connection.

Compatible : Baxi / Ariston / CMI /Sime/ Ecoflam and other brands.

Quantity ≥	1	5
Price £	4.63	4.40



Big knob



Conic knob



Big knob



Conic knob

Art. R.805

13mm H shutter movement

Art. R.807

21mm H shutter movement

Art. R.805. – Standard boiler filling valve O-ring seal with coned knob and round. Threaded connection M12x1.

Operating height 13 mm.

Art. code	Length actuator rod mm.	Knob type	Compatible	Price £/Quantity ≥	
				1	5
R.805.37	37	conical	Many brands	5.75	5.52
R.805.07	37	large	Many brands	5.75	5.52
R.805.38	38	large	Many brands	6.33	5.75
R.805.53	45	conical	Many brands	4.34	4.13
R.805.63	63	conical	Many brands	6.64	6.31
R.805.03	63	large	Many brands	6.63	6.30
R.805.92	92	conical	Many brands	6.21	5.89
R.805.02	92	large	IMMERGAS and other brands	7.12	6.76

Art. R.807. – Standard boiler filling valve O-ring seal with coned knob and round. Threaded connection M12x1.

Working height 21 mm.

Art. code	Length actuator rod mm.	Knob type	Compatible	Price £/Quantity ≥	
				1	5
R.807.50	50	Large	IMMERGAS FONDITAL UNICAL and others	5.70	5.40
R.807.51	50	Conical	And other brands	5.70	5.40
R.807.80	80	Large	IMMERGAS and other brands	7.04	6.41
R.807.81	80	Conical	Various brands	5.89	5.37

Art. R.787.00 - Controller for boilers with hydraulic group BAXI M14 X 1.

Price £ 5.45

Art. R.788.00 - Filling valve for BAXI boilers

Reference 766818101 - 766818101 B.

Price £ 5.77

Art. R.770.01 – Boiler filling valve, T-type, with extended branch and seals. Compatible with Ferrolli – Euroterm – Lamborghini and other brands.

Connections: 1/2" male x Ø20 quick-connect x fork connection with O-ring. Branch type A: elongated, 57.5 mm – Ref.: 39818280.

Price £ 12.45

Art. R.772.01 – Filling valve for FERROLI boilers.

With threaded connection.

Price £ 5.19

### Custom-made filling taps

#### BAXI



Art. R.787.00



Art. R.788.00

#### FERROLI



Art. R.770.01



For models with coupled flow switch see Art. R.323 on page 166(F).



Art. R.772.01



Art. R.773.01

### Ferroli - Dom. Insert



Art. R.779.02

Art. R.773.01 – Filling valve for FERROLI boilers.  
with forked connection and o-ring.

Price £ 5.75

Art. R.779.02 – Filling valve for FERROLI - FER boilers Series DOMITOP – INSERT.  
Price £ 15.66

### Ferroli - Domina



Art. R.780.01

### Ferroli - Domitop



Art. R.781.00

Art. R.780.01 – Filling valve group for boilers FERROLI Series DOMINA.  
Price £ 17.42

Art. R.781.00 – Filling valve group for boilers FERROLI Series DOMITOP.  
Price £ 21.11

### FUGAS

#### Fugas



Art. R.785.00

### ANTARES

The proven choice  
for over 30 years.



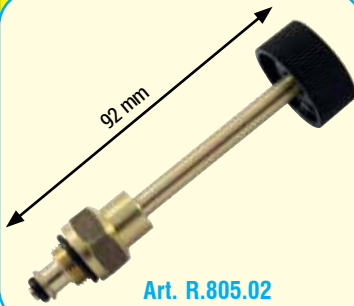
Art. R.785.00 - Filling valve for boilers with hydraulic group FUGAS. M. 12 X 1.  
Compatible BAXI.

Price £ 5.45

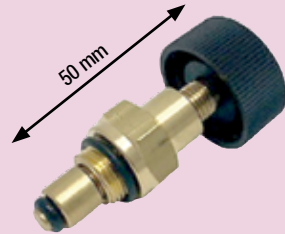
Art. R.805.02 – Boiler filling valve with two O-rings with large knob, with threaded  
connections M12 x 1, and with shutter rod 92 mm. Compatible: IMMERGAS and others.  
Compatible: IMMERGAS and other brands.

Price £ 7.12

### IMMERGAS



Art. R.805.02



Art. R.807.50

Art. R.807.50 – Boiler filling valve with two O-rings with large knob, with threaded  
connections M12 x 1, and with shutter rod 50 mm.

Compatible: IMMERGAS (ref. 1023540) UNICAL (ref. Duaplus 95250843)  
FONDITAL and others.

Price £ 5.70

Art. R.807.80 – Boiler filling valve with two O-rings with large knob, with threaded  
connections M12 x 1, and with shutter rod 80 mm

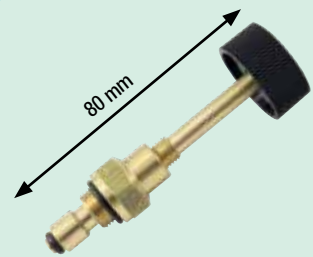
Compatible: IMMERGAS (ref. 1023540) and others.

Price £ 7.04

Art. R.808.00 – Watertight boiler filling connector with O-ring, 1/2" thread connection,  
and 82 mm shutter rod.

Compatible: IMMERGAS; NIKE SUPERIOR - NIKE MAIOR - ZEUS SUPERIOR -  
ZEUS MAIOR - EOLO MAIOR - EOLO SUPERIOR (ref. 34639) and other brands.

Price £ 12.87



Art. R.807.80



Art. R.808.00

Art. R.809.00 – Watertight boiler filling valve with two O-rings – fork connection with  
O-ring and 80 mm shutter rod. Equipped with a control knob.

Compatible: IMMERGAS Grundfos-Gruppe (Ref. 3.022615) and other brands.

Price £ 8.16



Art. R.809.00

**N.B.**

For other support  
heights, see page  
171(F).



**Our customer service  
is always available  
for further information.**

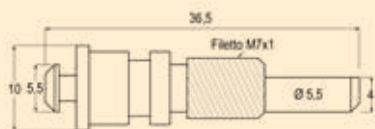
@ uk@antaresint.com

Telephone and WhatsApp  
+44 1227 458 684

## SAVIO



Art. R.812.00



## VAILLANT



Vaillant

Replaces  
the old models



Art. R.786.01



## Filling solenoid valves for boilers



HERMANN

VAILANT

Art. H.522.42

Art. R.812.00 – Boiler filling valve SAVIO – BSG.

Price £ 8.07

Art. R.786.01 - Boiler filling valve VAILLANT Series PRO - PLUS - TURBO PLUS - FCO BLOCK - ACQUABLOCK.

Price £ 5.52

## Boiler draining valves

ARISTON

BAXI

CHAFFOTEAUX

REMEHA

SIME



Art. R.820.00

Art. H.522.42 - Supply solenoid valve compatible for HERMANN boilers.

Price £ 15.72

Art. R.820.00 – BITRON draining valve for boilers

BAXI Ref.: 710045500 - 710045501 - SIME Ref.: 6319603 - REMEHA INTERPART Ref.: 720873401 - CHAFFOTEAUX - ARISTON Ref.: 580070013400.

Price £ 1.48

## Automatic filling chargers for boilers

RIELLO  
BERETTA

SIME



Art. R.281.14

SIME

BAXI



Art. R.283.07

Art. R.281.14 –BITRON automatic filling charger for RIELLO – BERETTA – SIME and other boilers.

Reference number RIELLO - BERETTA - SIME: 10029596.

Price £ 18.49

Art. R.283.07 – BITRON automatic filling charger for BAXI – SIME and other boilers.

Code of reference BAXI: 710793200.

Code of reference SIME: 6098420.

Price £ 18.63



Art. R.285.00



For the safety of your profession, **ANTARES** sells exclusively to companies registered in the Chamber of Commerce

Art. R.285.00 –BITRON automatic filling charger for boilers ARISTON - CHAFFOTEAUX.

Reference: 480040007400

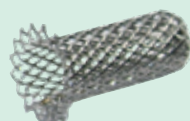
Price £ 8.12

## Filters for boiler components

BAXI



Art. R.795.00



Art. R.798.00

Art. R.795.00 – Heating filter for boilers Baxi.

Reference 710047100 - 710047101

Price £ 1.65

Art. R.798.00 - Pack of 5 insert filters for heating boiler components.

Made of stainless steel mesh with a rim - Size: 9 x 25 mm

Price £ 3.53



Art. R.799

Art. R.799 - Pack of 5 insert filters for boiler components.

Made of plastic with a rim.

Art. code	Measures mm.	Price £
R.799.14	9 x 14	9.59
R.799.20	9 x 20	9.59

## Capillary thermostats



Art. R.124.15



Art. R.126.15

Art. R.124.15 - Adjustable boiler thermostat with capillary bulb diameter 6.5 mm.

Capillary lenght 1.5 mt - with knob - Range 0°- 90°C - Switch contacts 15 A.

Quantity ≥	1	10
Price £	6.87	6.17

Art. R.126.15 - Thermostat with capillary bulb with pre-set range and screwdriver adjustment. Capillary Length 1.5 m.

Range 0°- 90°C - Bulb Ø 6.5 mm - Switch contacts 15 A.

Quantity ≥	1	10
Price £	7.80	7.37



Art. R.128.15



Art. R.129

Art. R.128 - Stop thermostat with manual reset with capillary bulb.

Capillary lenght 1.5 m. Set safety temperature 100 °C - Ø Bulb 6.5 mm.

Quantity ≥	1	10
Price £	7.38	6.97

Art. R.129 - Thermostat with capillary bulb and fixed calibration.

Safety temperature 100°C. - Gold-plated contacts for thermocouple interception.

Art. code	Compatible with	Intervention temperature	Golden contacts	Capillary Length	Bulb Length	Price £
R.129.10	FERROLI	100 °C	SPDT	1.000 mm	85	10.62
R.129.50	ROCA	80 °C	SPDT	2.000 mm	110	9.58

## Bimetal disc thermostats



Horizontal Connections



R.198



Vertical Connections



Art. R.198 - Safety microthermostat for boiler with fixed range and rapid contact openings. With gold contacts.

Intervention temperature	130°C	130°C	120°C	120°C	120°C	120°C	110°C	105°C
Connections Faston	Horizontal Thread M.3 x 0.5		Horizontal 4.8 x 0.8 drilled		Horizontal Thread M.3 x 0.5		Horizontal 4.8 x 0.8 drilled	
Code	R.198.30		R.198.40		R.198.20		R.198.50	
Quantity ≥	1	10	1	10	1	10	1	10
Price £	1.66	1.30	1.66	1.30	1.66	1.30	1.66	1.30

Intervention temperature	100°C	95°C	90°C	85°C	85°C	80°C	75°C	63°C
Connections Faston	6.3 Vertical drilled		6.3 Vertical drilled		Horizontal Thread M.3 x 0.5		Horizontal 4 drilled	
Code	R.198.00		R.198.95		R.198.90		R.198.84	
Quantity ≥	1	10	1	10	1	10	1	10
Price £	1.66	1.30	1.66	1.30	1.66	1.30	1.66	1.30



Art. T.030.06



Art. T.030.40



Art. T.033

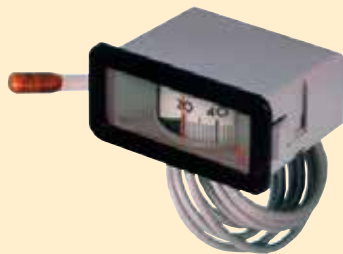
Art. T.030 - Disc-type microthermostat complete with fixing spring and fixed calibration - 10 A.

Art. code	Type	Calibration	Price £
T.030.06	Anti-freeze	Closes at 6°C - opens at 16°C.	4.32
T.030.40	Enable control for fan coil units	Closes at 42°C	4.44

Art. T.033 - Bimetallic microthermostat with 4 mm screw. With fixed adjustment temperature - 10 A

Art. code	N.C. contacts calibration	Price £
T.033.00	100 °C	3.19
T.033.10	110 °C	1.78
T.033.20	120 °C	1.78

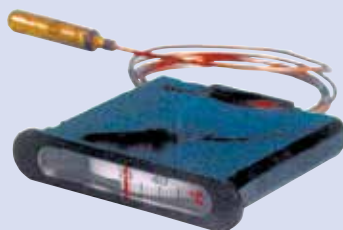
## Capillary thermometers and pressure gauges



Art. R.130.15



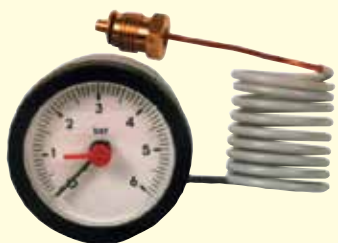
Art. R.131



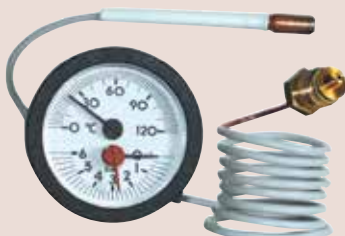
Art. R.132.10



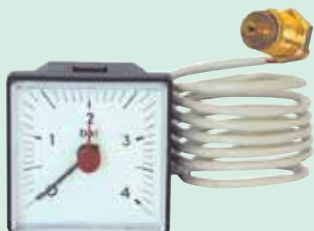
Art. R.134



Art. R.136



Art. R.137



Art. R.138



Art. R.139.02



Art. R.145.50



Art. R.146.60

FOR ANY MISSING CODE OR UNAVAILABLE PRODUCT  
PLEASE CONTACT US



Telephone and WhatsApp  
**+44 1227 458 684**

@ [uk@antaresint.com](mailto:uk@antaresint.com)

Art. R.145.50 - Pack of 5 adapters fittings M. 14 x 1 for capillary pressure connection.

Price £ 10.42

Art. R.146.60 - Pack of 5 reduction adapters 1/4" F. to M. 8 x 1 for the connection to "VAILLANT" boilers.

Price £ 7.48

Art. R.130.15 - Rectangular rotating thermometer with bulb. Range 0°-120°C.

Range 0 - 120° C - Size: 31 x 64 mm - Capillary length 1.5 m - Bulb Ø 6.5 mm.

Quantity ≥	1	10
Price £	3.62	3.46

Art. R.131 - Round capillary thermometer - Range 0° - 120°C - Bulb Ø 6.5 mm.

External Ø mm	42	43	57			
Internal Ø mm	37	40	52			
Capillary Length	1 mt.	1.5 mt.	1.5 mt.			
Art. code	R.131.40	R.131.43	R.131.15			
Quantity ≥	1	10	1	10		
Price £	4.07	3.88	7.41	7.06	3.51	3.34

Art. R.132.10 - Rectangular rotating thermometer for boilers with capillary bulb.

Bulb Ø 6.5 mm - Capillary length 1 m - Size mm: 14 x 68 - Internal Ø 11 x 59 mm. - Range 0 - 120° C.

Quantity ≥	1	10
Price £	5.43	4.76

Art. R.134 - Square capillary thermometer for boilers. Range 0°-120°C.

Capillary length 1 m - Bulb Ø 6.5 mm.

External frame size	42 x 42 mm.	48 x 48 mm.		
Internal size	Ø 37 mm.	45 x 45 mm.		
Art. code	R.134.10	R.134.18		
Quantity ≥	1	10	1	10
Price £	7.75	7.39	3.06	2.91

Art. R.136 - Round capillary pressure gauge for boilers. Connection Ø 1/4" M.

External Ø mm	42	43	57					
Internal Ø mm	37	40	52					
Capillary Length	1 mt.	1.5 mt.	1.5 mt.	1.5 mt.				
Range	0-6 bar	0-4 bar	0-4 bar	0-6 bar				
Art. code	R.136.40	R.136.43	R.136.52	R.136.15				
Quantity ≥	1	10	1	10	1	10		
Price £	4.05	3.86	9.49	9.04	9.49	9.04	9.49	9.04

Art. R.137 - Thermometer water gauge with round capillary for boiler.

Range: 0 - 4 bar / 0°-120°C - Bulb Ø 6.5 mm. - Capillary Length 1500 mm.

External Ø mm	43	57	
Internal Ø mm	40	52	
Connection Ø	1/4" M.	M. 14 x 1	1/4" M.
Art. code	R.137.43	R.137.14	R. 137.15
Price £	15.33	15.54	15.10

Art. R.138 - Square capillary pressure gauge for boilers.

Capillary length 1 m - Flanged with swivel connections 1/4" M.

External frame size	42 x 42 mm.	48 x 48 mm.		
Internal size / Range bar	Ø 37 mm. / 0÷6	45 x 45 mm. / 0÷4		
Art. code	R.138.50	R.138.11		
Quantity ≥	1	10	1	10
Price £	9.49	9.04	9.49	9.04

Art. R.139.02 - Automatic check valve for pressure and water gauges Art. R.136 - R.137 - R.138.

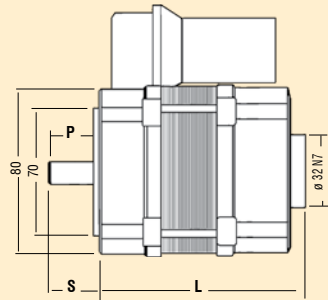
Brass 1/2" M. x 1/4" F.

Quantity ≥	1	10
Price £	2.91	2.64

## Spare motors for burners



Art. R.045



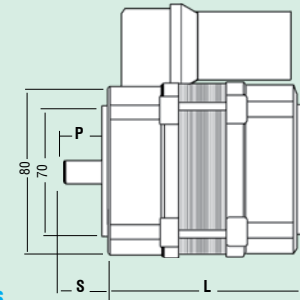
### Art. R.045 - Burner motor with pump connection Ø 32 N7.

With condensor and possibility to change rotation direction - 230 V. Shaft diameter 12.7 mm.

Power W	75		
Measure mm L - P - S	102	18.5	24
Art. code	R.045.07		
Quantity ≥	1	5	
Price £	79.97	75.97	
Power W	110		
Measure mm L - P - S	112	37.5	43
Art. code	R.045.10		
Quantity ≥	1	5	
Price £	82.36	78.24	
Power W	150		
Measure mm L - P - S	122	37.5	43
Art. code	R.045.15		
Quantity ≥	1	5	
Price £	114.24	108.53	



Art. R.046

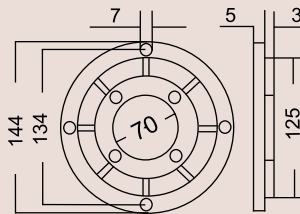


## Burner motor flanges



Art. R.049

D/1

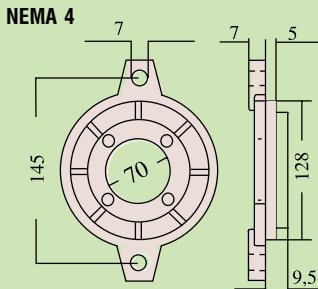


Art. R.049.01

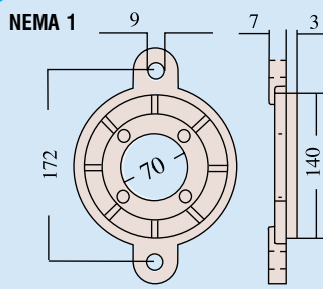
### Art. R.046 - Burner motor without direct pump connection with condenser - 230 V.

With condensor and possibility to change rotation direction - 230 V.

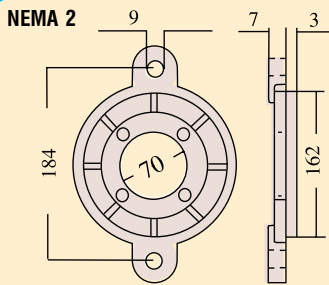
Rotation direction	Clockwise / Counterclockwise		
Power W	75		
Shaft diameter (mm)	12.7		
Dimensions mm L - P - S	96	37.5	43
Art. code	R.046.07		
Quantity ≥	1	5	
Price £	78.43	74.50	
Rotation direction	Clockwise / Counterclockwise		
Power W	110		
Shaft diameter (mm)	12.7		
Dimensions mm L - P - S	101	51	56.5
Art. code	R.046.10		
Quantity ≥	1	5	
Price £	81.16	77.11	
Rotation direction	Clockwise		
Power W	110		
Shaft diameter (mm)	8		
Dimensions mm L - P - S	101	51	80
Art. code	R.046.11		
Quantity ≥	1	5	
Price £	101.93	96.83	



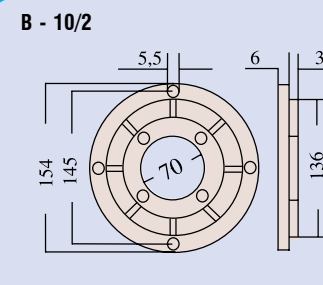
Art. R.049.02



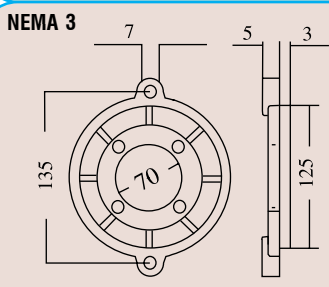
Art. R.049.03



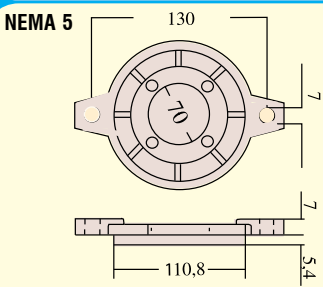
Art. R.049.04



Art. R.049.05



Art. R.049.06



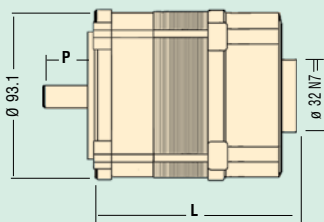
Art. R.049.07

### Art. R.049 - Flange for burner motors.

Motor coupling allows for a wide range of configuration options, enabling compatibility with nearly all low-power burner brands. Delivered complete with mounting screws.

Art. code	R.049.01	R.049.02	R.049.03	R.049.04
Price £	7.35	9.57	10.29	10.29
Art. code	R.049.05	R.049.06	R.049.07	
Price £	10.29	10.29	10.29	

## RIELLO

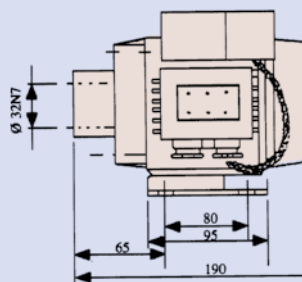


Art. R.045.90

Art. R.045.90 - Burner motor RIELLO complete with joint without condensor. Pump connection Ø 32 N7.

220 V - 50 Hz - Shaft Diameter 12.7 mm.  
Power W 100 - Dimensions mm: L = 112 - P = 20.4.

Quantity ≥	1	10
Price £	102.29	97.18



Art. R.047.00

Art. R.047.00 - Motor for diesel or fuel oil supplied pump with pump connection Ø - 32 N7 - Single phase - 230 V - 150 W.

Price £ 134.99



For spare condensers see page 187(F).



## Solenoid valves for diesel burners



Art. R.038



Art. R.039.01

Art. R.038 - Solenoid valve for "BRAHMA" diesel fuel burner.

Art. code	Model and connections	Price/Quantity ≥	
		1	10
R.038.01	E7L 1/8" F. x 1/8" F.	20.50	18.97
R.038.03	E7B 1/4" M. x 1/4" M.	20.91	19.99

Art. R.039.01 - Coil for "BRAHMA" solenoid valve - Model E7 - 230 V.

Quantity ≥	1	10
Price £	13.37	12.78

## Couplings with diesel pumps

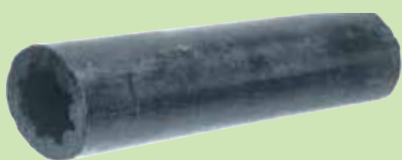


Art. R.062



Art. R.062 - Pack of 5 connecting bushes.

Type	Pump side		
	7.9	11.1	12.7
Shaft hole Ø mm			
Art. code	R.062.17	R.062.21	R.062.22
Price £	9.44	9.44	9.44

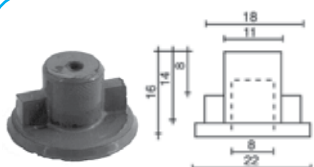


Art. R.063.05

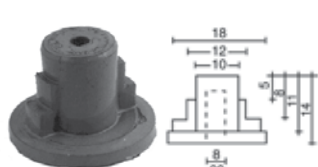
Art. R.063.05 - "ECONO" rubber profile 0.5 m.

For motor-fan connection in burners.

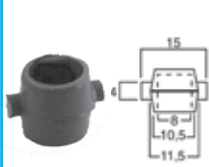
Price £ 8.89



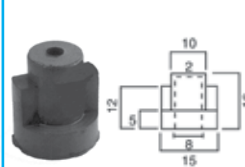
Art. R.064.01



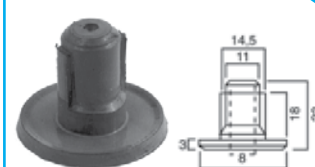
Art. R.064.02



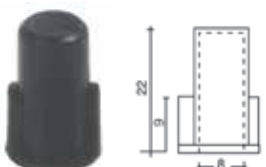
Art. R.064.03



Art. R.064.04



Art. R.064.05

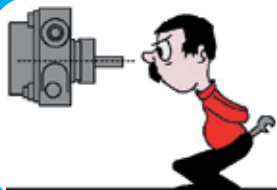


Art. R.064.07

Art. R.064 - Pack of 5 connecting joints for pump motor.

Art. code	R.064.01	R.064.02	R.064.03
Price £	4.83	4.83	4.83
Art. code	R.064.04	R.064.05	R.064.07
Price £	4.83	4.83	4.83

## Burner Pumps



**ATTENTION:**  
The pump rotation direction and nozzle outlet can be determined by looking at the pump shaft.

### DELTA



Art. R.050 - "Delta Fuel Master" burner pump with hub connection Ø 32 mm, with nozzle outlet left and right. Interchangeable models with SUNTEC

Model without Solenoid Valve

Art. code	Type	Flow rate 10 bar lt/h	Rotation direction	Price £/Quantity ≥	
				1	10
R.050.01	AD1L2 Replaces AD1L1 - V1LL2 - V1LR2	30	Counter- clockwise	35.78	33.11
R.050.03	AD1R2 Replaces AD1R1 - V1RL2 - V1RR2	30	Clockwise	35.78	33.11
R.050.05	AD2L2 Replaces AD2L1 - V2LL2 - V2LR2	50	Counter- clockwise	38.14	35.31
R.050.95	AD2R2 Replaces AD2R1 - V2RL2 - V2RR2	50	Clockwise	38.14	35.31
R.050.08	V3RL2 (nozzle outlet only right)	70	Clockwise	71.42	66.05

Model with Solenoid Valve

Art. code	Type	Flow rate 10 bar lt/h	Rotation direction	Price £/Quantity ≥	
				1	10
R.050.11	A1L2FA Replaces A1L1FA - VM1LL2 - VM1LR2	30	Counter- clockwise	39.33	36.40
R.050.13	A1R2FA Replaces A1R1FA - VM1RL2 - VM1RR2	30	Clockwise	39.33	36.40
R.050.15	A2L2FA Replaces A2L1FA - VM2LL2 - VM2LR2	50	Counter- clockwise	42.91	39.72
R.050.85	A2R2FA Replaces A2R1FA - VM2RL2 - VM2RR2	50	Clockwise	42.91	39.72

Art. R.051.05 – Pack of 20 gaskets for "Delta Fuel Master" pump. For old models, V Series and VM Series.

Price £ 19.65

Art. R.053.81 - Coil for solenoid valve for "Delta Fuel Master" pump - Type M81. AC 230V.

Quantity ≥	1	10	50
Price £	7.44	6.88	6.41



Art. R.051.05



Art. R.053.81

### SUNTEC



Art. R.058

Art. R.058 - "SUNTEC" burner pump. Hub connection Ø 32 mm.

N.B.: The pump rotation direction and nozzle outlet can be determined by looking at the pump shaft.

Art. code	Type	Version	Rotation direction	Nozzle outlet	Price £/Quantity ≥	
					1	10
R.058.13	AS47C	With solenoid valve	1538 7538	Counter- clockwise	Left	77.95 74.87
R.058.15	AS47D	With solenoid valve	1539 7539	Counter- clockwise	Right	114.65 110.12

Art. R.059.00 - Solenoid valve coil for "SUNTEC" pump Art. R.050 and "DANFOSS" pump Art. R.055 - Voltage 230 V.

Quantity ≥	1	10	50
Price £	20.07	18.07	17.36

Art. R.060.01 - Connecting plug for coil Art. R.053.81 - R.059.00 and for pumps with solenoid valve included R.050 - R.055 - R.058.

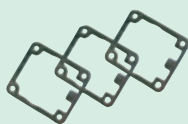
Price £ 3.08



Art. R.059.00



Art. R.060.01



Art. R.061.05

Art. R.061.05 - Pack of 20 gaskets for "Suntec" pump, Models AN47 and AS47.

Price £ 17.35

## DANFOSS



Art. R.055



Art. R.056.05



Art. R.057.90

Art. R.057.90 - Connecting cable for preheater - DANFOSS FPHB5. Length 700 mm.

Price £ 4.53

Art. R.055 - "DANFOSS" diesel burner pump with solenoid valve.

Hub fixing Ø 32 - N.B.: Rotation direction and nozzle outlet can be determined by looking at the pump shaft. Interchangeable models with SUNTEC.

Art. code	Type	Rotation direction	Nozzle outlet	Flow rate 10 bar l/h	Price £
R.055.71	BFP21R3 071N0171	Clockwise	Right and Left	45	71.13
R.055.70	BFP21L3 071N0170	Counterclockwise	Right and Left	45	71.13
R.055.73	BFP21R5 071N0173	Clockwise	Right and Left	70	82.73
R.055.72	BFP21L5 071N0172	Counterclockwise	Right and Left	70	82.73
	BFP21R3 071N0109	Interchangeable with BFP21R3 071N0171 (R.055.71)			
	BFP21L3 071N0107	Interchangeable with BFP21L3 071N0170 (R.055.70)			

Art. R.056.05 - "DANFOSS" preheater for diesel burner - Model FPHB5 - 030N1202.

Diameter 18.5 - Length 92.5 - Connection 1/8" F. - Flow rate: 5 lt. - 110 W.

Price £ 61.94

## Pump accessories for diesel burners



Art. W.150



Art. W.153



Art. R.597.06



Art. R.066.00



Art. R.068



Art. R.067.00

Art. W.150 - Pack of 5 fittings with male connection and brass compression olive for the connection of capillary tubes (from the fuel pump to the solenoid or to the nozzle, for the connection of gas to the pilot burners and other).

Art. code	Connection	Pipe diameter Ø	Price £
W.150.04	1/8"M.	4	3.39
W.150.06	1/8"M.	6	3.39
W.150.86	M10 x 1"F.	6	4.57

Art. W.153 - Pack of 5 fittings with compression ends and M. threaded ends, made of nipples, F. nut and brass compression olive for the connection of capillary tubes.

Connection Ø	1/8"M. x Ø 4	1/8"M. x Ø 6	1/8"M. x Ø 8	1/4"M. x Ø 6	1/4"M. x Ø 8
Art. code	W.153.04	W.153.06	W.153.08	W.153.16	W.153.18
Price £	9.37	9.22	10.84	10.69	12.06

Art. R.597.06 - 5 m coil of annealed copper tube, 6 mm diameter, for connections between diesel pump, solenoid valve and nozzle, and for gas connections to pilot burners.

Price £ 19.36

Art. R.066.00 - Adaptor flange with fixing lugs for gas diesel pumps.

When fitted on to diesel pumps (SUNTEC, DELTA, DANFOSS) it transforms them into fixed type with lugs. Distance between holes 92 mm.

Price £ 9.18

Art. R.067.00 - Largening ring for pump (SUNTEC, DELTA, DANFOSS) of fixing hub from diameter 32 mm to diameter 54 mm.

Price £ 10.25

Art. R.068 - Pack 10 nipples with round seat for diesel burner flex hoses.

Connections M. M.	1/8" x 1/8"	1/8" x 1/4"	1/4" x 1/4"	1/4" x 3/8"	3/8" x 3/8"
Art. code	R.068.51	R.068.52	R.068.53	R.068.54	R.068.55
Quantity ≥	1 5	1 5	1 5	1 5	1 5
Price £	14.55 13.97	13.85 13.31	10.71 10.28	11.68 11.22	17.80 17.09

Visit our  
WEBSITE



www.antaesint.com

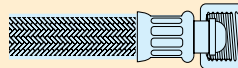
FOR ANY MISSING CODE OR UNAVAILABLE PRODUCT  
**PLEASE CONTACT US**

@ uk@antaesint.com

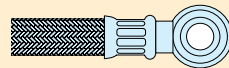
Telephone and WhatsApp  
**+44 1227 458 684**



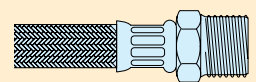
## Flexible hoses for burners



**TYPE "A"**  
Straight F. swivel fitting with seat and ogive. Gas thread.

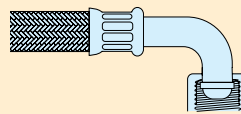


**TYPE "B"**  
Straight swivel fitting with eye connection, internal Ø 10 x 12.

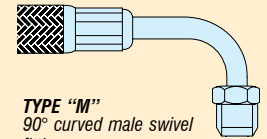


**TYPE "G"**  
Fixed M. fitting with gas thread.

Type of end Fittings



**TYPE "K"**  
F. 90° elbow swivel fitting. Gas thread.



**TYPE "M"**  
90° curved male swivel fitting.

### Art. R.070 - Flexible hose for burners.

Art. code	Ø External	One end Connection	Length mm.	Other end connection	Price £/quantity ≥	
					1	20
R.070.01	11	Type "G" 1/4"	800	Type "A" 1/4"	5.60	5.33
R.070.02	11	Type "G" 1/4"	1.000	Type "A" 1/4"	5.68	5.40
R.070.03	11	Type "G" 1/8"	800	Type "A" 1/4"	4.44	4.23
R.070.04	11	Type "G" 1/8"	1.000	Type "A" 1/4"	5.02	4.78
R.070.05	11	Type "A" 1/4"	800	Type "A" 1/4"	5.29	5.04
R.070.06	11	Type "A" 1/4"	1.000	Type "A" 1/4"	5.52	5.26
R.070.07	11	Type "A" 1/4"	800	Type "K" 1/4"	6.02	5.74
R.070.08	11	Type "A" 1/4"	1.000	Type "K" 1/4"	6.38	6.08
R.070.09	11	Type "B" 10	800	Type "A" 1/4"	2.72	2.58
R.070.10	11	Type "B" 10	1.000	Type "A" 1/4"	3.20	3.07
R.070.11	11	Type "M" 1/4"	800	Type "A" 3/8"	5.64	5.37
R.070.12	11	Type "M" 1/4"	1.000	Type "A" 3/8"	7.52	7.16
R.070.81	11	Type "G" 3/8"	800	Type "A" 3/8"	4.59	4.38
R.070.82	11	Type "G" 3/8"	1.000	Type "A" 3/8"	5.68	5.40

## Ignition transformers

### High Voltage Connections



Type A

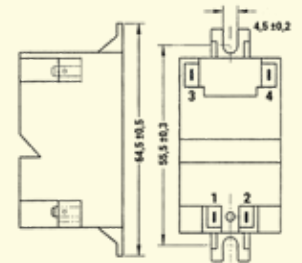
Cable Ø 7 and Ø 4 - Faston



Type B

Faston Ø 6

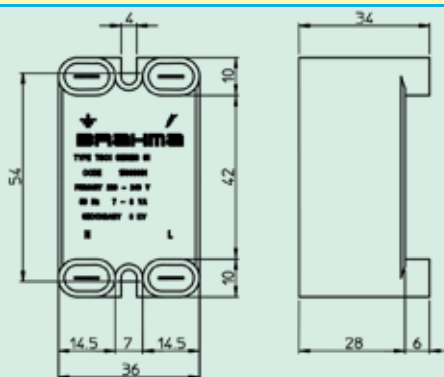
Art. R.091.00



Art. R.079.00



Art. R.076.01



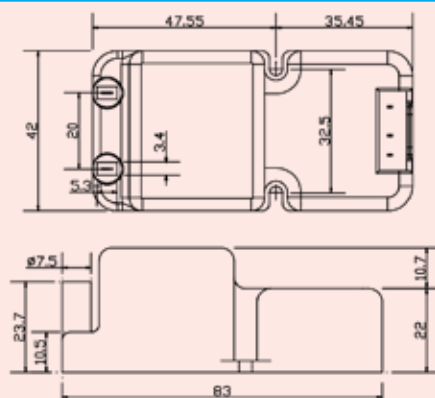
### Art. R.076.01 - Ignition transformer Brahma type TSC1.

Capacitive discharge igniter for burners atmospheric gas. 230 Vac power supply with Fast-On 6.3 x 0.8  
Output: 20kV with 2.8 x 0.5 Fast-On

Price £ 15.20



Art. R.077.01



### Art. R.077.01 - Brahma ignition transformer, TSM type.

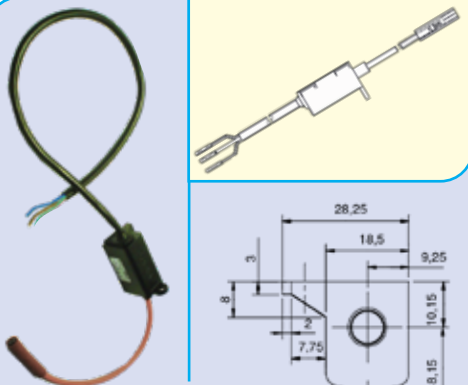
Capacitive discharge igniter designed for premixed gas burners in condensing boilers.  
Power supply: 230 VAC with 3-pin Stelvio connector.  
Output: 15 kV with Fast-On 2.8 x 0.5.

Price £ 12.46

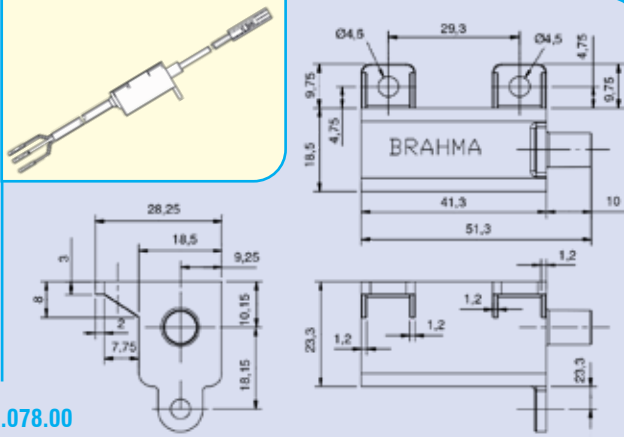
### Art. R.079.00 - Ignition transformer for boilers and gas cookers.

Primary: 230 V - 0.7 VA - Faston terminals 2.8 x 0.8.  
Duty cycle: 30%.

Price £ 5.41



Art. R.078.00



**Art. R.078.00 - Brahma remote ignition transformer type TR2 / A C53TC CAT30T4PS R2K7 H for atmospheric burners.**

Output voltage: 18 kV – Power consumption: 2.5 VA. Supplied with 53 cm power cable with crocodile clip terminal and 30 cm high-voltage silicone cable with Ø 4 mm cylindrical female terminal, with radio interference suppression.

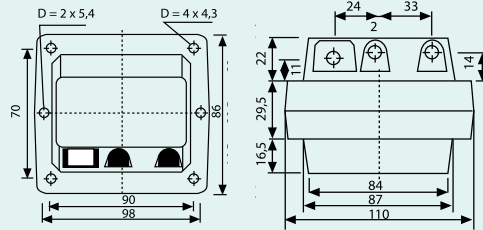
Quantity ≥	1	10
Price £	19.87	19.08

**Art. R.080 – COMPACT-type ignition transformer for burners.**

Complete with Ø 4 Faston connectors for connection to Ø 7 high-voltage cables and 450 mm power supply cable. Primary: 230 V.



Art. R.080



Art. codice	High-voltage output (V)	Type	Duty cycle	A	Price/Quantity ≥	
					1	10
R.080.00	2 x 5000	Burners	3" - 25%	1.2	40.54	39.26
R.080.01	2 x 4000	Water cleaner	100%	0.5	41.69	40.38
R.080.10	1 x 8000	Burners	3" - 25%	1	39.07	37.84

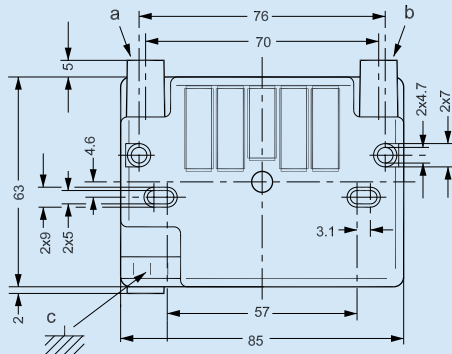
**Art. R.083.30 – “Danfoss” ignition transformer, EBI 4 type 052F4030. Compatible with obsolete model 052F0030.**

Primary: 230 V – Secondary: 15 kV – 40 mA. Connections: 2 x Ø 4 mm. – Duty cycle over 3 min: 33%.

Quantity ≥	1	10
Price £	49.86	48.28



Art. R.083.30



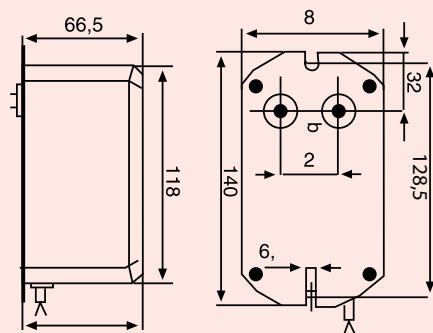
**Art. R.085.00 – “BRAHMA” ignition transformer for burners, T 14/T type, complete with high-voltage cables.**

Power cable length: 500 mm – Primary: 230 V. Secondary voltage: 2 x 4500 V – Primary current: 1.3 A. Duty cycle: 4 min at 25%.

Price £ 102.43



Art. R.085.00



**Art. R.071.00 – “Brahma” ignition transformer for burners, T13/M type.**

Power supply cable length: 550 mm. Primary: 230 V. Output: 1 x 8 kV – 16 mA. Duty cycle: 100%.

Price £ 117.24

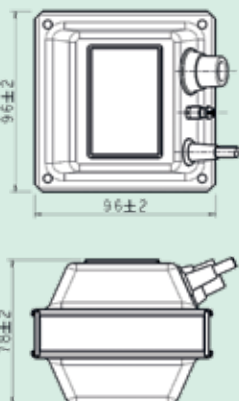
**Art. R.072.00 – “Brahma” ignition transformer for burners, T16/M type.**

Power supply cable length: 550 mm. Primary: 230 V. Output: 2 x 5 kV – 20 mA. Duty cycle: 3 min at 33%.

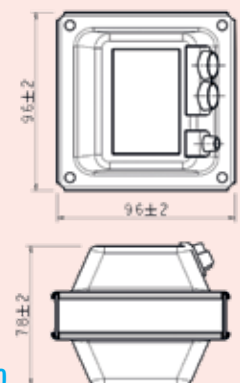
Price £ 131.20



Art. R.071.00

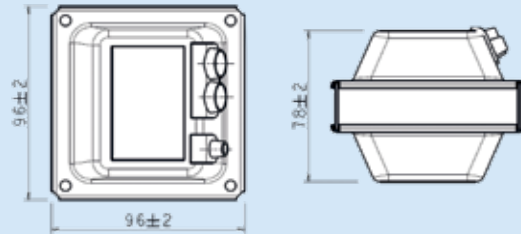


Art. R.072.00





Art. R.073.00



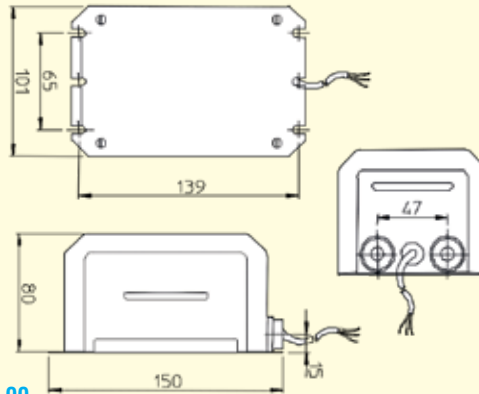
**Art. R.073.00 - "BRAHMA" burners ignition transformer type T17/M.**

Power supply cable length 550 mm.  
 Primary: 230 V.  
 Outlet: 2 x 4 KV - 16 mA.  
 Duty cycle: 100%

Price £ 133.13



Art. R.074.00



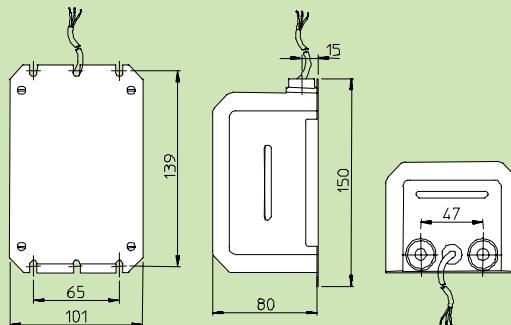
**Art. R.074.00 - "BRAHMA" burners ignition transformer type T18.**

Power supply cable length 550 mm.  
 Primary: 230 V.  
 Outlet: 2 x 4.5 KV - 16 mA.  
 Duty cycle: 100%

Price £ 155.08



Art. R.086.00



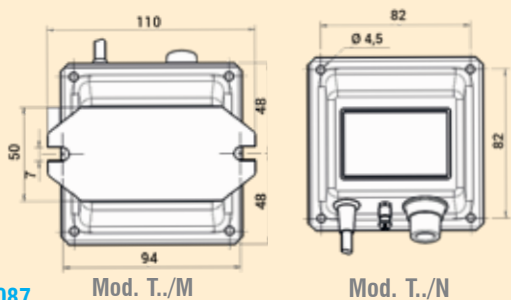
**Art. R.086.00 - "Brahma" ignition transformer for burners, T8 type, 13 kV.**

Power supply cable length: 500 mm.  
 Primary: 230 V.  
 Output: 2 x 6.5 kV - 35 mA. High-voltage connection: type "A".  
 Duty cycle: 3 min at 33%.

Price £ 64.59



Art. R.087



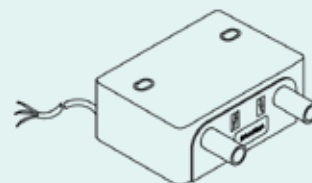
**Art. R.087 - "Brahma" ignition transformer for burners, T11 type.**

Power supply cable length: 500 mm. - Primary: 230 V.  
 Secondary voltage: 1 x 9.000 V - Primary current: 1.1 A.  
 High-voltage connection: type "A". Duty cycle: 3 min at 33%.

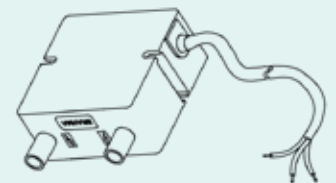
Art. code	Model	Mounting type	Price £
R.087.03	T11/M	M	109.59
R.087.02	T11/N	N	108.18



Art. R.089



Series TC...S

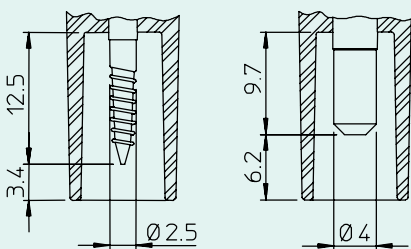


Series TD...S

**Art. R.089 - "Brahma" ignition transformer, TC...S and TD...S types.**

Power supply: 230 VAC with power cable.

Art.code	Type	Connector type	No. of poles	Insulator connection	Output voltage (kV)	Power supply cable	Price £
R.089.01	TC1LVCA	V	1	lateral	15	Si	27.67
R.089.02	TC1SVCA	V	1	bottom side	15	Si	25.50
R.089.04	TD1SVCA	V	1	bottom side	15	Si	24.96
R.089.03	TC2LVCA	V	2	lateral	2 x 12	Si	28.76
R.089.05	TD2STCAF	T	2	bottom side	2 x 12	Si	31.12
R.089.00	TD2STPAF	T	2	bottom side	2 x 12	No - with triangular socket	31.71
R.089.06	TD2LTCAF	T	2	lateral	2 x 12	Si	29.34



TYPE "V"

TYPE "T"

# Ignition and detection electrodes for burners

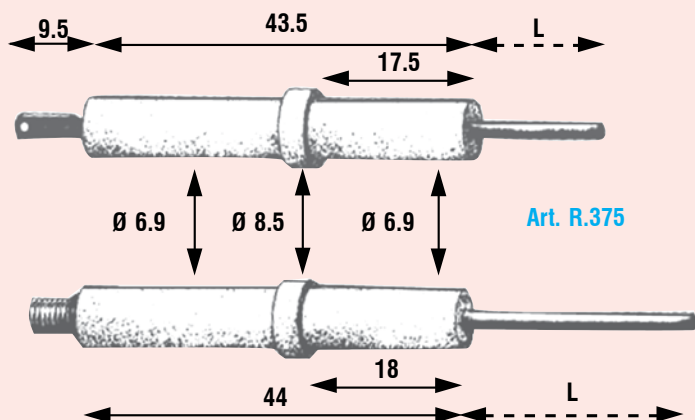


Art. R.075

Art. R.075 - Ignition and detection electrode with Kanthal metal part and alumina ceramic insulator for burners.

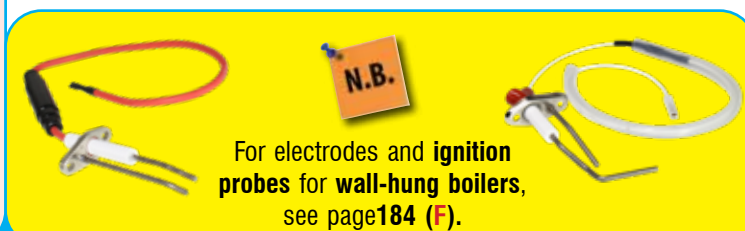
Drawing	Art. code	Ø insulating	L <sub>1</sub>	L <sub>2</sub>	L <sub>3</sub>	Ø Terminal	Price £/quantity ≥	
							1	10
	R.075.65	6	55	85	-	6.35	5.75	5.47
	R.075.01	8	60	250	-	6.35	13.46	12.79
	R.075.88	8	80	100	-	6.35	9.96	9.46
	R.075.80	8	80	200	-	6.35	13.87	13.18
	R.075.12	8	120	150	-	6.35	15.30	14.53
	R.075.16	11	67	100	-	6.35	15.91	15.11
	R.075.10	11	102	100	-	6.35	17.54	16.67
	R.075.02	11	102	200	-	6.35	18.36	17.44
	R.075.46	14	67	100	-	6.35	10.61	10.08
	R.075.40	14	102	100	-	6.35	21.22	20.16
	R.075.45	14	152	100	-	6.35	28.15	26.75
	R.075.44	14	152	300	-	6.35	30.60	29.07
	R.075.60	8	60	140	20	4	17.95	17.05
	R.075.63	8	60	140	20	6.35	17.54	16.67
	R.075.64	9	105	200	30	4	3.60	3.42
	R.075.35	-	40	2 x 10	-	6.35	3.73	3.55

## Electrodes of common use



Art. R.375 – Pack of 5 ignition or flame-sensing electrodes with 6.9 mm diameter insulator and 53 mm length. Electrode tip to be cut and bent as required.

Art. code	Ø Wire	Connection	Length. "L"	Material	Price £
R.375.04	2	<b>D</b> Ø M4	30	Stainless steel	8.44
R.375.08	2	<b>C</b> Flat Faston 2.8 x 0.8	16	Stainless steel	6.88
R.375.18	2	<b>C</b> Flat Faston 2.8 x 0.8	60	Kanthal	7.09







Art. R.090



Art. R.091

**Art. R.090 - Coil of 5 m high tension cable. With silicon protective sleeve.**

External Diameter	Ø 4 x 1	Ø 7 x 1
Art. code	R.090.04	R.090.51
Price £	9.86	25.67

**Art. R.091 - Pack of 10 high tension connectors for electrodes to cable (Press Lock).**

For electrodes Ø	4 mm	6.3 mm
Art. code	R.091.04	R.091.00
Price £	3.15	6.40

**Art. R.092 - Pack of 10 straight protective caps for terminal lugs.**

For cable lugs Ø	4 mm	6.3 mm
Art. code	R.092.04	R.092.00
Price £	3.74	10.01

**Art. R.093.00 - Pack of 10 terminal lugs Ø 6.3 mm with protective cover.**

Price £ 16.40



Art. R.092



Art. R.093.00

**Pilot burners and accessories**



Art. R.590



**Art. R.590 - Stainless steel pilot burner for gas boilers, with fittings for fixing the thermocouple and electrode. Supplied without nozzle (see Art. R.595) and gas connection fitting (see Art. W.150).**

Art. code	Type	Price £
R.590.00	470 F with long outlet	9.43
R.590.01	H 549 F with short outlet	8.45

**Art. R.591.00 - Inclined-flame pilot burner, type 526 F, stainless steel, for gas boilers, with fittings for thermocouple and electrode mounting. Without nozzle and gas connection fitting (see Art. R.595 - W.150).**

Price £ 8.45

**Art. R.595 - Pack of 5 nozzles for "Polidoro" pilot burner 470 F or H 549 F (Art. R.590 and R.591.00).**

Art. code	Gas type	Ø nozzle mm.	Price
R.595.00	Methan	0.30	3.70
R.595.01	GPL	0.18	3.70

**Art. W.150 - Pack of 5 brass connections with male thread and press cutting ring for connecting capillary tubes (from the diesel pump to the solenoid valve or nozzle, for connecting gas to ignition burners, etc.).**

Art. code	Connection	Pipe Ø	Price £
W.150.04	1/8"M.	4	3.39
W.150.06	1/8"M.	6	3.39
W.150.86	M10 X 1 F.	6	4.57

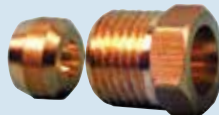
N.B.: for connecting pipe please see Art. R.597.06 on page 179 (F).



Art. R.591.00



Art. R.595

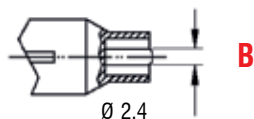


Art. W.150

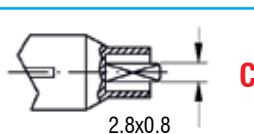
**Piezoelectric spark igniter**



Art. R.598



B



C

**Art. R.598 - Piezoelectric spark igniter with button.**

Faston Connections	Round Ø 2.4 (B)		Flat 2.8 x 0.5 (C)	
Art. code	R.598.00		R.598.28	
Quantity ≥	1	5	1	5
Price £	2.16	2.16	1.88	1.63

**Art. R.599.01 - "UNIVERSAL" piezoelectric spark igniter with button, complete with a range of fixing adaptors to allow for the fitting of replacements on almost every appliance. Type round connection (B).**

Price £ 4.63



Art. R.599.01

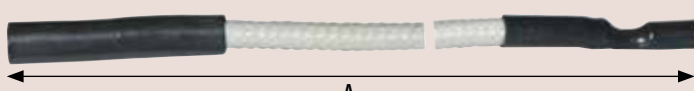
**Art. R.530 - Pack of 5 PTFE-insulated cables for piezo igniter connection.**

Piezoelectrical connections: round Faston 2.4 (for B)

A = Length m. 500			A = Length m. 1000		
Art. code	Electrode connection	Price £	Art. code	Electrode connection	Price £
R.530.52	Ø 2.4	4.68	R.530.12	Ø 2.4	6.34
R.530.54	Ø 4	4.32	R.530.14	Ø 4	6.39
R.530.58	Ø 2.8 x 0.8	4.68	R.530.18	Ø 2.8 x 0.8	6.48

Piezoelectric Connection: Faston flat 2.8 x 0.8 (for C)

R.530.08	Ø 2.8 x 0.8	4.32	R.530.98	Ø 2.8 x 2.08	7.02
----------	-------------	------	----------	--------------	------



Art. R.530

## Adhesive tapes

### Electrical insulating tapes



Art.F.650

### Self-amalgamating



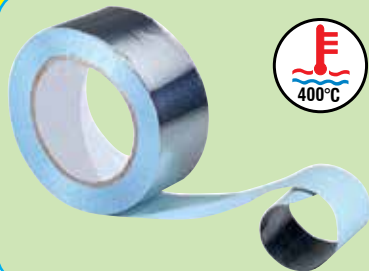
Art.F.654.00

Art. F.650 – Pack of 10 rolls of self-adhesive insulating tape. Thickness: 0.13 mm – Width: 15 mm – Length: 10 m.

Colour	Black	White	Blue	Grey
Art. code	F.650.01	F.650.02	F.650.03	F.650.04
Price £	2.51	2.51	2.51	2.51

Colour	Red	Brown	Ground: yellow/ green
Art. code	F.650.05	F.650.06	F.650.07
Price £	2.51	2.63	2.63

### Sealing tapes



Art.F.660



Art. F.654.00 - Roll of self-amalgamating adhesive insulating tape. Thickness: 0.75 mm – Width: 19 mm – Length: 10 m.

Price £ 13.21

Art. F.660 - Roll of adhesive aluminium tape suitable for sealing flues avoiding smoke dispersion and carbon monoxide exhalations in aereating shafts and other uses. Length 50 mt. Excellent mechanical resistance. Thickness 0.4 mm Max. temp. 400°C.

Art. code	Color	Width mm	Price £
F.660.02	Aluminium	25	9.91
F.660.04	Aluminium	50	6.14
F.660.12	Black	25	18.17
F.660.14	Black	50	36.34



Art. F.661.50

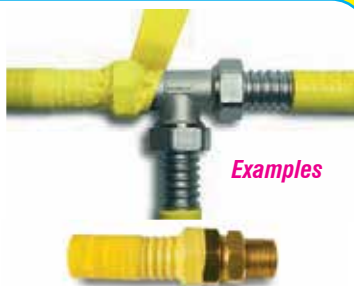
Art. F.661.50 – Roll of black fiberglass adhesive tape, impregnated with silicone adhesive, suitable for airtight sealing of flue ducts, preventing smoke leakage and carbon monoxide emissions. Length: 50 m. Excellent mechanical resistance. Thickness: 165 microns. Width: 25 mm. Maximum temperature: 500°C.

Price £ 34.83

### Gas pipes sealing tapes



Art. F.664.10



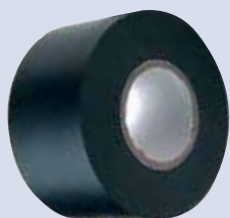
Examples

Art. F.664.10 – Self-amalgamating protective tape for pipe sections where the outer coating has been removed to perform the joint. Regulations require these sections to be covered with yellow protective tape.

Width: 25 mm. Thickness: 0.5 mm. Length: mt. 5.

Price £ 21.38

### Thermic insulation tapes



Art. F.665.33



Art. F.668

Art. F.665.33 – PVC black adhesive tape suitable for minor repairs of the insulating covering of pipes with thermal insulation ( Art. E.342 e E.345 ) during the installation of solar thermal systems. Width mm.19, Thickness: 0.5 mm. , Length mt. 5.

Width mm.19, Thickness: 0.5 mm. , Length mt. 5.

Price £ 4.85

Art. F.668 – Black closed-cell, reinforced foam rubber adhesive tape with removable protective film.

Suitable for insulating hot and cold piping, particularly in refrigeration production and distribution systems and air-conditioning installations, for fittings and special components, and where standard tubular insulation cannot be applied. Thickness: 3 mm.

Art. code	F.668.50	
Width	50 mm.	
Length	10 mt.	
Quantity ≥	1	10
Price £	4.50	4.28

### Construction sites caution tape



Art. F.670



Art. F.670 – Roll of warning tape for construction sites. Width: 70 mm – Length: 200 m. Made of low-density polyethylene, weather-resistant.

Colour	White / Red	Yellow / Black
Art. code	F.670.01	F.670.02
Price £	3.85	4.33

## Electrical components and accessories of general utility

### Electrocondensers



Art. R.048

Art. R.048 - Pack of 5 electrocondensers.

0 V - 50 Hz - Faston terminal 6.3 mm.

Art. code	Capacity μ F.	Ø mm x Length mm	Price £	Art. code	Capacity μ F.	Ø mm x Length mm	Price £
R.048.15	1.5	30 x 60	2.81	R.048.10	10	40 x 60	4.53
R.048.20	2	30 x 60	2.96	R.048.14	14	40 x 70	5.41
R.048.25	2.5	30 x 60	3.14	R.048.16	16	40 x 70	6.60
R.048.31	3.15	30 x 60	3.19	R.048.22	20	40 x 70	6.64
R.048.40	4	30 x 60	3.36	R.048.02	25	40 x 80	12.53
R.048.50	5	30 x 60	3.65	R.048.30	30	40 x 80	13.88
R.048.63	6.3	30 x 60	3.89	R.048.35	35	40 x 90	15.41
R.048.80	8	35 x 60	4.14	R.048.41	40	40 x 95	17.11

### Fuses



Art. R.649

Art. R.649 - Pack of 10 fuses, 5 x 20 mm, rapid type for protection of electronic circuits. Conform to CEEDIN Standards.

Power supply	200 mA	400 mA	630 mA	1 A	1.6 A	2 A	3.15 A	4 A
Art. code	R.649.20	R.649.40	R.649.63	R.649.01	R.649.16	R.649.02	R.649.03	R.649.04
Price £	3.60	2.89	2.89	2.85	2.89	2.84	2.86	2.59

### Cable glands



Art. R.656

Art. R.656 - Pack of 10 cable glands in grey plastic complete of locknut.

Art. code	Ø hole	Dimensions mm.						Price £
		D1	D2	B1	L1	L2	L3	
R.656.07	3.5 ÷ 6	12.1	8.0	6.0	8.0	12.8	13.4	1.56
R.656.09	4 ÷ 8	14.3	9.9	7.0	8.1	13.9	15.2	1.85
R.656.11	5 ÷ 10	18.23	13.2	9.6	8.2	15.4	18.3	2.29
R.656.13	6 ÷ 12	19.9	15.2	11.7	8.9	15.8	18.9	2.59
R.656.16	10 ÷ 14	22.1	17.2	12.9	8.9	17.3	19.7	3.35

## Electrical connecting terminals



Art. R.735

Art. R.735 - Pack of no. 10 screw-on terminal boards with no. 12 parallel double brass terminals and protection in self-extinguishing nylon, approved for a temperature of 110°C.

Art. code	Ø hole	Capacity	Hole center distance	Price/Pack. £
R.735.29	2.9	2.5 mm <sup>2</sup> - 24 A - 450 V	8	6.11
R.735.34	3.4	4 mm <sup>2</sup> - 32 A - 450 V	10	6.40
R.735.44	4.4	10 mm <sup>2</sup> - 57 A - 450 V	12	8.62

Art. R.736 - Pack of no. 10 screw-on terminal boards with no. 12 male and no. 12 female parallel connecting plugs with brass terminals that can be blocked with screws and protection in selfextinguishing nylon, approved.

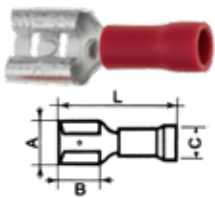
Art. code	Ø hole	Capacity	Hole center distance	Price/Pack. £
R.736.29	2.9	2.5 mm <sup>2</sup> - 24 A - 450 V	8	37.15
R.736.34	3.4	4 mm <sup>2</sup> - 32 A - 450 V	10	33.27
R.736.43	4.3	10 mm <sup>2</sup> - 57 A - 450 V	12	67.25

Art. R.737 - Pack of no. 10 blind screw-on terminal boards with no. 10 brass terminals and protection in transparent self-extinguishing polycarbonate, approved.

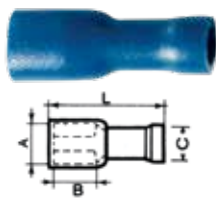
Art. code	Ø hole	Hole center distance	Price/Pack. £
R.737.33	3.3	7	8.72
R.737.40	4	10	11.24
R.737.45	4.5	11	13.77
R.737.60	6	12	17.67
R.737.77	7.7	14	29.83
R.737.95	9.5	-	45.70



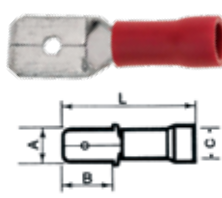
Art. R.737



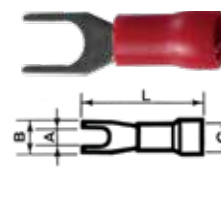
Art. R.740.1-



Art. R.740.2-



Art. R.740.3-



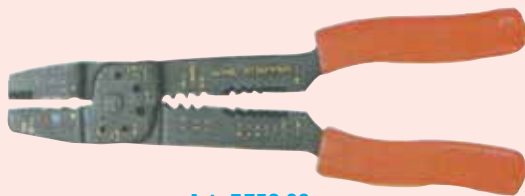
Art. R.740.4-



Art. R.740.5-

Art. R.740 - Pack of no. 100 pieces of pinch terminals for the connection of electrical cables.

Type	Art. code	Color	Cable section	A	B	C	L	Price £
Female receptacle	R.740.11	Red	0.25÷1.5	6.3 x 0.8	7.9	1.7	21	2.93
	R.740.12	Light Blue	1.5÷2.5	6.3 x 0.8	7.9	2.3	21	4.07
Preisolated female receptacle	R.740.21	Red	0.25÷1.5	4.8 x 0.8	6.5	1.7	20	4.25
	R.740.22	Red	0.25÷1.5	6.3 x 0.8	7.9	1.7	22	4.77
	R.740.23	Light Blue	1.5÷3.5	4.8 x 0.8	6.5	2.3	20	4.52
	R.740.24	Light Blue	1.5÷2.5	6.3 x 0.8	7.9	2.3	21.5	5.33
Female receptacle	R.740.31	Red	0.25÷1.5	6.3 x 0.8	7.8	1.7	21.5	2.93
	R.740.32	Red	0.25÷1.5	4.8 x 0.8	6.5	1.7	20	2.40
	R.740.33	Light Blue	1.5÷2.5	6.3 x 0.8	7.8	2.3	21.5	3.20
	R.740.34	Light Blue	1.5÷2.5	4.8 x 0.8	6.5	2.3	18.5	2.40
Fork	R.740.41	Red	0.25÷1.5	Ø 4.3	6.5	1.7	21.5	2.40
	R.740.42	Light Blue	1.5÷2.5	Ø 4.3	6.5	2.3	21.5	2.93
Eyelet	R.740.51	Red	0.25÷1.5	Ø 3.7	6.6	1.7	20	2.40
	R.740.52	Red	0.25÷1.5	Ø 5.3	8	1.7	20	3.20



Art. F.752.06

Art. F.752.06 - Pliers for the tightening of bare or preinsulated electrical terminals from 0.5÷6 mm.

Price £ 4.49

## Burner Nozzles



Art. R.040

Art. R.041

FOR ANY MISSING CODE OR UNAVAILABLE PRODUCT  
PLEASE CONTACT US

@ uk@antaresint.com

Telephone and WhatsApp  
+44 1227 458 684



Art. R.040 - "Danfoss" burner nozzle model S 60°.

Art. code	Type GPH	Type	Price/q.ty ≥		Art. code	Type GPH	Type	Price/q.ty ≥	
			1	10				1	10
R.040.12	0.40	S	11.44	10.99	R.040.75	2.25	S	8.91	8.57
R.040.14	0.50	S	8.76	8.42	R.040.76	2.50	S	8.91	8.57
R.040.61	0.60	S	8.76	8.42	R.040.77	2.75	S	8.91	8.57
R.040.62	0.65	S	8.76	8.42	R.040.78	3.00	S	8.91	8.57
R.040.63	0.75	S	8.76	8.42	R.040.79	3.50	S	8.91	8.57
R.040.64	0.85	S	8.76	8.42	R.040.81	4.00	S	8.91	8.57
R.040.65	1.00	S	8.76	8.42	R.040.82	4.50	S	8.91	8.57
R.040.66	1.10	S	8.76	8.42	R.040.83	5.00	S	8.91	8.57
R.040.67	1.20	S	8.76	8.42	R.040.84	5.50	S	8.91	8.57
R.040.68	1.25	S	8.76	8.42	R.040.85	6.00	S	8.91	8.57
R.040.69	1.35	S	8.76	8.42	R.040.86	6.50	B	8.91	8.57
R.040.71	1.50	S	8.91	8.57	R.040.87	7.50	B	8.91	8.57
R.040.72	1.65	S	8.91	8.57	R.040.88	8.50	B	8.91	8.57
R.040.73	1.75	S	8.91	8.57	R.040.89	10.00	B	8.91	8.57
R.040.74	2.00	S	8.91	8.57					

Art. R.041 - "Danfoss" burner nozzle model S 45°.

Art. code	Type GPH	Type	Price/q.ty ≥		Art. code	Type GPH	Type	Price/q.ty ≥	
			1	10				1	10
R.041.14	0.50	S	8.57	8.42	R.041.75	2.25	S	8.91	8.57
R.041.61	0.60	S	8.76	8.42	R.041.76	2.50	S	8.91	8.57
R.041.62	0.65	S	8.76	8.42	R.041.77	2.75	S	8.91	8.57
R.041.63	0.75	S	8.76	8.42	R.041.78	3.00	S	8.91	8.57
R.041.64	0.85	S	8.76	8.42	R.041.79	3.50	S	8.91	8.57
R.041.65	1.00	S	8.76	8.42	R.041.81	4.00	S	8.91	8.57
R.041.66	1.10	S	8.76	8.42	R.041.82	4.50	S	8.91	8.57
R.041.67	1.20	S	8.76	8.42	R.041.83	5.00	S	8.91	8.57
R.041.68	1.25	S	8.76	8.42	R.041.84	5.50	S	8.91	8.57
R.041.69	1.35	S	8.76	8.42	R.041.85	6.00	S	8.91	8.57
R.041.71	1.50	S	8.91	8.57	R.041.86	6.50	B	8.91	8.57
R.041.72	1.65	S	8.91	8.57	R.041.87	7.50	B	8.91	8.57
R.041.73	1.75	S	8.91	8.57	R.041.88	8.50	B	8.91	8.57
R.041.74	2.00	S	8.91	8.57	R.041.89	10.00	B	8.91	8.57

## Safety valves for boilers

### Safety valves with threaded connection

CE



Art. E.010

CE



Art. E.012

#### Art. E.010 - Standard brass safety valve approved CE.

Art. code	Connection Ø	Ø Drainage	Calibration pressure	Price £/Quantity ≥	
				1	10
E.010.32	1/2" F.	1/2" F.	3 bar	3.63	3.53
E.010.62	1/2" F.	1/2" F.	6 bar	2.88	2.81
E.010.33	3/4" F.	1/2" F.	3 bar	6.43	6.28
E.010.36	3/4" F.	1/2" F.	6 bar	6.42	6.27
E.010.93	1/2" M.	1/2" F.	3 bar	3.33	3.25
E.010.96	1/2" M.	1/2" F.	6 bar	3.33	3.25

#### Art. E.012 - Standard brass safety valve. Approved CE with pressure gauge connection 1/4" F.

Art. code	Connections Ø	Calibration pressure	Price £/Quantity ≥	
			1	10
E.012.32	1/2" F.	3 bar	3.63	3.53
E.012.62	1/2" F.	6 bar	3.63	3.53
E.012.93	1/2" M.	3 bar	3.63	3.53
E.012.96	1/2" M.	6 bar	3.63	3.53

#### Art. E.043.02 - Safety valve with built-in check valve "KRATOS" for boilers or heaters.

Connections 1/2" M.F. - Intervention pressure 8 bar. In nickle-plated brass.

Quantity ≥	1	10
Price £	2.78	2.40

#### Art. E.014 - Standard brass safety valve approved CE. Complete with pressure gauge.

Art. code	Connections Ø	Pre-calibrated	Price £/Quantity ≥	
			1	10
E.014.32	1/2" F.	3 bar	7.54	7.35
E.014.62	1/2" F.	6 bar	7.59	7.40
E.014.93	1/2" M.	3 bar	7.54	7.35
E.014.96	1/2" M.	6 bar	7.59	7.40

#### Art. E.011 - Brass safety valve for solar thermal systems with female inlet and larger drain. Approved CE.

Max temperature: 150°C. Suitable for water mixed with antifreeze glycole up to 50%. Compliant to DIN 4757.

Art. code	Connections Ø	Pre-calibrated	Price £/Quantity ≥	
			1	10
E.011.12	1/2" F. x 1/2" F.	3 bar	2.88	2.81
E.011.32	1/2" F. x 3/4" F.	3 bar	4.81	4.41
E.011.33	1/2" F. x 3/4" F.	4 bar	4.70	4.57
E.011.36	1/2" F. x 3/4" F.	6 bar	4.54	4.42
E.011.62	1/2" F. x 1/2" F.	6 bar	2.95	2.80

### Safety valves for solar systems

Solar thermal systems

CE



Art. E.011



For the safety of your profession, **ANTARES** sells exclusively to companies registered in the Chamber of Commerce

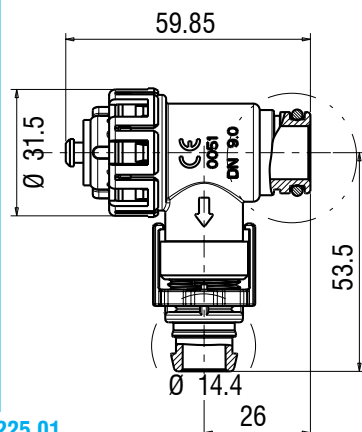
### Specific safety valve as spare parts for boilers

Ø 20

BSG



Art. E.225.01



#### Art. E.225.01 - Plastic safety valve with quick connection Ø 20 and drain outlet with hose-holder for boilers BSG and other brands. Drain pressure: 3 bar

Quantity ≥	1	10
Price £	5.12	4.88



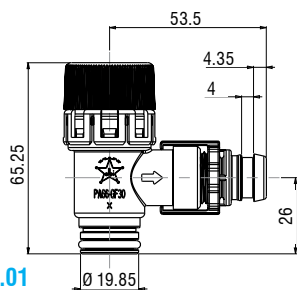
For product information, you can send us messages and photos via WhatsApp.

+44 1227 458 684

We do not provide product information over the phone. Checking spare part compatibility is a free service to assist the customer with their purchase. We accept no responsibility if the indicated product does not match.



Art. E.227.01

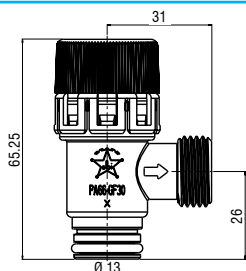


Art. E.227.01 – Plastic safety valve with quick connection Ø 20 and drain outlet with hose-holder for boilers FERROLI and other brands. Drain pressure: 3 bar.

Quantity ≥	1	10
Price £	4.34	3.95



Art. E.229.01

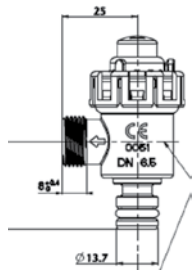


Art. E.229.01 – Plastic safety valve with quick connection Ø 20 and drain outlet 1/2" for boilers BSG and other brands. Drain pressure: 3 bar.

Quantity ≥	1	10
Price £	4.34	3.95



Art. E.230.01

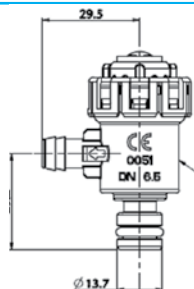


Art. E.230.01 – Plastic safety valve with quick connection Ø 14 and threaded drain outlet 3/8" M. for boilers ARISTON - BOSCH - CHAFFOTEAUX and other brands. - 3 bar

Quantity ≥	1	10
Price £	4.39	4.17



Art. E.231.01

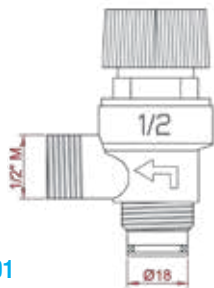


Art. E.231.01 – Plastic safety valve with quick connection Ø 14 and drain outlet with hose-holder for boilers ARISTON - BOSCH - CHAFFOTEAUX and other brands. - 7 bar.

Quantity ≥	1	10
Price £	3.96	3.76



Art. E.233.01

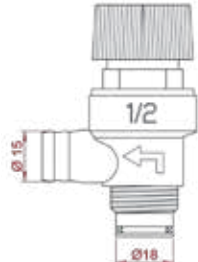


Art. E.233.01 – Plastic safety valve with quick connections Ø 18 and threaded drain outlet 1/2" M. multi-brands. - 3 bar

Quantity ≥	1	10
Price £	2.58	2.45



Art. E.234.01

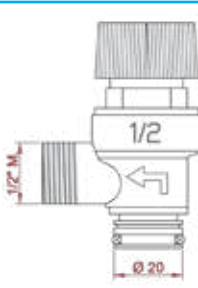


Art. E.234.01 – Plastic safety valve with quick connections Ø 18 and drain outlet with multi-brand hose-holder. - 3 bar

Quantity ≥	1	10
Price £	2.49	2.36



Art. E.235.02



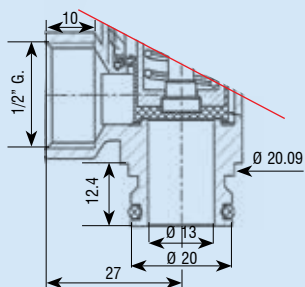
Art. E.235.02 – Plastic safety valve with quick connection Ø 20 with double bivalent groove for HERMANN, SAUNIER DUVAL and VAILLANT. Threaded drain outlet 1/2" M. - 3 bar

Quantity ≥	1	10
Price £	2.54	2.41

### Coupling Ø 20



**BERETTA/VOKERA  
RIELLO  
IMMERGAS  
other brands**

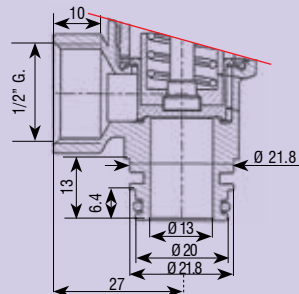


Art. E.237.02

### Coupling Ø 20



**BERETTA/VOKERA  
LAURA  
other brands**

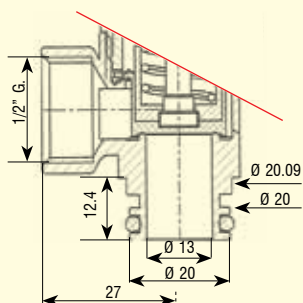


Art. E.238.02

### Coupling Ø 20



**BAXI-RADIANT  
other brands**



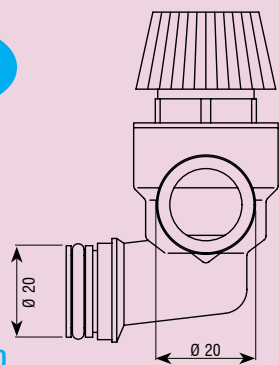
Art. E.240.05

### Coupling Ø 20 to SQ

**SAUNIER DUVAL**



Price  
£ 2.85



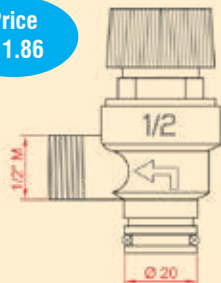
Art. E.241.20

### Coupling Ø 20

**CALEFFI  
SIME  
other brands**



Price  
£ 1.86



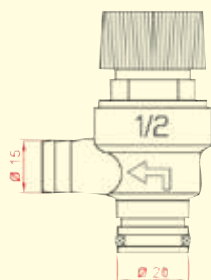
Art. E.242.20

### Coupling Ø 20

**CALEFFI  
SIME  
other brands**

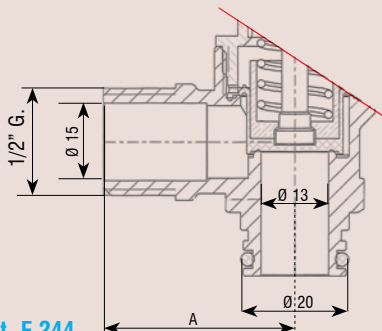


Art. E.243.20



### Coupling Ø 20

**FERROLI  
SAUNIER DUVAL  
other brands**



Art. E.244

Art. E.237.02 - Safety valve with quick connection 20 mm with O-ring drain connection 1/2" F for boilers BERETTA - VOKERA - RIELLO - IMMERGAS and other brands - 3 bar.

Quantity ≥	1	10
Price £	2.70	2.57

Art. E.238.02 - Plastic safety valve with quick connection 20 mm for ROCA - LAURA boilers and other brands. With threaded discharge outlet 1/2" F - 3 bar.

Quantity ≥	1	10
Price £	6.18	5.87

Art. E.240.05 - Safety valve with brass body and plastic cap, quick-connect Ø 20, suitable for RADIANT, BAXI and other boiler brands. Equipped with 1/2" F threaded discharge outlet, 3 bar.

Quantity ≥	1	10
Price £	5.86	5.57

Art. E.241.20 - Mixed black plastic safety valve, 3 bar, right-angle with quick connection Ø 20 with O-ring, drain connection Ø 20, for boilers SAUNIER DUVAL, ref. 0020078632.

Price £ 2.85

Art. E.242.20 - Plastic safety valve with quick connection 20 mm with O-ring drain connection 1/2" - 3 bar.

Quantity ≥	1	10
Price £	1.95	1.86

Art. E.243.20 - Plastic safety valve with quick connection 20 mm with O-ring hose drain connection 15 - 3 bar.

Quantity ≥	1	10
Price £	2.27	2.16

Art. E.244 - Safety valve with quick connection 20 mm with O-ring discharge outlet 1/2" M - 3 bar.

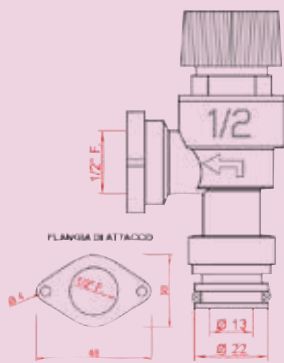
Art. code	Dimensions A mm.	Compatible	Price £/quantity ≥	
			1	10
E.244.02	32	Ferrolli - Saunier Duval - Fagor - other brands	3.44	3.28
E.244.04	37	Gruppi Vergne - other brands	5.42	5.15

### Coupling Ø 22



IMMERGAS

Art. E.245.02

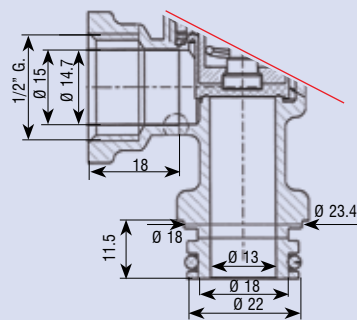


### Coupling Ø 22



IMMERGAS  
Other brands

Art. E.246.02

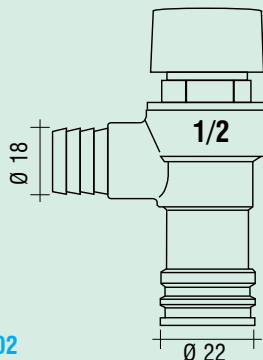


### Coupling Ø 22



IMMERGAS

Art. E.247.02



Art. E.245.02 - safety valve with quick connection 22 mm entrance and exit flanged with thread F 1/2".

Drain pressure 3 bar for IMMERGAS boilers.

Quantity ≥	1	10
Price £	7.98	7.58

Art. E.246.02 - Safety valve with quick connection diam. 22 mm with O-ring, discharge conn. 1/2" F. Discharge pressure 3 bar. Compatible IMMERGAS and other brands.

Quantity ≥	1	10
Price £	5.88	5.59

Art. E.247.02 - Safety valve with quick connection diam. 22, mm, with O-ring, discharge connection with hose Ø 18 - For Immergas.

Quantity ≥	1	10
Price £	10.07	9.75

Art. E.248.02 - Safety valve with quick connection milled entrance for inserting fork and larger female discharge 3/4" (Ø 19.5 mm x 3/4" F).

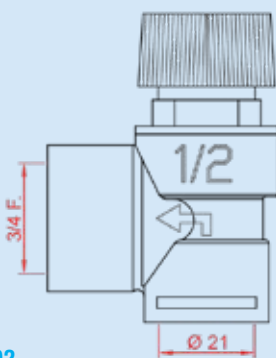
Discharge pressure: 3 bar - For VAILLANT boilers.

Quantity ≥	1	10
Price £	10.05	9.73

VAILLANT



Art. E.248.02



Art. E.030 - Visible nylon drain funnel.

Diameter	3/4" F. x 3/4" F.	1" F. x 1" F.
Art. code	E.030.03	E.030.10
Price £	7.41	10.57



Art. E.030



Art. E.032.02

Art. E.032.02 - Pack of 5 brass hose-holder fittings for safety valve drain.

Connection 1/2" M for hose-holder Ø 12.

Price £ 6.00



Art. E.034.02

Art. E.034.02 - Pack of 5 brass hose-holder fittings 1/2" M. x Ø 20 for safety valve drain.

Price £ 8.41

## Spare head for safety valves



Art. E.028



Art. E.029

Art. E.028 - Spare head for safety valves/hydraulic modules with manual opening.

Suitable for boilers: FERROLI, UNICAL, RADIANT and other brands.

Intervention set	3 bar	6 bar
Art. code	E.028.03	E.028.06
Price £	3.09	3.09

Art. E.029 - Spare head for safety valves/hydraulic modules without manual opening.

Intervention set	3 bar	3.5 bar
Art. code	E.029.22	E.029.35
Price £	3.43	3.11

## Expansion vessels for wall boilers

Temp: -10°C ÷ 90°C

CE



Art. E.051

Art. E.051 - CE approved round expansion vessel. Temp. max: -10 ÷ 99°C.

Conform to European standards PED 97/23/CE - Factory-set pressure 1 bar. Max operating pressure: 3 bar. - Connection M. Radial.

Art. code	Capacity Lt.	Diameter mm.	Thickness mm	Con-nection	Valve position	Manufacturer boilers	Price £
E.051.76	6	325	118	3/8"	0°		31.35
E.051.78	8	325	132	3/8"	0°		31.90
E.051.71	10	325	150	3/4"	0°		33.57
E.051.72	12	325	170	3/4"	0°		35.74
E.051.06	6	387	93	3/8"	0°		33.57
E.051.36	6	387	70	3/8"	180°	Leblanc, Ocean, Sime	29.62
E.051.07	7	387	97	3/8"	0°	Sime	36.15
E.051.88	8	387	110	3/8"	0°	Neca	37.56
E.051.68	8	387	90	3/8"	180°	Hermann, Ocean, Leblanc	30.82
E.051.70	10	387	128	3/8"	180°	Ocean	39.18
E.051.80	10	387	128	3/4"	0°		32.96
E.051.82	12	387	142	3/4"	0°		41.30
E.051.84	14	387	170	3/4"	0°		43.79
E.051.98	18	387	181	3/4"	0°		42.47
E.051.96	6	392	60	3/8"	180°	MTS/Ariston, Hermann	35.77
E.051.97	7	392	70	3/8"	180°	Arca	32.45
E.051.99	8	392	75	3/8"	150°	Sime	39.04
E.051.38	8	392	75	3/8"	0°		39.04

Art. E.052 - CE approved rectangular expansion vessel.

Conform to European standards PED 97/23/CE - Factory-set pressure 1.5 bar. Max operating pressure: 3 bar. - Connection M.

Art. code	Capacity Lt.	Height mm.	Base mm.	Depth mm.	Connection	Valve position	Price £
E.052.32	12	440	350	98	1/2"	0°	62.70
E.052.34	14	440	350	116	1/2"	0°	67.64
E.052.38	18	440	350	152	3/4"	0°	74.10
E.052.46	6	438	250	65	3/8"	0°	41.13
E.052.48	8	438	250	86	3/8"	90°	41.89
E.052.40	10	438	250	105	3/8"	180°	44.48
E.052.86	6	515	200	100	3/4"	0°	36.78
E.052.88	8	515	200	113	3/4"	0°	37.64
E.052.80	10	515	200	128	3/4"	0°	34.69
E.052.81	12	515	200	146	3/4"	0°	36.33

Art. D.036 - Multifunctional expansion vessel with interchangeable diaphragm for domestic use.

Conform to European standards PED 97/23/CE Max pressure bar 10. Connection 1/2" M. Max temp.: -10 ÷ 100°C.

Art. code	Capacity Lt.	Height mm.	Diameter mm.	Price £
D.036.02	2	440	80	38.52
D.036.03	3	560	90	41.95
D.036.04	4	655	90	46.86

**Note:** In replacement works, the connection fitting may be of a larger size. In such cases, the use of increasing ring adapters is recommended, **Art. G.151 on page 55 (W)**.



For fittings increasing the connection diameter, see **Art. G.151 on page 55 (W)**.



Art. D.036

FOR ANY MISSING CODE OR UNAVAILABLE PRODUCT, PLEASE CONTACT US

Telephone and WhatsApp  
+44 1227 458 684

@ uk@antaresint.com



**N.B.**  
For the complete range of expansion vessels and circulators for heating see **page 81 (W)**.



**N.B.**  
For the range of expansion vessels for domestic hot water, see **page 129 (W)**.

## Scale removal liquids and descaling pumps



Art. F.440.10

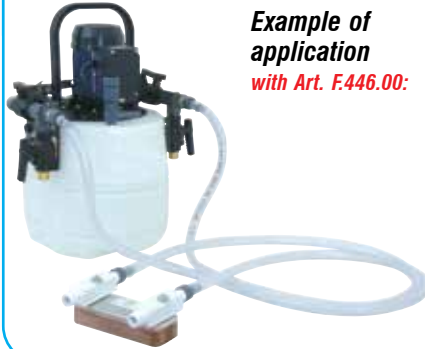


Art. F.440.30

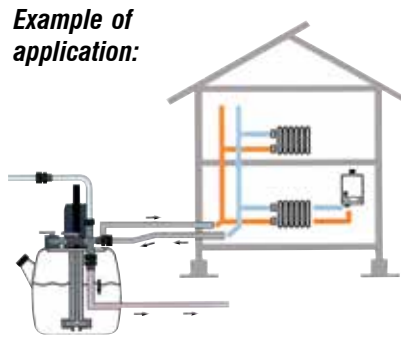
Art. F.440.10 - Descaling pump "INCLEAN" completely in plastic, fitted in a stable way on a 18 lt tank with a special anti corrosive cap. The cap contains pipes and cables making the pump compact, easy to handle and move. Suitable for the descaling of boiler coils and heat exchangers. It is fitted with a flow inverter in order to attack scaling in both directions.

Motor 230 Vac - Kw 0.185 - Protection IP55. Flow l/h 1.800. Head max 1 bar. Weight Kg. 7. Dimensions: h 50 x L 35 X P 35. Complete with connecting flexible hoses, fittings and shoulder strap.

Price £ 294.84



**Example of application**  
with Art. F.446.00:



**Example of application:**

Art. F.440.30 - Descaling pump "MAXCLEAN" completely in plastic, fitted in a stable way on a high performance 36 lt tank and suitable for descaling and cleaning of the whole heating system including boiler coils and heat exchangers. Eliminates the problems of water circulation caused by an accumulation of sediments deposits corrosion and scale. It is fitted with a flow inverter in order to attack scaling in both directions.

Motor 230 Vac. Kw 0.29. Protection IP55.- Flow l/h 2.880. Head max 1.5 bar. Weight kg 11. Dimensions: h 63 x L 35 X P 35. Complete with connecting flexible hoses and fittings.

Price £ 515.92



Art. F.445.00

Application example  
on a **circulating pump body**



Art. F.445.00 - Insertion flange for circulating body for the connection to the scale removal pump for the cleaning of systems, complete with flexible hoses, screws and washers. Suitable for circulators with hole distance 68 mm: Grundfos, WSC, Wilo, Salmson, Myson, Antares, Circulating Pumps.

Price £ 52.12

Art. F.446.00 - Kit for the descaling of plate heat exchangers with connection enabled by o-ring.

Enables the descaling of primary and secondary circuits. Built with antiacid material and complete with o-ring.

Price £ 83.75



Art. F.446.00



Art. F.450

Art. F.450 - Tank of inhibited acid-based scale remover "Disinex" for the removal of limestone or siliceous scale of pipes and closed circulation systems in boiler and heat exchangers. For aluminium or galvanized surfaces use the product "Zinconex" Art. F.453.

Tank of lt	5	10
Art. code	F.450.05	F.450.10
Price £	10.32	18.93

Art. F.453 - Drum of powdered scale remover "Zinconex" suitable for heating and cooling systems with galvanized or aluminium surfaces.

Drum of Kg.	1 Kg.	5 Kg.
Art. code	F.453.10	F.453.50
Price £	15.29	49.20



Art. F.453

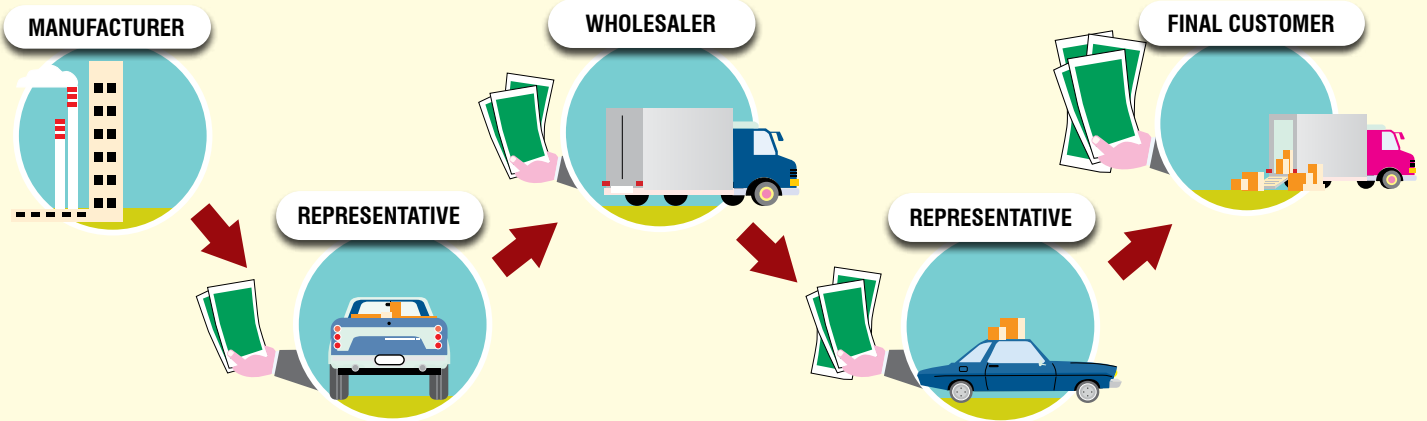


Art. F.455.05

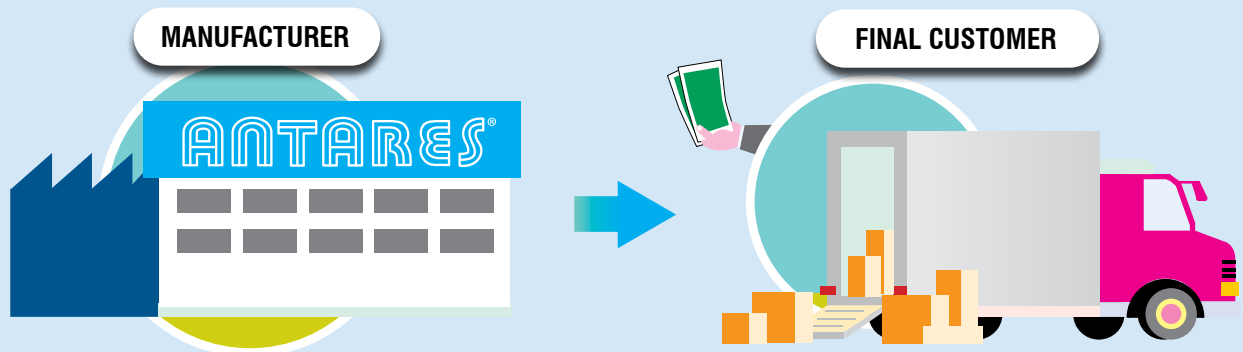
Art. F.455.05 - 5 lt tank of neutralising liquid of residual acidity present after scale removal processes of the systems.

Price £ 20.37

## Conventional sale



## ANTARES® Sales directly without additional costs\*



\*Except for some articles manufactured directly by the producers in spares.

## Professional Card

**For our valued customers...**



**PROFESSIONAL CARD**  
**ITS HERE!**



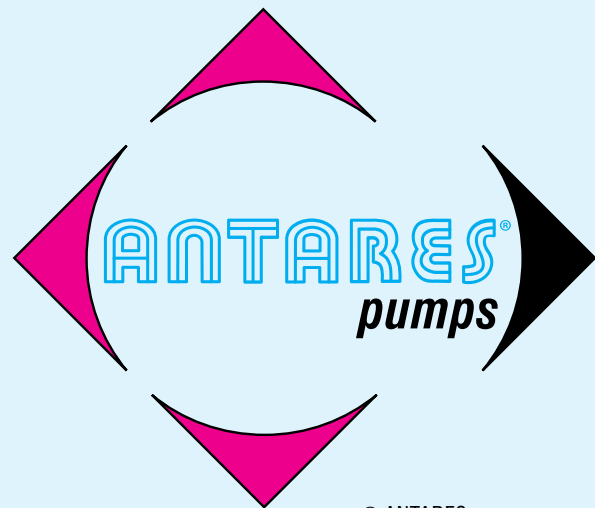
**Every purchase made** during the year allows you to collect **"Droplet Points"**, at a rate of 100 points for every £500 spent, to redeem **rewards**, from a wide selection available in the Rewards Catalogue, downloadable from [WWW.ANTARESINT.COM](http://WWW.ANTARESINT.COM)

### Getting it is EASY :

1. Visit our website [WWW.ANTARESINT.COM](http://WWW.ANTARESINT.COM)
2. Click on "PROFESSIONAL CARD"
3. Click on "REQUEST CARD"
4. Fill in the form provided.



[www.antaresint.com](http://www.antaresint.com)

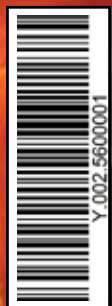


© ANTARES – All rights reserved.

**SATISFIED OR YOUR MONEY BACK**

If an item, for any reason, is not to your satisfaction, you may request a replacement or a refund.

In either case, you must return the item within 20 days of receipt, upon prior written authorization, carriage free, in its original packaging, together with your delivery note. **ANTARES** will arrange either a replacement or a refund, according to your request.



**ANTARES** for Water & Fire Ltd.

VAT:978186655  
Registered in England No. 6800982

35 MARINE TERRACE - MARGATE, KENT - CT9 1XJ

IBAN: GB61 LOYD 3091 6000 3389 01 - BIC: LOYDGB21060 - LLOYDS BANK p.l.c. - LONDON

Internet: [www.antaresint.com](http://www.antaresint.com) - E-mail: [uk@antaresint.com](mailto:uk@antaresint.com) - Telephone and WhatsApp: +44 1227 458 684