

# Circulating Pumps

Guidelines for selection and replacement

Updated to 03/2026

**Model range with technical and performance data  
Compatibility tables and drawings for replacements**



**ANTARES**  
pumps

Via Martini, 111 - 55100 LUCCA - ITALY  
Tel. +39 0583 473701 • WhatsApp: +39 349 665 6433  
ant3@antaresint.com • www.antaresint.com  
ANTARES Pumps is a productive section of Antares for Water & Fire srl



# INDEX

## CIRCULATING PUMPS AND BOOSTER PUMPS

• PWM high efficiency circulating pumps ..... Pag.4	• Fittings ..... Pag.21
• MODULEX electrical connections sockets ..... 7	• Plastic-body circulating pumps for boilers with customised couplings ..... 21
• PWM high efficiency Motor Head .....8	• Accessories and spare parts for plastic-body circulators ..... 29
• High efficiency circulating pump without PWM ..... 10	• Circulator bodies ..... 30
• High efficiency Motor Head without PWM ..... 12	• Adapters for electrical connections ..... 30
• Low efficiency Motor Head..... 13	• Electrical connections sockets for Modulex ..... 31
• Medium flow rate, high efficiency circulating pumps ..... 14	• Connection cables for circulators ..... 31
• Medium/high flow rate, high efficiency PWM circulating pumps ..... 16	• Thermal insulation shells ..... 31
• Flanged high efficiency circulating pumps ..... 17	• Manifolds for circulators twin coupling ..... 32
• Recirculating pumps for domestic hot waters ..... 19	• Shut-off valves for circulating pumps ..... 32
• Pressure booster pumps ..... 20	

### USAGE:

- ▶ Boilers
- ▶ Heat pumps
- ▶ Air-conditioning systems
- ▶ Solar powered systems
- ▶ Geothermal systems
- ▶ Biomass heating systems
- ▶ Heat exchange units
- ▶ Recirculating DHW
- ▶ Pressure boosting

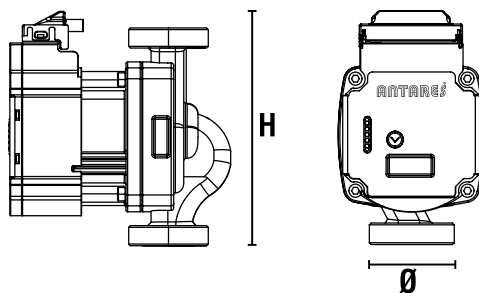
HYBRID	FLEX	SOLAR		Pag.
 <p>Art. P.110</p>	 <p>Art. P.112</p>	 <p>Art. P.023</p>	Art. P.110	4
			<b>MODULEX HYBRID</b>	5
			Art. P.112	6
			<b>MODULEX FLEX</b>	
			Art. P.023	7
			<b>MODULEX SOLAR</b>	
ALFAMAX	ALFAMAX	MOTOR HEAD for Grundfos		
 <p>Art. P.064</p>	 <p>Art. P.065</p>	 <p>Art. P.121</p>	Art. P.023	10
			<b>ALFAMAX</b>	
			Art. P.065	11
			<b>ALFAMAX</b>	
			Art. P.121	9
			<b>MOTOR HEAD for Grundfos</b>	
MOTOR HEAD for Wilo	MOTOR HEAD for Grundfos	MOTOR HEAD for Wilo		
 <p>Art. P.122</p>	 <p>Art. P.074.60</p>	 <p>Art. P.075.60</p>	Art. P.122	8
			<b>MOTOR HEAD for Wilo</b>	
			Art. P.074.60	12
			<b>MOTOR HEAD for Grundfos</b>	
			Art. P.075.60	12
			<b>MOTOR HEAD for Wilo</b>	

<p><b>MOTOR HEAD</b> for Grundfos</p>  <p>Art. P.084</p>	<p><b>MOTOR HEAD</b> for Wilo</p>  <p>Art. P.085</p>	<p><b>ALFA MAIOR</b></p>  <p>Art. P.066-P.076</p>	<p>Art. P.084 <b>MODULEX HEAD</b> for Grundfos</p> <p>Art. P.085 <b>MODULEX HEAD</b> for Wilo</p> <p>Art. P.066-P.076 <b>ALFA MAIOR</b></p>	<p><b>Pag.</b> 13 13 14 15</p>
<p><b>ALFA PLUS</b></p>  <p>Art. P.078</p>	<p><b>ALFA MEGA</b> DN 40-50</p>  <p>Art. P.079-P.080</p>	<p><b>ALFA MEGA</b> DN 65-80</p>  <p>Art. P.081-P.082</p>	<p>Art. P.078 <b>ALFA PLUS</b></p> <p>Art. P.079-P.080 <b>ALFA MEGA</b></p> <p>Art. P.081-P.082 <b>ALFA MEGA</b></p>	<p>16 17 18</p>
<p><b>RECIRCULATING DHW</b></p>  <p>Various items</p>	<p><b>BOOSTER PUMP</b> Pressure BOOSTER</p>  <p>Art. P.202-P.204</p>	<p><b>PLASTIC-BODY</b></p>  <p>Various models for boilers</p>	<p>Art. P.061-P.090 Art. P.093-P.094 <b>RECIRCULATING DHW</b></p> <p>Art. P.202-P.204 <b>BOOSTER PUMP</b> Pressure booster</p> <p>Art. P.061-P.062-P.030 Art. P.031-P.036-P.039 Art. P.040 <b>PLASTIC-BODY</b></p>	<p>19 20 21</p>
<p><b>DE-AERATOR HEADS</b></p>  <p>Art. P.088-P.089</p>	<p><b>BODY</b></p>  <p>Art. P.153 - P.151</p>	<p><b>CONNECTION SOCKETS</b></p>  <p>Art. P.170</p>	<p>Art. P.088-P.089 <b>DE-AERATOR HEADS</b></p> <p>Art. P.153-P.151 <b>BODIES</b></p> <p>Art. P.170 <b>ELECTRICAL CONNECTIONS SOCKETS</b></p>	<p>29 30 31</p>
<p><b>CONNECTION CABLES</b></p>  <p>Various items</p>	<p><b>CONNECTION FITTINGS</b></p>  <p>Various items</p>	<p><b>VALVES AND ADAPTERS</b></p>  <p>Various items</p>	<p>Art. P.175-P.177-P.178 Art. P.191-P.193-P.195 <b>CONNECTION CABLES</b></p> <p>Art. P.001-P.002-P.003 <b>CONNECTION FITTINGS</b></p> <p>Art. P.180-P.181-E.430 Art. E.430-E.432-E.437 Art. E.470-P.004-P.005 <b>VALVES AND ADAPTERS</b></p>	<p>30 21 30 32</p>



- ▶ Universal circulating pump for every application
- ▶ Universal circulating pump for every replacement
- ▶ Smart frequency conversion circulating pump with electronic control of:
  - PP - Proportional Pressure
  - CP - Constant Pressure
  - CS - Constant Speed
  - Self Adapt – Automatic control
- ▶ Complies with European directives Eup/Erp with energy efficiency index  $\leq 0.21$ .
- ▶ Equipped with PWM1 and PWM2 controller for parametrizable external regulation.
- ▶ Structural quality: rotating parts made of ceramic bearings, wear-resistant.

ANTARES MODULEX UPM- circulating pump is a smart frequency conversion circulator with integrated differential pressure electronic control, with the option to set the regulation module and the head (differential pressure). Differential pressure is regulated by the pump speed.



Mod. HYBRID

**MODULEX CIRULATOR PUMP TYPE:**

- ▶ UPM HYBRID Art. P.110
- ▶ UPM FLEX Art. P.112
- ▶ UPM SOLAR Art. P.023

**Universal circulating pump  
For every installation and replacement**

**Universal interchangeability:**

Meaning it can easily replace damaged or low efficiency circulating pumps, avoiding stocking unnecessary spare parts, saving space, time and money.

**High energy-efficiency:**

Not only is it suitable for replacing faulty circulating pumps, it is also highly energy-efficient, which makes it the ideal solution for new systems and renovations. It comes with a compact, highly efficient motor, which absorbs less energy than old generation models, therefore allowing lower operating costs for heating systems.

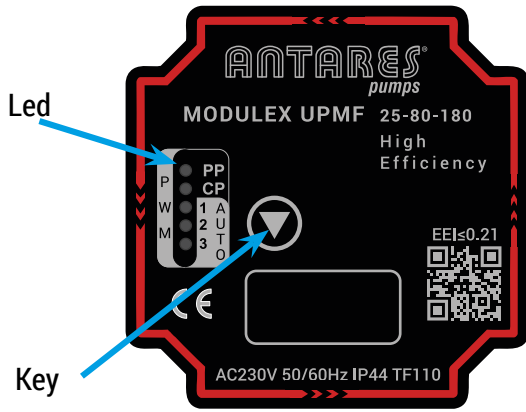
**Multiple applications:**

- Boilers
- Heat pumps
- Traditional heating systems
- Radiant floor heating systems
- Mixing and heat exchange units
- Biomass heating systems

**Models and reference codes**

Item code	Model	Head mt.	MAX. flow rate. m³/h	Thread Ø	Height
					H
P.110.69	UPMH 15-60-130	1-6	2.9	1" M.	130
P.110.60	UPMH 25-60-130		3.2	1 1/2" M.	130
P.110.68	UPMH 25-60-180		3.2	1 1/2" M.	180
P.110.89	UPMH 15-80-130	1-8	4.1	1" M.	130
P.110.84	UPMH 20-80-130		4.1	1 1/4" M.	130
P.110.80	UPMH 25-80-130		4.1	1 1/2" M.	130
P.110.88	UPMH 25-80-180		4.1	1 1/2" M.	180
P.110.82	UPMH 32-80-180		4.1	2" M.	180
P.112.89	UPMF 15-80-130		4.1	1" M.	130
P.112.80	UPMF 25-80-130	1-8	4.1	1 1/2" M.	130
P.112.88	UPMF 25-80-180		4.1	1 1/2" M.	180
P.023.89	UPMS 15-80-130	1-8	4.1	1" M.	130
P.023.80	UPMS 25-80-130		4.1	1 1/2" M.	130
P.023.99	UPMS 15-90-130	1-9	4.6	1" M.	130
P.023.90	UPMS 25-90-130		4.6	1 1/2" M.	130
P.023.98	UPMS 25-90-180		4.6	1 1/2" M.	180

## Control panel



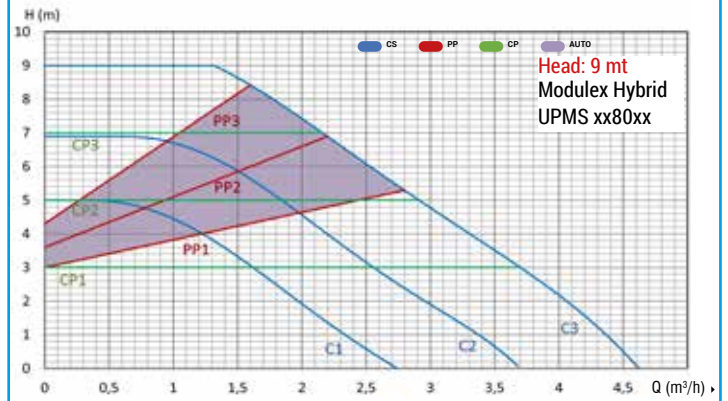
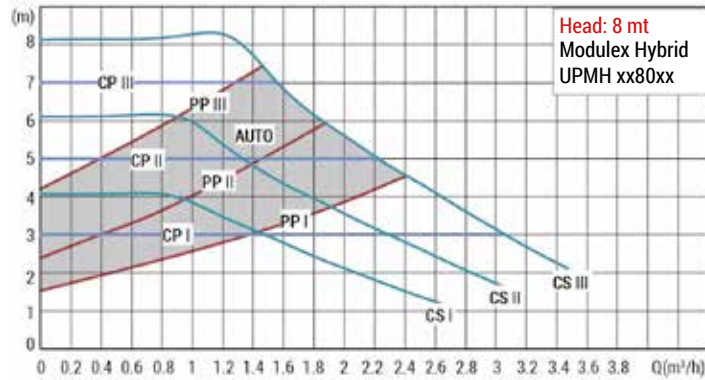
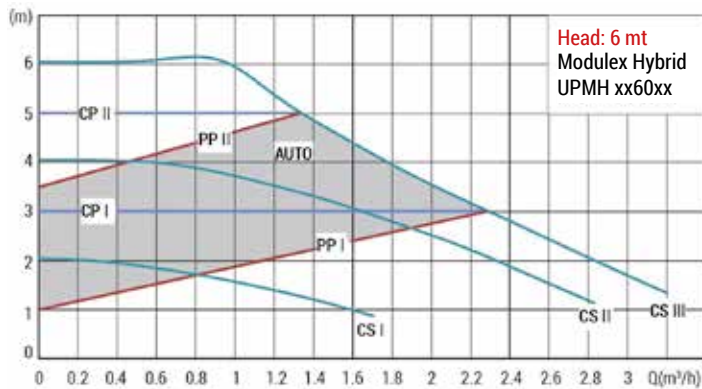
## Performance curves

Pump performance symbols key:

- **PP**= Proportional Pressure
- **CS**= Constant Speed
- **CP**= Constant Pressure
- **AUTO** = Self Adapt - Automatic control

Option to set the **control mode and the head (differential pressure)**.  
The differential pressure is regulated by the pump speed.

## Performance curves



## Various models functions:

MODULEX Model	Internal control			External control
	Proportional Pressure	Constant Pressure	Constant Curve	PWM
HYBRID UPMH Art. P.110	I	I	I	P1
	II	II	II	
	III	III	III	
	AUTO	-	-	

FLEX UPMF Art. P.110	I	I	I	P1-P2 (Parameterizable)
	II	II	II	
	III	III	III	
	AUTO	-	-	

SOLAR UPMS Art. P.023	I	I	I	P1-P2 (Parameterizable)
	II	II	II	
	III	III	III	
	AUTO	-	-	

## Operating conditions

- Liquid temperature: 2°C ~ 110°C
- Room temperature: 0°C ~ 40°C
- Max. system pressure: 10 bar
- Protection level: IP44
- Rated voltage/frequency: 220 V ~ 240 V / 50 Hz
- Insulation class: E
- Features of the pumped liquid: clean, free from solids and mineral oils, non-toxic, chemically neutral, 50 % glycol antifreeze
- Installation: the motor shaft must be kept in the horizontal direction

A more detailed technical documentation can be requested or downloaded directly from our website:

[www.antesint.com](http://www.antesint.com)



## Flex UPMF Model

### Mod. FLEX CAST-IRON BODY

4-year warranty

8 mt.



PWM

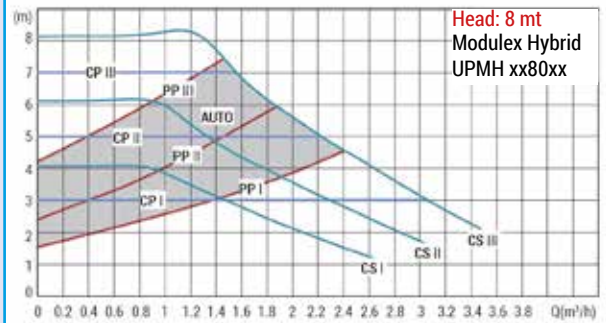


PP  
CP  
CS  
SA



EEI ≤ 0,21

## Performance curves



Same performance features and volume as circulating pumps type HYBRID art. P.110.xx, but with electrical connections type Wilo INT.

**A circulating pump for all uses and replacements:** heating and cooling systems, heat pumps, solar thermal systems – Can be equipped with all the specific and fast electrical connections for replacements.

**WILO compatible and interchangeable:** with the application of a connection plate



WILO PARA 6-43  
WILO PARA 7-50  
WILO YONOS PARA 15-60  
WILO YONOS PARA 15-70  
WILO PARA 6-43 PWM  
WILO PARA 7-50 PWM  
WILO YONOS PARA 15-60 PWN  
WILO YONOS PARA 15-70 PWN

**WILO compatible and interchangeable:** without the application of a connection plate



WILO PARA INT 6-43  
WILO PARA INT 7-50  
WILO PARA INT 6-43 PWM  
WILO PARA INT 7-50 PWM  
WILO YONOS PARA INT 15-7  
WILO YONOS PARA INT 15-6  
WILO YONOS PARA INT 15-7 PWM  
WILO YONOS PARA INT 15-6 PWM



Acronyms KSL – MALL – NFS – TLS on circulating pumps define the various plastic bodies – Please see our range on page 21.

For these replacements we advise the replacement of the motor only: please see Art. P.122.80 on page 8.

**Even with older non-high efficiency models.**

**Grundfos compatible and interchangeable:** with the application of a connection plate

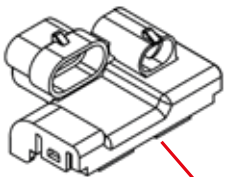


GRUNDFOS UPM3 15-60  
GRUNDFOS UPM3 15-70  
GRUNDFOS UPM3 15-75  
GRUNDFOS UPM3S 15-60  
GRUNDFOS UPM4 15-60  
GRUNDFOS UPM4 15-70  
GRUNDFOS UPM3 AUTO 15-60  
GRUNDFOS UPM3 AUTO 15-70  
GRUNDFOS UPM3 AUTO 15-75  
GRUNDFOS UPM3 FLEX 15-60  
GRUNDFOS UPM3 FLEX 15-70

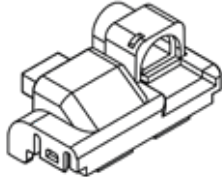
Acronyms CACAO – CAOD – CESA02, etc., on circulating pumps define the various plastic bodies – Please see our range on page 21. For these replacements we advise the replacement of the motor only: please see Art. P.122.80 on page 8.

**Even with older non-high efficiency models.**

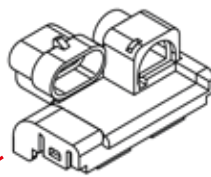
### Grundfos Standard



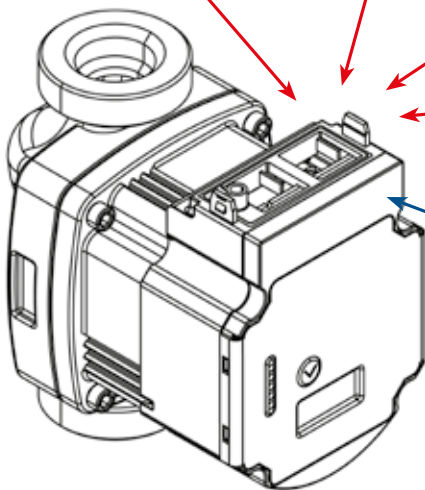
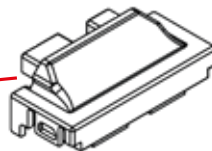
### Wilo Standard



### Grundfos FCI



### Common Style



**Terminal block type WILO INT. Compatible**

Snap-fit sockets for terminal blocks type Wilo INT. Facilitates replacement for maintenance services.

**MODEL REGISTERED WITH UTILITY PATENT**

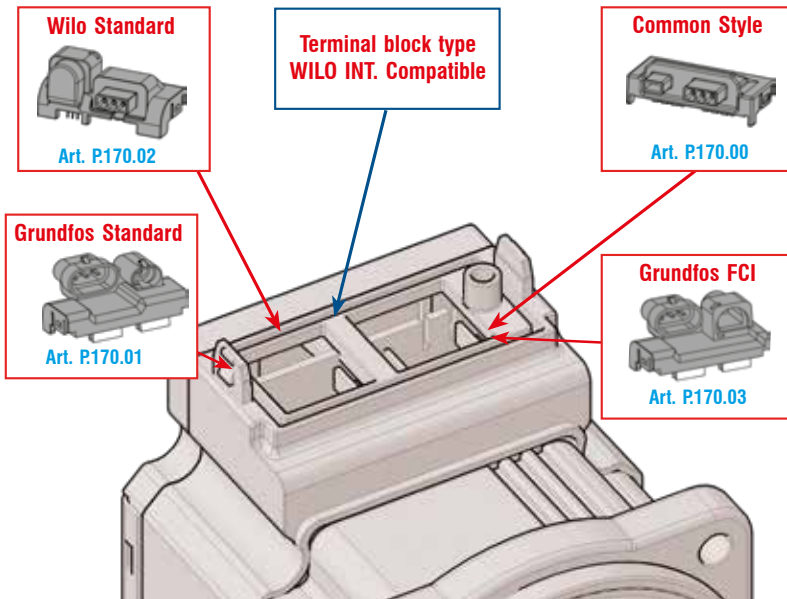
Art. P.112 - ANTARES type Modulex Flex circulating pump with frequency modulation inverter and terminal block Wilo INT compatible, high-efficiency, with wet rotor. With PWM control socket, equipped with AUTO Adapt function, self-regulating with or without cable connection to PWM regulator – Temperature: 2-110 °C.

Max. flow rate: mc/h 4,1 – Head: 8 mt – Satisfies all the needs of a circulating pump in one single product – Power supply: 230 Vac – 4-year warranty.

Item code	"Flex" type	Height H	Connections Ø	W
P.112.89	UPMF 15-80-130	130	1" M.	65
P.112.80	UPMF 25-80-130	130	1 1/2" M.	65
P.112.88	UPMF 25-80-180	180	1 1/2" M.	65

# Electrical connections sockets applied to model FLEX

## Equipment of electrical connections



Art. P.170 - Snap fit socket with electrical connections for circulating pump FLEX Art. P.112 and spare motor Art. P.121.xx and P.122.xx – Protection level IP44.

The socket sticks to the upper side of the terminal block of circulating pump Art. P.112 or of spare motor P.121.84 or P.122.84, and allows the circulator to be equipped with electrical connections with the types below, so to help replacement.

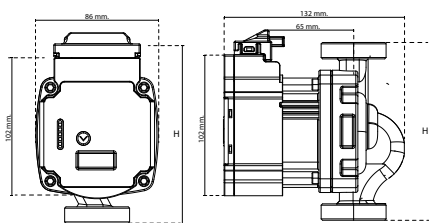
Item code	Type	
P.170.02	<b>Wilo Standard</b> Molex + FCI crescent-shaped	
P.170.01	<b>Grundfos Standard</b> Super Seal + Mini Super Seal	
P.170.03	<b>Grundfos FCI</b> Super Seal + FCI crescent-shaped	
P.170.00	<b>Common Style</b> Molex - FCI rectangular	

For specific connection cables please see on pag. 32.

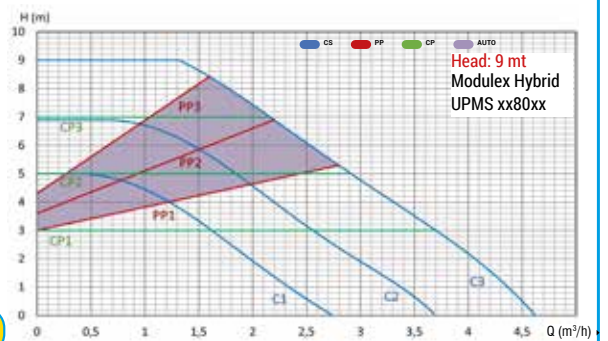
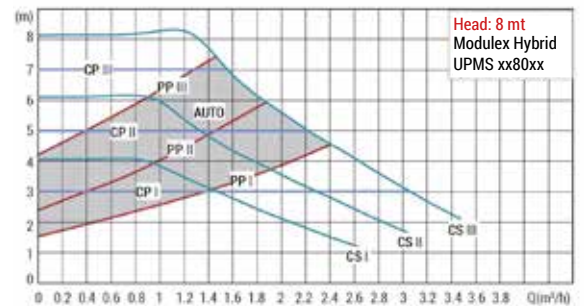
## Circulating pumps for solar thermal systems

### Solar UPMS Model

#### Mod. SOLAR CAST IRON BODY



#### Performance curves



**CIRCULATING PUMP**  
EU Energy Label A  
Energy efficiency index (EEI) < 0,21

**4-year warranty**

**Ethylene glycol max 50%**

Art. P.023 - ANTARES type MODULEX SOLAR high-efficiency circulating pump with frequency modulation inverter and with parametrizable PWM2 or PWM1 control socket, equipped with SELF ADAPT self-regulating function, with or without PWM cable connection. Specifically made for solar powered systems.

Max flow rate: m3/h 4,1. Self-regulating. Satisfies all the needs of a circulating pump all in one product. Comes with gaskets, power cable and PWM socket cable. Power supply 230 Vac – 4-year warranty.

Item code	"Solar" type	Max. head	Height H	Connections Ø	W
P023.89	UPMS 15-80-130	8 mt.	130	1" M.	65
P023.80	UPMS 25-80-130	8 mt.	130	1 1/2" M.	65
P023.99	UPMS 15-90-130	9 mt.	130	1" M.	90
P023.90	UPMS 25-90-130	9 mt.	130	1 1/2" M.	90
P023.98	UPMS 25-90-180	9 mt.	180	1 1/2" M.	90

# Spare motors with PWM and frequency modulation with rotor for domestic circulators

## FLEX frequency conversion type with PWM control and socket – Energy Efficiency Index < 0,21

**CLOCKWISE ROTATION FOR WILO and other brands**

mm. (69)

PWM

PP  
CP  
CS  
SA

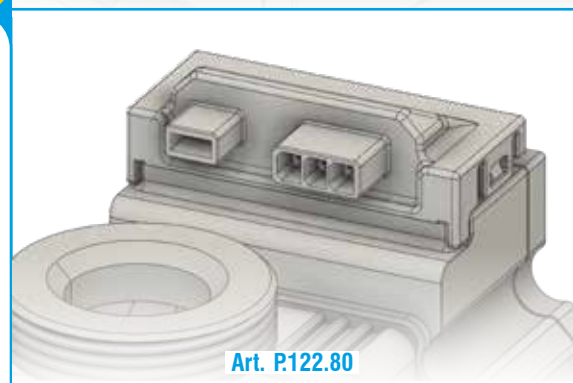
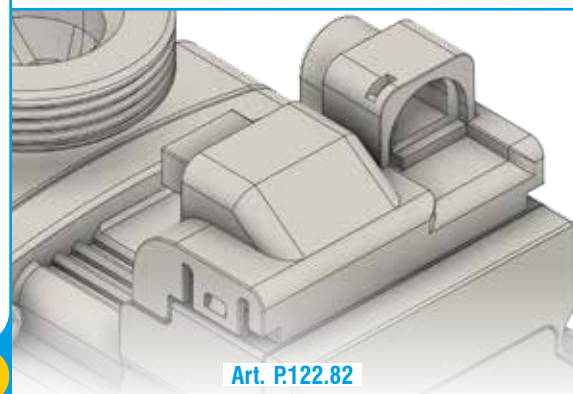
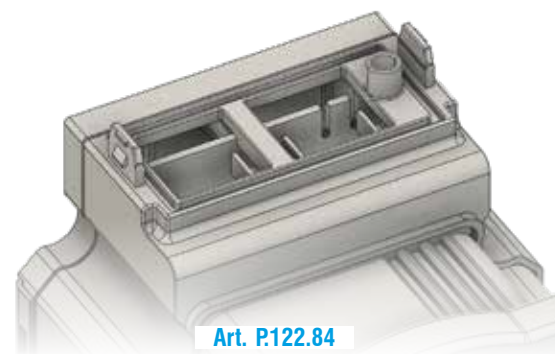
EEI ≤ 0,21

**4-year warranty**

Art. P.122

PDF Adobe

### Compatible interchangeable



Art. P.122 - Universal spare motor with high-efficiency frequency conversion rotor and inverter for replacements on domestic circulators WILO and other brands with clockwise rotation (CW). With PWM control socket and equipped with SELF ADAPT, PP, CP, CS functions. Self-regulating with or without cable connection to PWM controller. 4-year warranty.

Self-regulating. Satisfies all the needs of a circulating pump all in one product. Distance between mounting holes 69 mm. Comes with gaskets\*. Max. flow rate: 4,1 mc/h – Max. head 8 mt. – 4-year warranty.

\*The motor can use the power supply cables already present in the boilers, therefore it is supplied without cables. For extra cables see **page 32**.

#### Table of equipped electrical connections

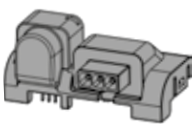
Item code	Connection type
P122.84	Base socket type INT
P122.82	Wilo standard: Molex – FCI crescent
P122.80	Common Style: Molex – FCI rectangular

Models above are already equipped with defined connections

### MODEL REGISTERED WITH UTILITY PATENT

#### Equipment of electrical connections

**Wilo Standard**

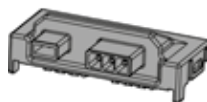


Art. P.122.82

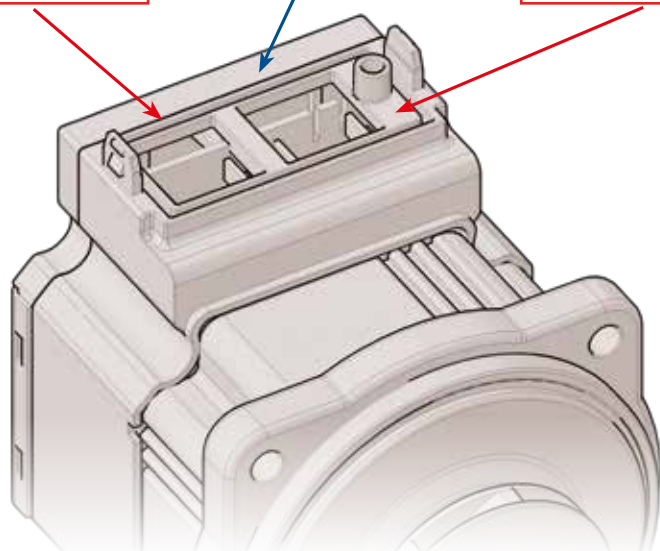
**Terminal block type  
WILO INT.Compatible**

Art. P.122.84

**Common Style**





Art. P.122.80



Art. P.170 - Snap-fit socket with electrical connections for circulator FLEX art. P.122 and spare motors Art. P.121.xx and P.122.xx – Protection Level IP44.

The socket sticks to the upper side of the terminal block of circulating pump Art. P.112 or of spare motor P.122.84, and allows the circulator to be equipped with electrical connections with the types below, so to help replacement.

Item code	Type
P170.02	<b>Wilo Standard</b> Molex + FCI crescent-shaped 
P170.00	<b>Common Style</b> Molex + FCI rectangular 

For specific connection cables please see on pag. 32.

# Flex frequency conversion type with PWM control and socket – Energy Efficiency Index EEI <0,21



## Compatible interchangeable



**Art. P.121 - Universal spare motor with rotor and frequency conversion and inverter for replacements on domestic circulators GRUNDFOS and other brands with anti-clockwise rotation (CW). With PWM control socket, equipped with SELF ADAPT, PP, CP, CS functions. Self-regulating with or without cable connection to PWM controller. 4-year warranty.**

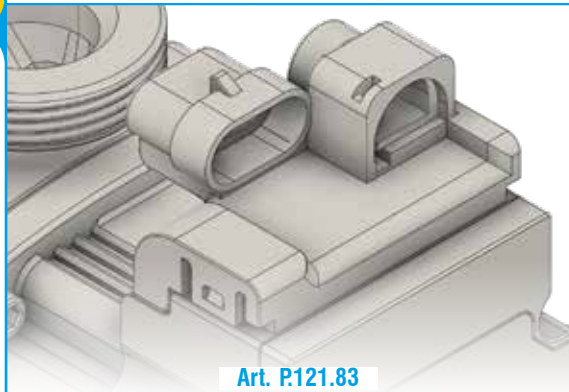
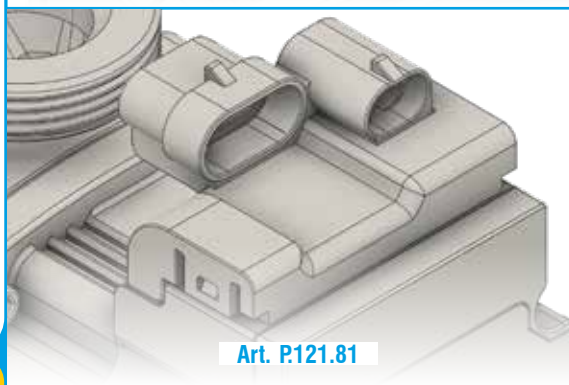
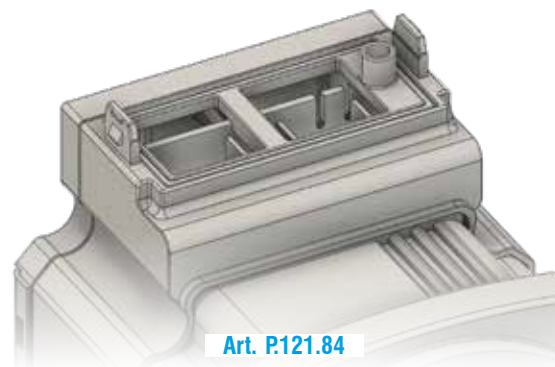
*Self-regulating. Satisfies all the needs of a circulating pump all in one product. Distance between mounting holes 68 mm. Comes with gaskets\*. Max. flow rate: 4,1 mc/h – Max. head 8 mt. – 4-year warranty.*

*\*The motor can use the power supply cables already present in the boilers, therefore it is supplied without cables. For extra cables see page 32.*

### Table of equipped electrical connections

Item code	Connection type
P121.84	Base socket type INT
P121.81	Grundfos standard: SuperSeal – Mini SuperSeal
P121.83	Grundfos FCI: SuperSeal – FCI crescent

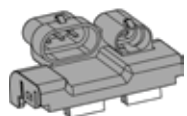
**Models above are already equipped with defined connections**



## MODEL REGISTERED WITH UTILITY PATENT

### Equipment of electrical connections

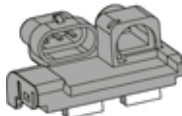
#### Grundfos Standard



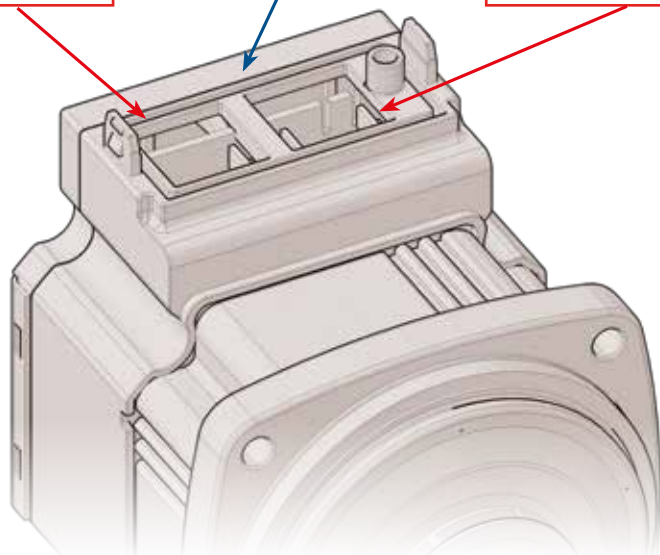
**Art. P.121.81**

**Terminal block type  
Compatible WILO INT.  
Art. P.121.84**

#### Grundfos FCI



**Art. P.121.83**



**Art. P.170 - Snap-fit socket with electrical connections for FLEX circulator art. P.112 and spare motor Art. P.121.xx and P.122.xx – Protection level IP44.**

*The socket sticks to the upper side of the terminal block of circulating pump Art. P.112 or of spare motors P.121 and P.122 and allows the circulator to be equipped with electrical connections with the types below, so to help replacement.*

Item code	Type	
P170.01	<b>Grundfos Standard</b> Super Seal + Mini Super Seal	
P170.03	<b>Grundfos FCI</b> Super Seal + FCI crescent	

For specific connection cables see on pag. 32.

# High efficiency circulating pumps without PWM

## "AlfaMax" small flow rate series 5-6 mt. with side electronic equipment



2-year warranty



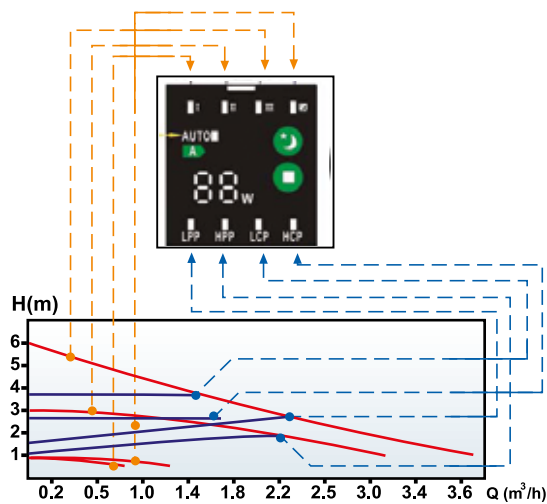
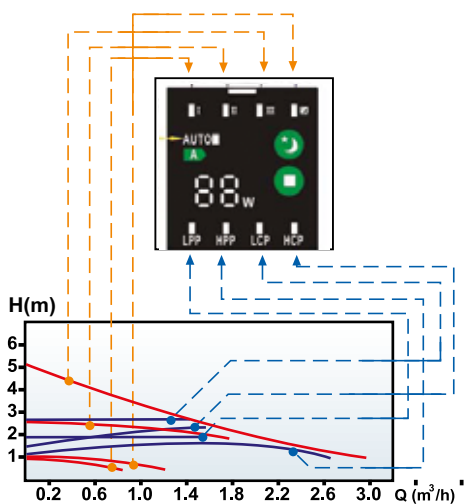
CIRCULATING PUMP  
EU Energy Label A  
Energy Efficiency EEI < 0,20

Art. P.065

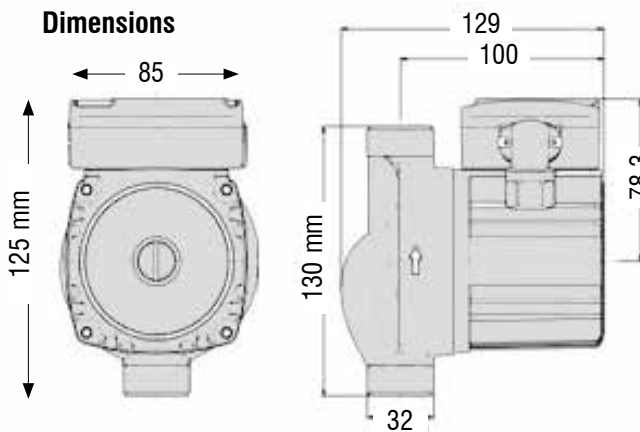


AS --/ 50

AS --/ 60



### Dimensions



Art. P.065 - - "AlfaMax" wet rotor, high energy efficiency circulating pump, EU Energy Label A and with EEI energy efficiency coefficient less than 0.20. With side electronic equipment.

Wet rotor. 2-year warranty. Already compliant with the new European ERP directive 200/125/EC. For insulating shell, please see art. P.070 on page 25.

Item code	"AlfaMax" type	Max head mt.	Max flow rate lt./min.	Height H	Connections Ø	W
P065.59	AS 15/50	5	50,5	130	1" M.	32
P065.50	AS 25/50			130	1 1/2" M.	32
P065.69	AS 15/60	6	60	130	1" M.	45
P065.60	AS 25/60			130	1 1/2" M.	45

# "AlfaMax" small flow rate series 6-8 mt. with up front electronic equipment



**CIRCULATING PUMP**  
**EU Energy Label A**  
**Energy Efficiency EEI < 0.20**

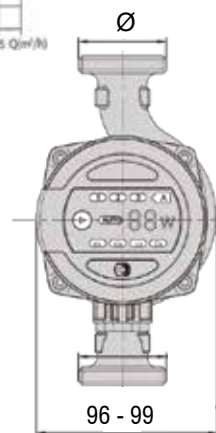
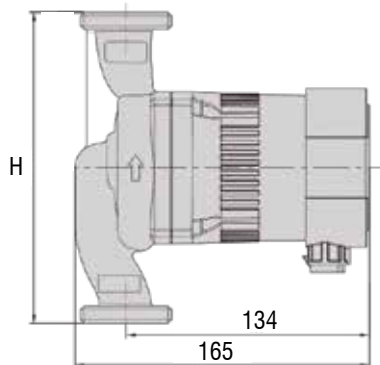
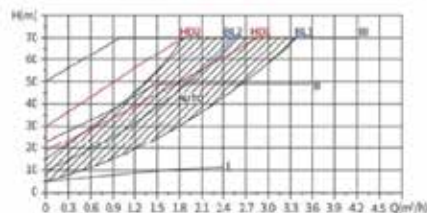
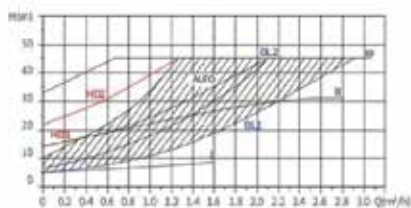
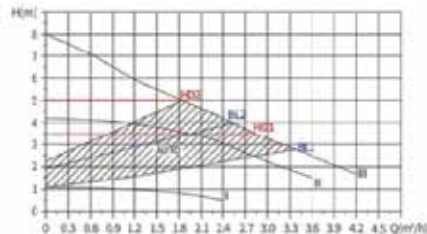
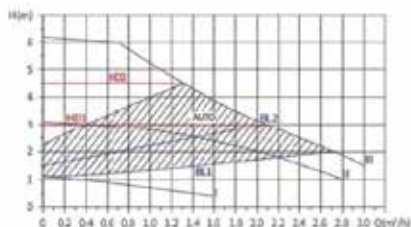


**2-years warranty**

**Art. P064**

## RS --/ 60

## RS --/ 80



**Art. P064 - - "AlfaMax" wet rotor high energy efficiency circulating pump, , EU Energy Label A and with EEI energy efficiency coefficient lower than 0.20. With display of electricity consumption.**

*Wet rotor. 2-year warranty. Already compliant with the new European ERP directive 200/125/EC. For the insulating shell see art. P070 on page 25.*

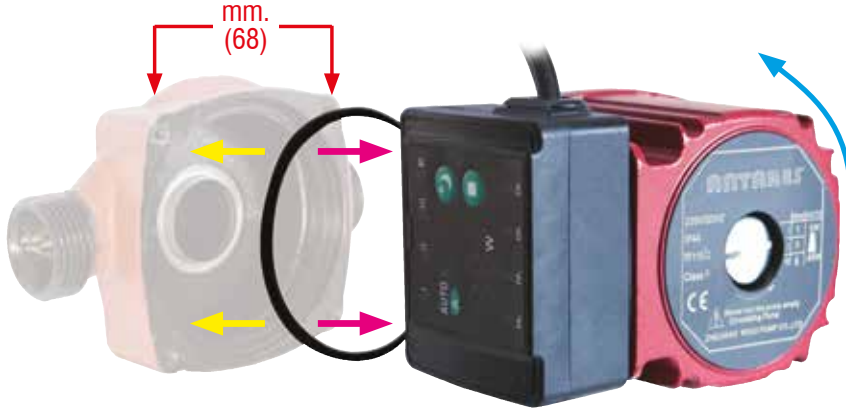
Item code	"AlfaMax" type	Max head mt.	Max flow rate lt./min.	Height H	Connections Ø	W
P064.69	RS 15/60	6	46	130	1" M.	45
P064.64	RS 20/60		46	130	1 1/4" M.	45
P064.60	RS 25/60		53	130	1 1/2" M.	45
P064.68	RS 25/60		53	180	1 1/2" M.	45
P064.62	RS 32/60		66	180	2" M.	45
P064.89	RS 15/80	8	70	130	1" M.	70
P064.84	RS 25/80		70	130	1 1/2" M.	70
P064.80	RS 25/80		70	180	1 1/2" M.	70
P064.82	RS 32/80		83	180	2" M.	70

**ANTI-CLOCKWISE ROTATION FOR GRUNDFOS and other brands**

**Center-to-center distance between holes 68 mm**



Energy efficiency index EEL < 0,20



Art. P074.60

Art. P074.60 - Universal high-efficiency spare motor, with rotor, for replacement on domestic water circulator pumps WILO, ANTARES and other brands. With side electronic equipment and display of electrical consumption. Comes with screws. Anti-clockwise rotation.

Distance between mounting holes 68 mm. Comes with selectable speed controller, which allows to reach 4, 5 and 6 mt. head. 230 Vac. Max head 6 mt., flow rate 3/3 mc/h.

**REPLACING THE MOTOR OFFERS MANY BENEFITS:**

- Speed and ease due to the replacement of the motor only
- Less stocking and less fixed assets

**UNIVERSAL MOTOR WITH ROTOR:**

2 models (anti-clockwise and clockwise) that allow interchangeability on almost every circulators for domestic water on the market. The integrated electronic inverter will automatically regulate the head in relation to the system's needs.

**Grundfos compatible interchangeable for configurations without PWM**

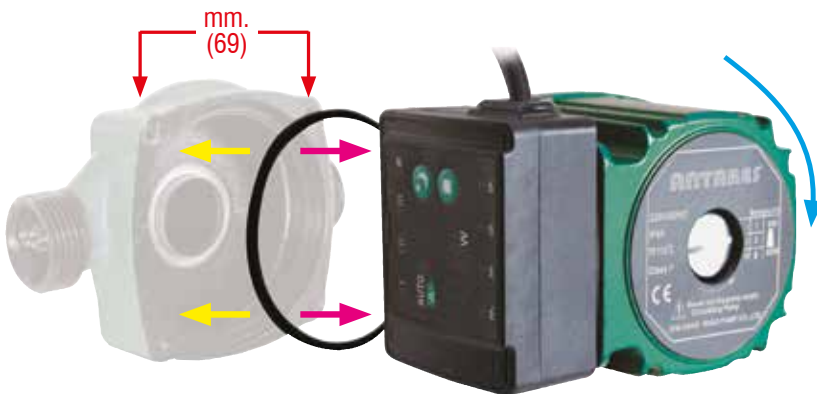


N.B.

**For functions and technical features, please see Art. P.065 on previous pages**

**CLOCKWISE ROTATION FOR WILO and other brands**

**Center-to-center distance between holes 69 mm**



Art. P075.60

Art. P075.60 - Universal high efficiency spare motor, with rotor, for replacement on domestic water circulator pumps WILO, ANTARES and other brands. With side electronic equipment and display of electrical consumption. Comes with screws. Clockwise rotation.

Distance between mounting holes 69 mm. Comes with selectable speed controller, which allows to reach 4, 5 and 6 mt. head. 230 Vac. Max head 6 mt., flow rate 3/3 mc/h.

**REPLACING THE MOTOR OFFERS MANY BENEFITS:**

- Speed and ease due to the replacement of the motor only
- Less stocking and less money immobilization

**UNIVERSAL MOTOR WITH ROTOR:**

2 models (anti-clockwise and clockwise) that allow interchangeability on almost every circulators for domestic water on the market. The integrated electronic inverter will automatically regulate the head in relation to the system's needs.

**WILO compatible interchangeable for configurations without PWM**



N.B.

**For functions and technical features, please see Art. P.065 on previous pages**

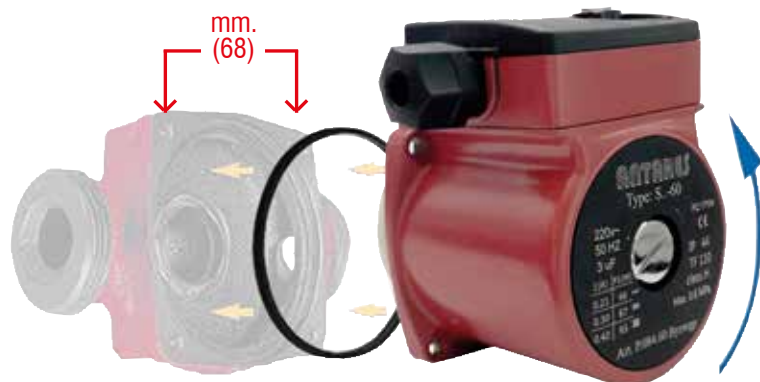
# Universal spare motors with rotor for low efficiency domestic water pumps

**N.B.**

*These products are to be considered spare parts of a circulator, and for that they can be installed, as they do not fall under EuP 2016 directive, which refers to complete circulators and not to old circulators spare parts.*

## ANTI-CLOCKWISE ROTATION FOR GRUNDFOS and other brands

*Center-to-center distance between holes 68 mm*



Art. P.084.60

Art. P.084.60 - Universal spare motor with rotor for replacement on domestic water circulating pumps, "GRUNDFOS," "MYSON," "ANTARES" and other brands. Comes with screws. Anti-clockwise rotation.

*Distance between mounting holes 68 mm. Comes with selectable speed controller, which allows to adjust the head to the system's needs. Max. head 6 mt. Flow rate: 3,3 mc/h.*

### REPLACING THE MOTOR OFFERS MANY BENEFITS:

- Speed and ease due to the replacement of the motor only
- Less stocking and less fixed assets

### UNIVERSAL MOTOR WITH ROTOR:

2 models (anti-clockwise and clockwise) that allow interchangeability on almost every circulators for domestic water on the market. The integrated electronic inverter will automatically regulate the head in relation to the system's needs.

### Grundfos compatible interchangeable



**N.B.**

From our website:  
[www.antaresint.com](http://www.antaresint.com) you can download the installation manual

### REPLACING THE MOTOR OFFERS MANY BENEFITS:

- Speed and ease due to the replacement of the motor only
- Less stocking and less money immobilization

### UNIVERSAL MOTOR WITH ROTOR:

2 models (anti-clockwise and clockwise) that allow interchangeability on almost every circulators for domestic water on the market. The integrated electronic inverter will automatically regulate the head in relation to the system's needs.

### WILO compatible interchangeable



## CLOCKWISE ROTATION FOR WILO and other brands

*Center-to-center distance between holes 69 mm*



Art. P.085.60

Art. P.085.60 - Universal spare motor with rotor for replacement on domestic water circulating pumps "WILO," "WSC" and other brands, comes with screws. Clockwise rotation.

*Distance between mounting holes 69 mm. Comes with selectable speed controller, which allows to adjust the head to the system's needs. Max. head 6 mt. Flow rate: 3,3 mc/h.*

For additional info on interchangeability

@ [uk@antaresint.com](mailto:uk@antaresint.com)

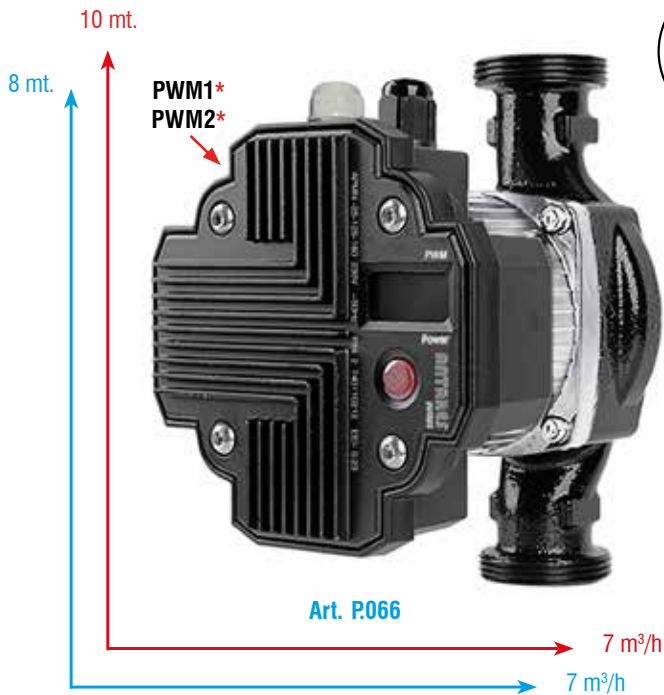
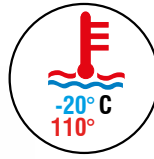


# Medium flow rate, high efficiency PWM circulators

## AlfaMaior 8-10 mt. serie with frontal electronic equipment

**CIRCULATOR PUMP**  
**EU Energy Label A**  
**Energy Efficiency Index**  
**EI < 0,23**

**3-YEAR WARRANTY.**



### USAGE :

- ▶ Boilers
- ▶ Heat pumps
- ▶ Air-conditioning systems
- ▶ Solar power systems
- ▶ Geothermal systems
- ▶ Biomass heating systems
- ▶ Heat transfer units
  
- ▶ Compliant to European ERP directives with energy efficiency index < 0,23
- ▶ Frequency modulation, with PWM1\* or PWM2\* controller that can be set for external regulation.

### RELEVANT TECHNICAL DATA:

- ▶ Max temp. pumped liquid: - 20° - 110° C
- ▶ \* With electrical stator filled with epoxy resin to avoid condensation and to improve motor's cooling.

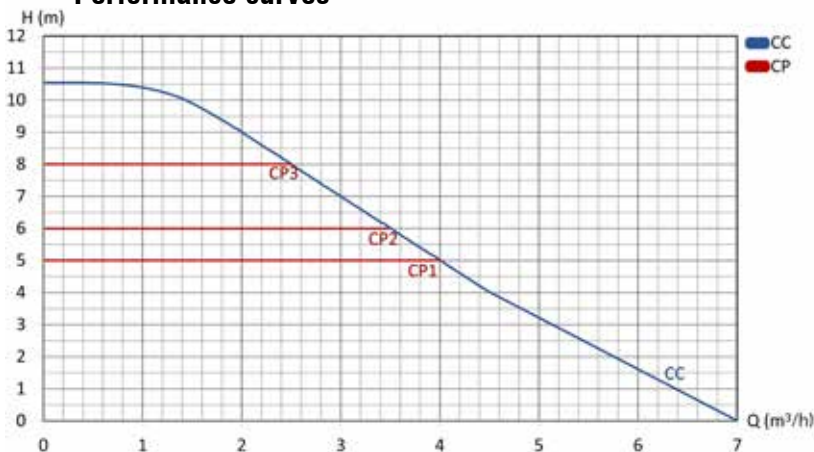
### Especially suited for heat pumps:

- ▶ Electric box with wide heatsink
- ▶ Liquid temperature: - 20° - 110° C.

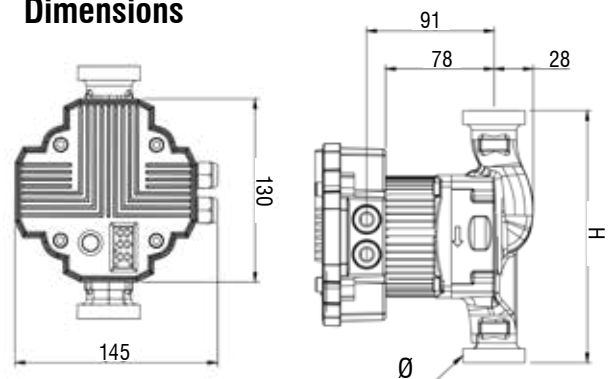
### GENERAL DATA:

- ▶ Voltage 220 Vac
- ▶ Max. Pressure: 10 bar
- ▶ Protection level: IP 44
- ▶ \* With selectable PWM1 or PWM2 controller for external regulation

### Performance curves



### Dimensions



Art. P.066 - "AlfaMaior" wet rotor, high efficiency circulating pump, Energy Efficiency Index (EEI) below 0,20. With frontal electronic equipment. Comes with insulating shell.

Compliant to European directive 200/125/CE. Flow rate and head as stated in the chart below. 3-year warranty.

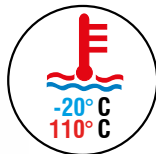
Item code	Type	Max. head mt	Connections Ø	Max flow rate m3/h	Height H mm.	Power
P.066.12	APM 25/8	8	1 1/2"	7	180	80 W
P.066.20	APM 32/8	8	2"	7		
P.066.42	APMN 25/105	10	1 1/2"	7	180	140 W
P.066.52	APMN 25/105	10	1 1/2"	7		
P.066.70	APMN 32/105	10	2"	7		

\* Only for APMN models

# AlfaMaior 12 mt. serie with frontal electronic equipment

**CIRCULATOR PUMP**  
**EU Energy Label A**  
**Energy Efficiency Index**  
**EEl < 0,23**

**3-YEAR WARRANTY.**



12 mt.



Art. P.076

8 m<sup>3</sup>/h

**Especially suited for heat pumps:**

- ▶ **Electric box with wide heatsink**
- ▶ **Liquid temperature: - 20° - 110° C.**

## USAGE :

- ▶ Boilers
- ▶ Heat pumps
- ▶ Air-conditioning systems
- ▶ Solar power systems
- ▶ Geothermal systems
- ▶ Biomass heating systems
- ▶ Heat transfer
- ▶ **Compliant to European ERP directives with energy efficiency index < 0,23**
- ▶ **Frequency modulation, with PWM1 or PWM2 controller that can be set for external regulation.**

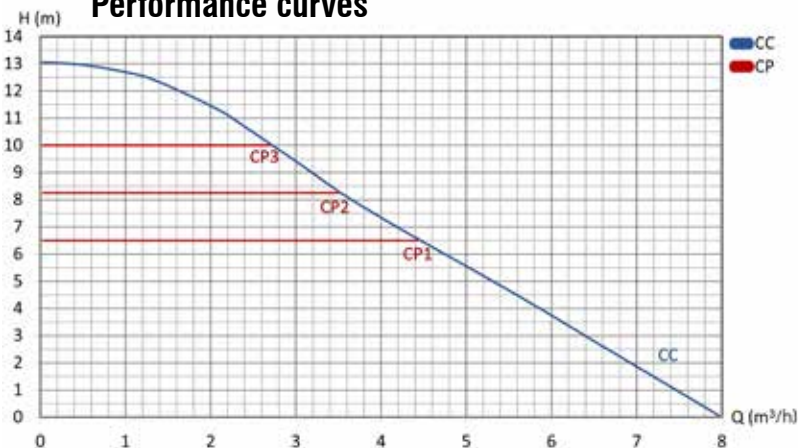
## RELEVANT TECHNICAL DATA:

- ▶ **Max temp. pumped liquid: -20° - 110° C**
- ▶ **With electrical stator filled with epoxy resin to avoid condensation and to improve motor's cooling.**

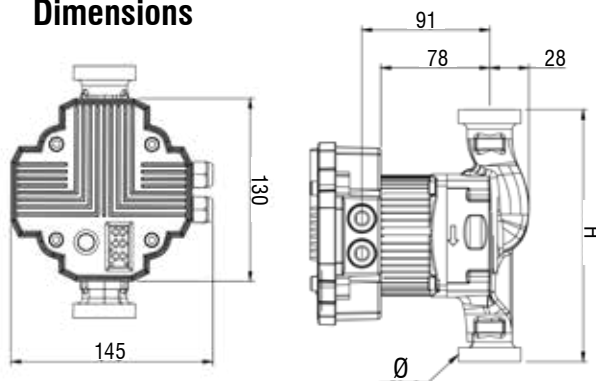
## GENERAL DATA:

- ▶ **Voltage 220 Vac**
- ▶ **Max. Pressure: 10 bar**
- ▶ **Protection level: IP 44**
- ▶ **With selectable PWM1 or PWM2 controller for external regulation**

## Performance curves



## Dimensions



Art. P.076 - "AlfaMaior" wet rotor, high efficiency circulating pump, with Energy Efficiency Index (EEl) below 0,23. With frontal electronic equipment. Comes with insulating shell.

Compliant to European directive 200/125/CE. Flow rate and head as stated in the chart below. 3-year warranty. Power 185 W.

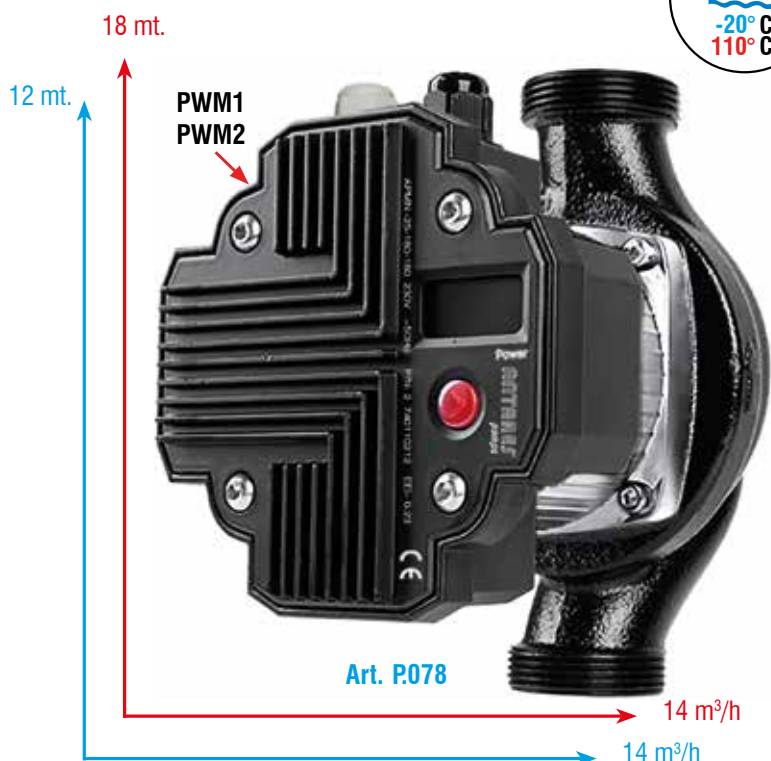
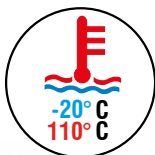
Item code	Type	Max. head mt	Connections Ø	Max flow rate m <sup>3</sup> /h	Height H mm.
P.076.02	APMN 25/125	12	1 1/2"	8	130
P.076.12	APMN 25/125	12	1 1/2"	8	180
P.076.20	APMN 32/125	12	2"	8	

# Medium-high flow rate, high efficiency PWM circulators

## Medium-high flow rate AlfaPlus 12-18 serie with frontal electronic quipment

**CIRCULATOR PUMP**  
EU Energy Label A  
Energy Efficiency Index  
EEI < 0,23

**3-YEAR WARRANTY.**



### USAGE :

- ▶ Boilers
- ▶ Heat pumps
- ▶ Air-conditioning systems
- ▶ Solar power systems
- ▶ Geothermal systems
- ▶ Biomass heating systems
- ▶ Heat transfer
  
- ▶ Compliant to European ERP directives with energy efficiency index < 0,23
- ▶ Frequency modulation, with PWM1 or PWM2 controller that can be set for external regulation.

### RELEVANT TECHNICAL DATA:

- ▶ Max temp. pumped liquid: -20° - 110° C
- ▶ With electrical stator filled with epoxy resin to avoid condensation and to improve motor's cooling.

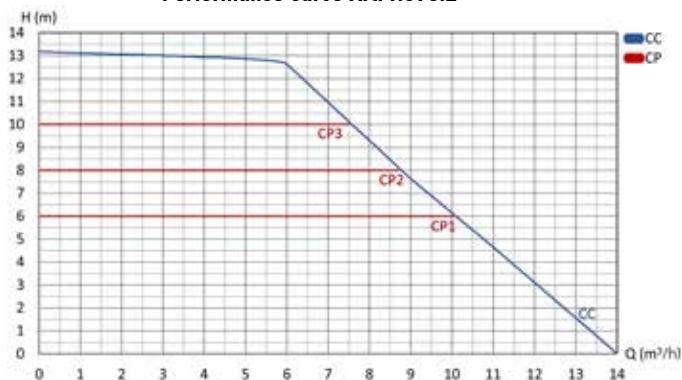
### GENERAL DATA:

- ▶ Voltage 220 Vac
- ▶ Max. Pressure: 10 bar
- ▶ Protection level: IP 44
- ▶ With selectable PWM1 or PWM2 controller for external regulation

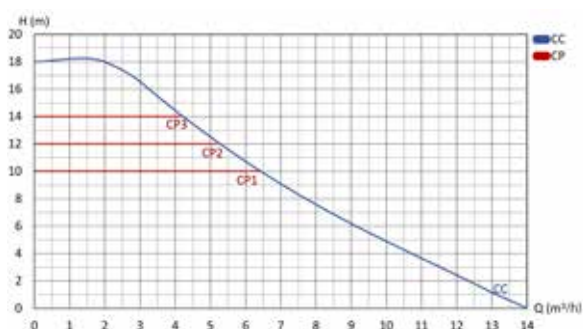
### Especially suited for heat pumps:

- ▶ Electric box with wide heatsink
- ▶ Liquid temperature: - 20° - 110° C.

Performance curve Art. P.078.2-



Performance curve Art. P.078.8-

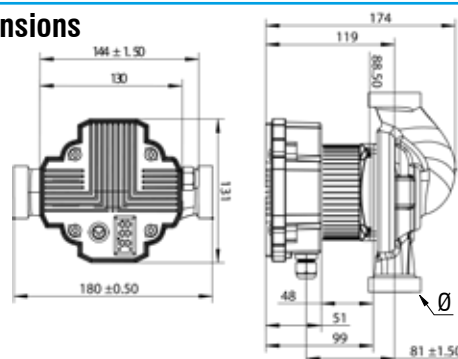


Art. P.078 - "AlfaMaior" wet rotor, high efficiency circulating pump with PWM, suitable for heat pumps, with frontal electronic equipment. Comes with insulating shell. Height H mm 180.

Compliant to European directive 200/125/CE. Flow rate and head as stated in the chart below. 3-year warranty. height 180 mm. Power 360 W.

Item code	Type	Max. head mt	Connections Ø	Max flow rate m³/h.
P.078.20	APMN 25/120	12	1 1/2"	14
P.078.22	APMN 32/120	12	2"	14
P.078.80	APMN 25/180	18	1 1/2"	14
P.078.82	APMN 32/180	18	2"	14

### Dimensions



# High flow rate, high efficiency flanged circulating pumps

**DN 40**



Energy Efficiency Index < 0,23



18 mt.

**2-YEAR WARRANTY**



Art. P079.18

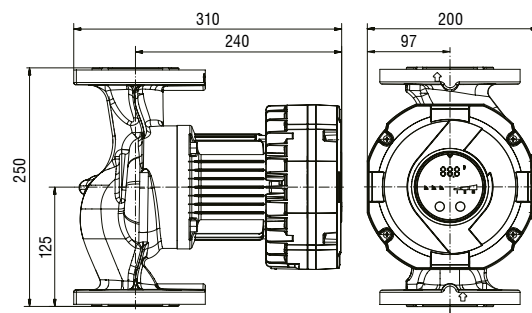
→ 30 m³/h

Art. P079.18 - ANTARES type "AlfaMega" 40 flanged DN 40, wet rotor, high efficiency circulating pump. Single-phase, 230 Vac with frequency modulation. Cast-iron body.

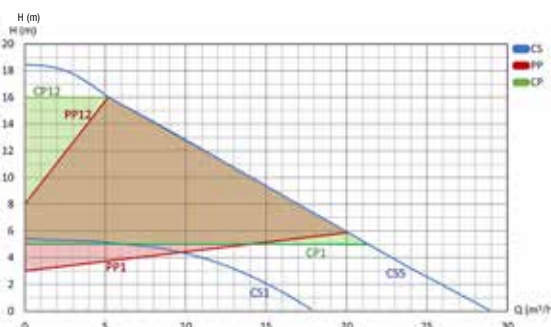
With proportional pressure control, constant pressure control.

Item code	Type	Max. head mt	Max flow rate m³/h	Power W	Height mm.
P079.18	AlfaMega 40/18	18	30	670	250

## Dimensions



## Performance curve Art. P079.18



For additional info on interchangeability

@ [uk@antaresint.com](mailto:uk@antaresint.com)



**DN 50**



Energy Efficiency Index < 0,23



18 mt.  
8 mt.

**2-YEAR WARRANTY**



Art. P080

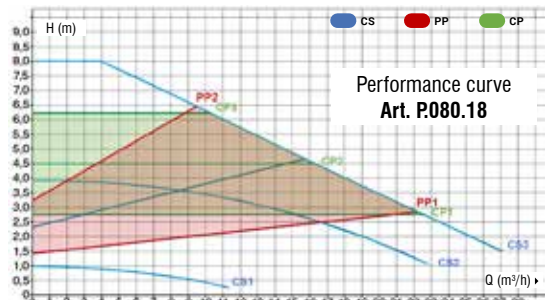
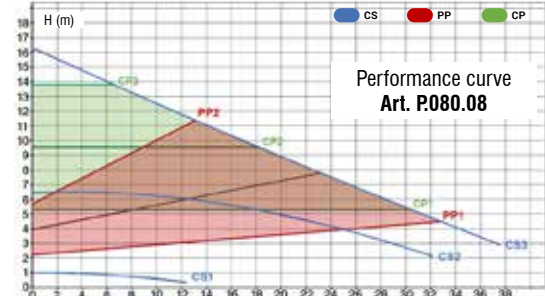
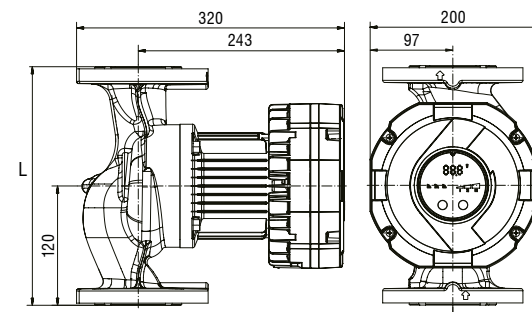
→ 38 m³/h  
→ 28 m³/h

Art. P080 - ANTARES type "AlfaMega" 50 flanged DN 50, wet rotor, high efficiency circulating pump. Single-phase, 230 Vac with frequency modulation. Cast-iron body.

With proportional pressure control, constant pressure control, constant flow rate control.

Item code	Type	Max. head mt	Max flow rate m³/h	Power W	Height mm. L
P080.08	AlfaMega 50/8	8	28	330	240
P080.18	AlfaMega 50/18	18	38	850	280

## Dimensions



# DN 65



Energy Efficiency Index < 0,23



**2-YEAR WARRANTY**

12 mt.



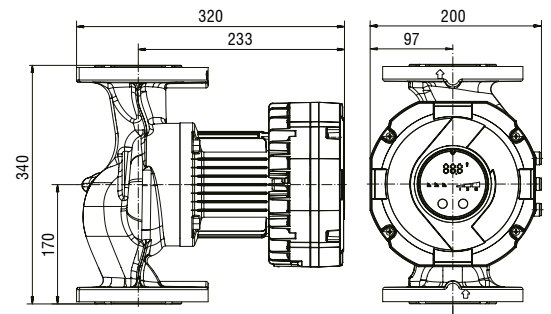
Art. P.081.12

44 m<sup>3</sup>/h

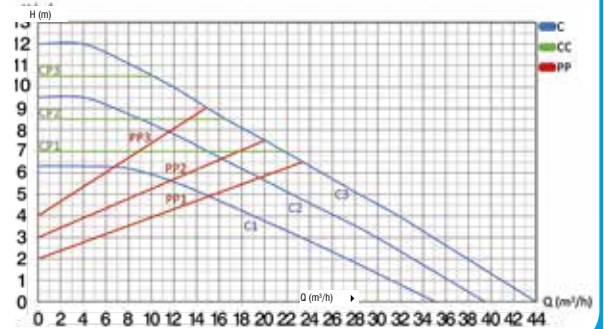
Art. P.081.12 - ANTARES type "AlfaMega" 65 flanged DN 65, wet rotor, high efficiency circulating pump. Single-phase, 230 Vac with frequency modulation. Max. flow rate: 44 m<sup>3</sup>/h – Head 12 mt. Cast-iron body. Center-to-center distance: 340 mm.

With proportional pressure control, constant pressure control – Power W: 1350.

## Dimensions



Performance curve Art. P.081.12



For additional info on interchangeability



@ [uk@antaresint.com](mailto:uk@antaresint.com)

# DN 80



Energy Efficiency Index < 0,23



**2-YEAR WARRANTY**

18 mt.  
8 mt.



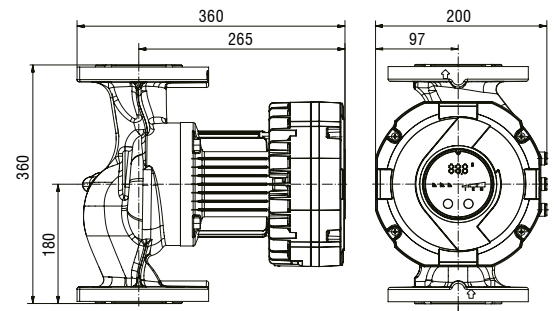
Art. P.082.08

38 m<sup>3</sup>/h  
28 m<sup>3</sup>/h

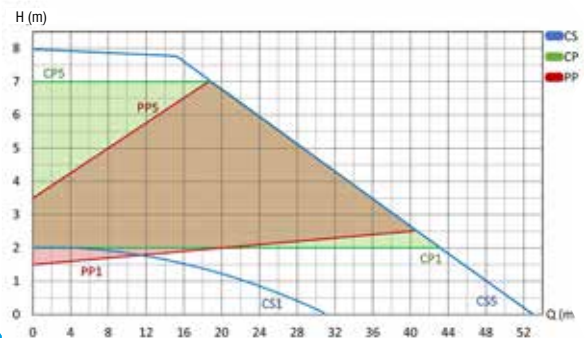
Art. P.082.08 - ANTARES type "AlfaMega" 80 flanged DN 80, wet rotor, high efficiency circulating pump. Single-phase, 230 Vac with frequency modulation. Max. flow rate: 54 m<sup>3</sup>/h – Head 8 mt. Cast-iron body. Center-to-center distance: 360 mm.

With proportional pressure control, constant pressure control control. – Power W: 915.

## Dimensions



Performance curve Art. P.081.12



Our technical office is available for more detailed information on the use of our products.

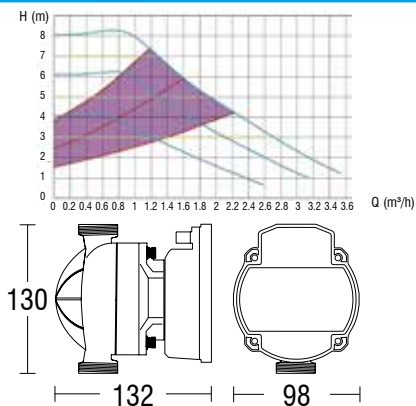
@ [uk@antaresint.com](mailto:uk@antaresint.com)

# Recirculating pumps for domestic water



**Plastic body**

Art. P061.80



**2-YEAR WARRANTY**

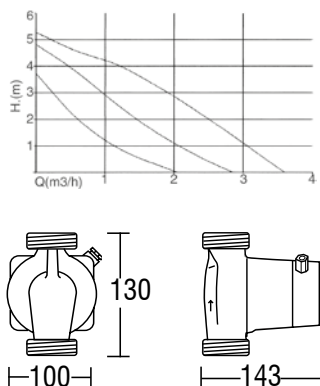
Art. P061.80 - High efficiency recirculating pump ANTARES MODULEX H for hot domestic water. 230. Plastic body. Technical and performance characteristics like Art. P110 on page 4.

Coupling 1" M. Height of couplings: 130.



**Bronze body**

Art. P090.00



**2-YEAR WARRANTY**

Art. P090.00 - Recirculating pump ANTARES DHW for domestic hot water, with bronze body. - 230 V - 50 Hz - Head: 6 mt. - Flow rate: 3,3 m³/h.

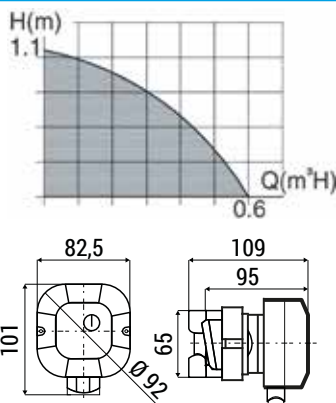
Couplings: 1 1/2" M. - 96 W. Maximum pressure: 10 bar.



**Stainless steel body**



Art. P093.02



**2-YEAR WARRANTY**

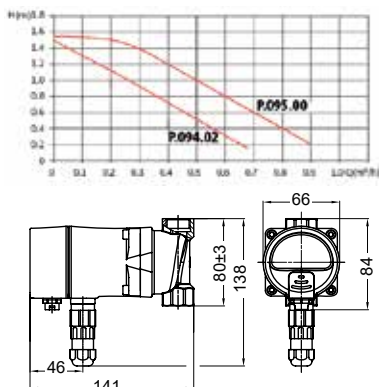
Art. P093.02 - High efficiency circulating pump ANTARES HOT CIRCLE for hot domestic water W= 9 - 230 V. - 50 Hz. Stainless steel body.

Connections: 1/2" F. - Maximum pressure 10 bar - Head: 1.1 m. Flow rate: 10 litres/min. - 2-years warranty.



**Brass body**

Art. P094.02



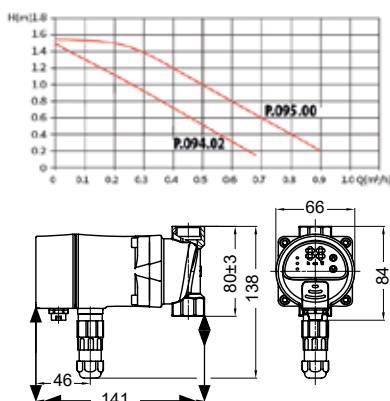
**2-YEAR WARRANTY**

Art. P094.02 - High efficiency recirculating pump for domestic hot water ANTARES type HOTMATIC 15-15 with brass body. Consumption: 5 W - 230 Vac. - 2 year warranty.

Connections: 1/2" F. F. - Comes with insulating shell. With temperature sensor. Flow rate: 0.9 m³/h - Head 1.5 m.



Art. P095.00



**2-YEAR WARRANTY**

Art. P095.00 - High efficiency ANTARES type HOTMATIC recirculating pump for domestic hot water. 15-15 with brass body. Consumption: 8 W - 230 Vac. - 2 year warranty.

Couplings: 1/2" F. F. - Complete with insulating shell. With temperature sensor. Flow rate: 0.9 m³/h .Head 1.5 m. With electronic control display with programming for:

- Operation at hourly intervals over 24 hours.
- Operation with temperature control
- Washing function, to avoid bacterial colonies formation

## Automatic pressure boosting pumps

2-year warranty

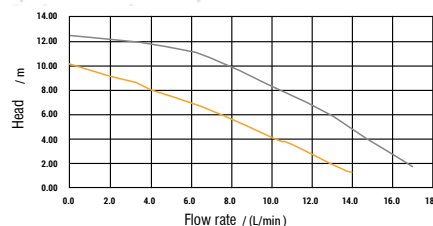
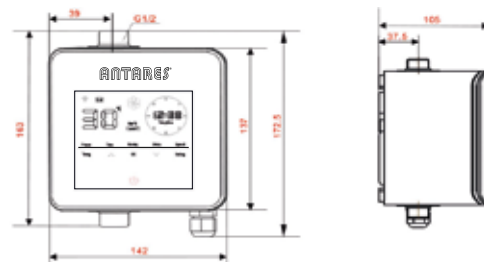


Art. P202.02

Application:



Ideal for large showers



Art. P202.02 - Pressure boosting pump for domestic hot water – 18 l/m.

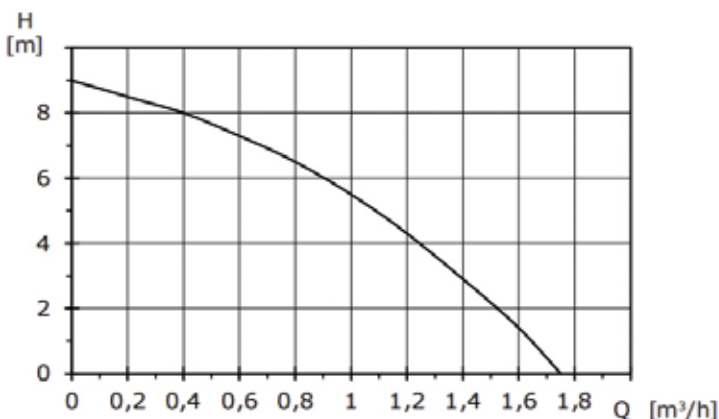
High efficiency pressure boosting pump for domestic hot water. Brass body. Connections: 1/2" M. - 1/2" M. 230 Vac - 18 litres. per minute - Head: 12 m.



2-year warranty



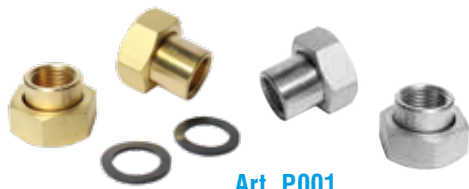
Art. P204.03



Art. P204.03 - ANTARES domestic water pressure boosting pump type BOOSTER PRESSION 15-9AB with brass body. - 2 year warranty.

3/4" connections, complete with brass pipe unions. Length from coupling to coupling: 160 mm. With check-valve and integrated flow switch, which allows automatic start and stop. Power: 120 W - 230 Vac. Head: 9 m. - Flow rate: 1.78 m³/h. Designed to increase the pressure of domestic water supplied from an external source and make it available for showers, taps and other withdrawal points.

## Joint fittings for circulating pumps



Art. P001

Art. P001 - Pair of pipe unions for circulators, composed of swivels, spigots and gaskets.

Swivel F.	1" F.	1" F.	1 1/2" F.	1 1/2" F.	1 1/2" F.	2" F.
Spigot	1/2" F.	3/4" M.	1" M.	1" F.	1 1/4" M.	1 1/4" F.
Material	Brass	Brass	Brass	Steel	Steel	Steel
Item code	P001.52	P001.54	P001.11	P001.10	P001.14	P001.24



Art. P002

Art. P002 - Brass pipe union with nylon insertion check-valve that can be positioned in both directions and gasket.

To guarantee a single flow direction as to avoid possible contamination. Comes with gaskets.

Nut	3/4" F	1" F	1 1/4" F	1 1/2" F	1 1/2" F
Spigot	1/2" M	3/4" M	1" M	1" M	1 1/4" M
Item code	P002.02	P002.03	P002.30	P002.10	P002.14

Art. P003



Art. P003 - Internally inserted plastic check-valve, equipped with stainless steel spring with circular seal with O-ring.

Diameter Ø	10 mm	15 mm	20 mm	25 mm	32 mm
Item code	P003.10	P003.15	P003.20	P003.25	P003.32

## Plastic-body circulating pumps for boilers

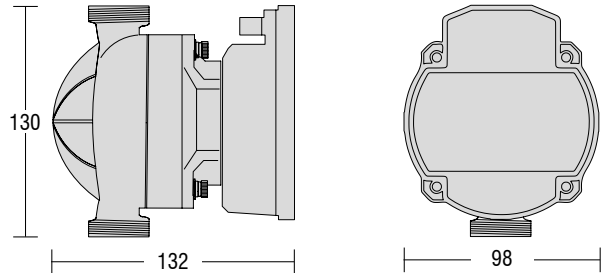
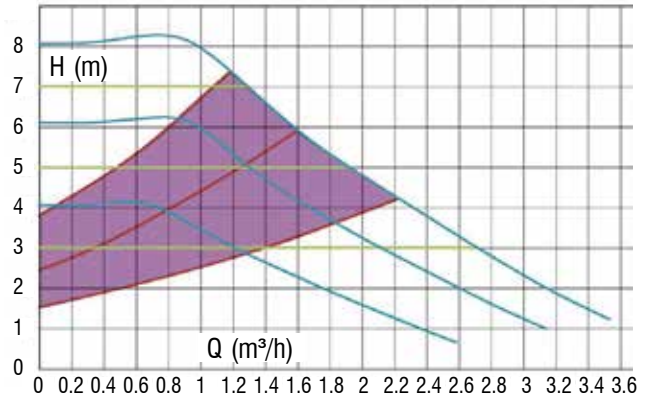
**PLASTIC-COMPOUND  
BODY H 130 Ø 1"**

8 mt.



Art. P.061.80

4,1 m<sup>3</sup>/h



Art. P061.80 - Wet rotor, high efficiency ANTARES Modulex Hybrid type circulating pump, with frequency modulation inverter. With PWM control socket, with SELF ADAPT self-regulating function with or without cable connection to PWM controller. Plastic body.

Max. Flow rate: m<sup>3</sup>/h, 4,1. Self-regulating. – Satisfies all the needs of a circulating pump in one single product. Connections: 1" M. – Height of connections: 130. – 230 Vac. – Complete with connection cables. Technical and performance characteristics are the same as Art.P.110.

## Compatible ARISTON MTS - WILO MTSL - TACO - Plastic bodies

**NEW**

**COMPATIBLE ARISTON - TACO  
DC 325 Vdc with PWM.**

**325 Vdc**

**PWM**



EEl ≤ 0,21

**4-year warranty**

Art. P.031.66

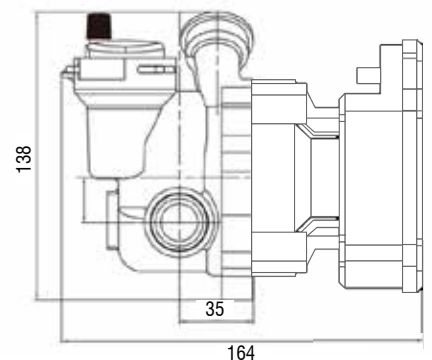


**Compatible, interchangeable  
ARISTON - TACO 325 Vdc with PWM**



**For boilers Alteas One NET, Cares Premium,  
Cares S., Cares X, Clas One, Clas X, Genus One.  
Ref. 65116908-03**

**Dimensions**



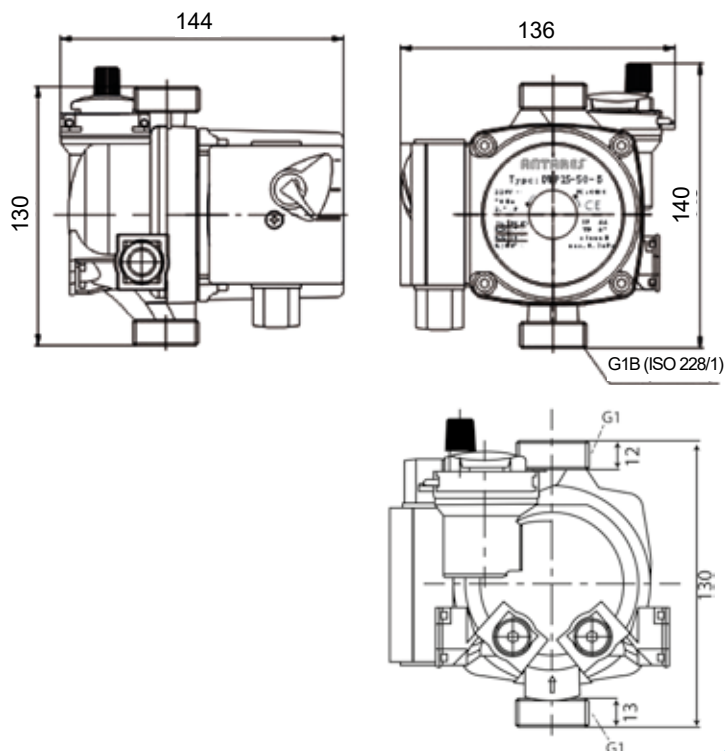
Art. P.031.66 - ANTARES circulation pump with plastic body with air separator and automatic air vent, DC 325 Vdc with PWM, compatible for ARISTON boilers - with connection cables.

Compatible Ariston reference codes: 65116908-03 - 65116908  
Compatible TACO ES 2PK/53-9A-C - 325 VDC.

**Not modulating**



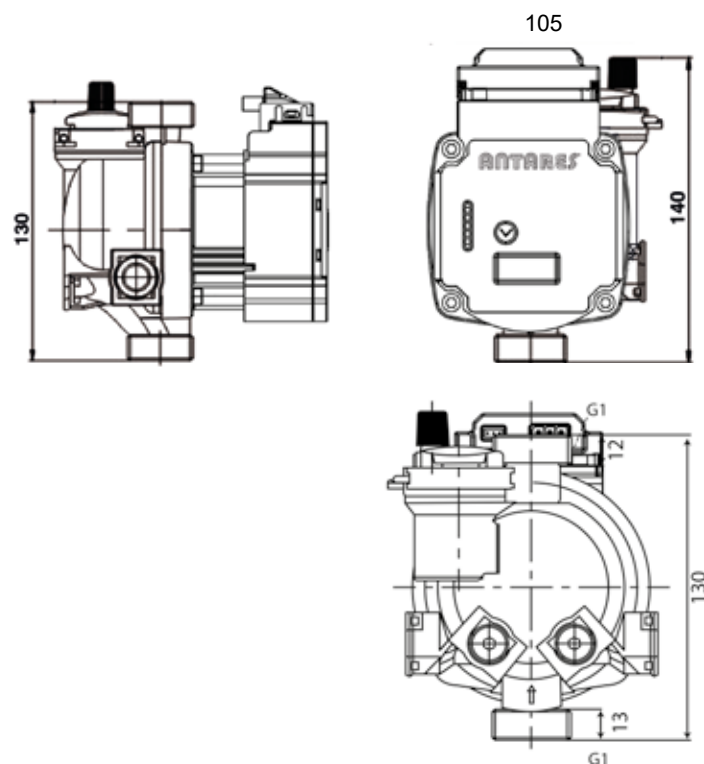
Art. P.062.63



**Modulating with PWM control**



Art. P.062.80



Art. P.062 - ANTARES circulating pump with air separator and automatic deaerator. Compatible with Wilo type Ku and GRUNDFOS type cacao.

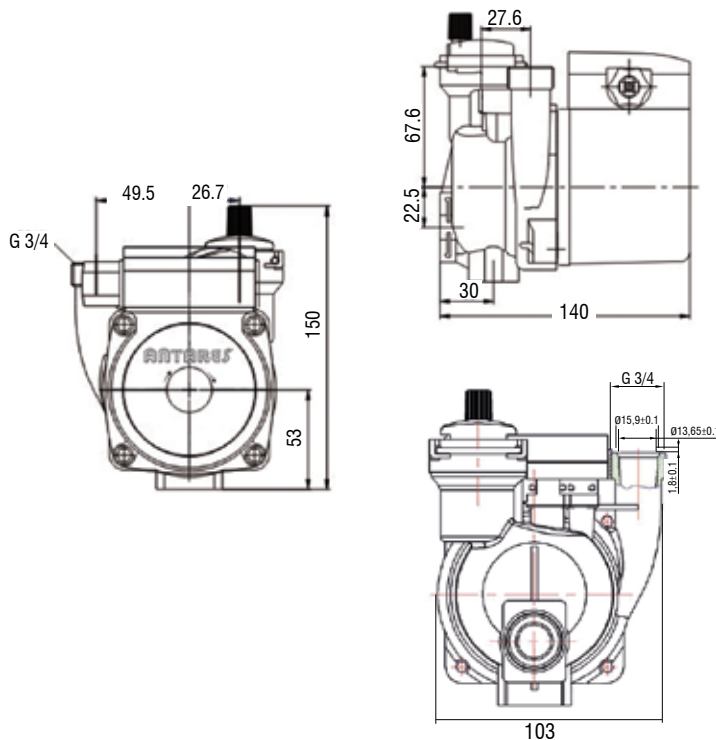
Connections: 1" M. Height of connections: 130. - 230 V - 50 Hz - For performance curves, please see Art. P.110 on page 5.

Item code	Efficiency type	Head and flow rate	Electrical connection included	Compatible
P062.84	Modulating with PWM	8 mt m3/h 4,1	Base Wilo INT	Various brands
P062.82	Modulating with PWM	8 mt m3/h 4,1	Wilo Standard P.170.02	Various brands
P062.80	Modulating with PWM	8 mt m3/h 4,1	Common Style P.170.00	Various brands
P062.63	Non-modulating, until stocks last	6 mt m3/h 3,8	Cable gland	Various brands

Not modulating



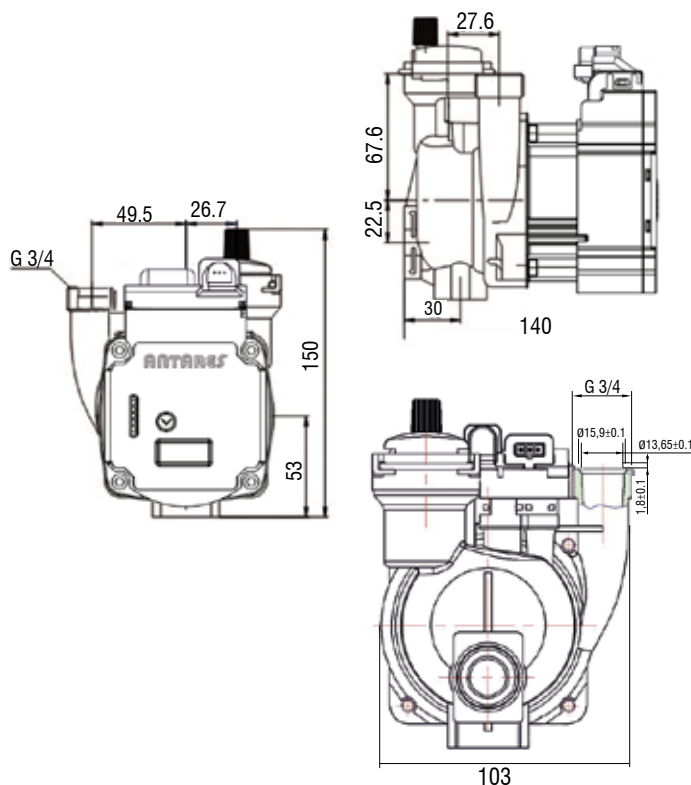
Art. P030.60



Modulating with PWM control



Art. P030.82



Art. P030 - ANTARES circulating pump with air separator and automatic deaerator. Mixed-plastic body. Compatible Wilo NFSL 13/6 Ariston MTS, ARCA, BIASI, SAVIO, and others.

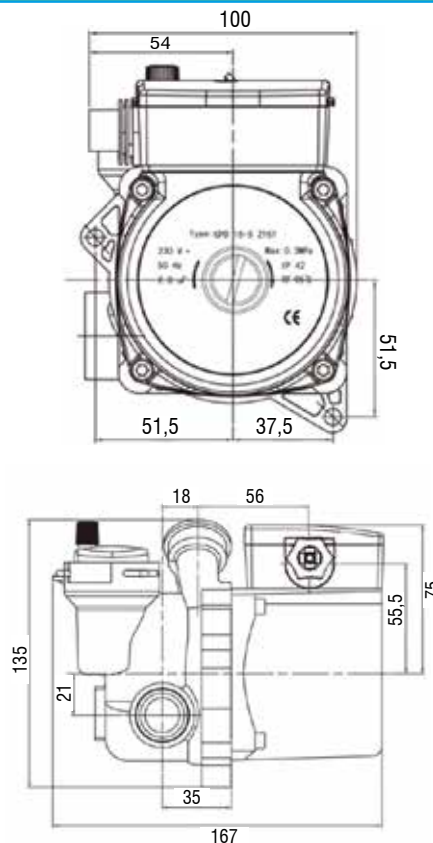
For performance curves, please see Art. P.110 on page 5. 230 V 50 Hz.

Item code	Efficiency type	Head and flow rate	Electrical connection included	Compatibile
P030.84	Modulating with PWM	8 mt m3/h 4,1	Base Wilo INT	Ariston MTS Arca, Biasi, Savio and various brands
P030.82	Modulating with PWM	8 mt m3/h 4,1	Wilo Standard P.170.02	Ariston MTS Arca, Biasi, Savio and various brands
P030.60	Non-modulating, <b>until stocks last</b>	6 mt m3/h 3,8	Cable gland	Ariston MTS Arca, Biasi, Savio and various brands

**Not modulating**



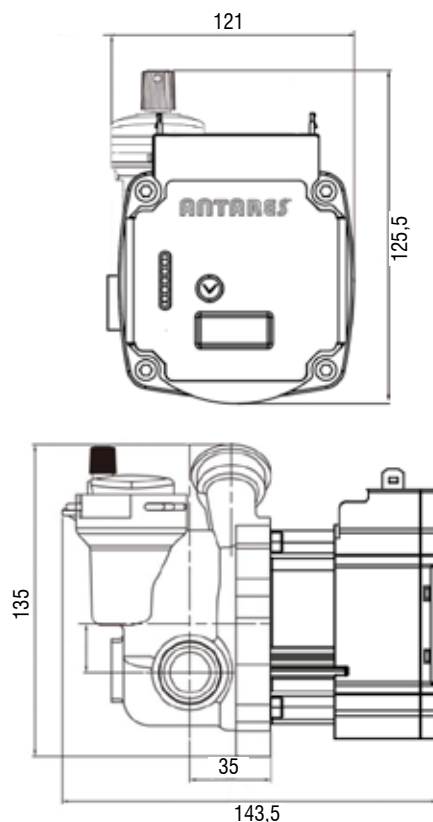
Art. P.031.60



**Modulating with PWM control**



Art. P.031.84



**Art. P.031 - ANTARES circulating pump with air separator and automatic deaerator. Mixed-plastic body. Compatible Saunier Duval, Ariston MTS, Chaffoteaux, Wilo MTSL, TACO.**

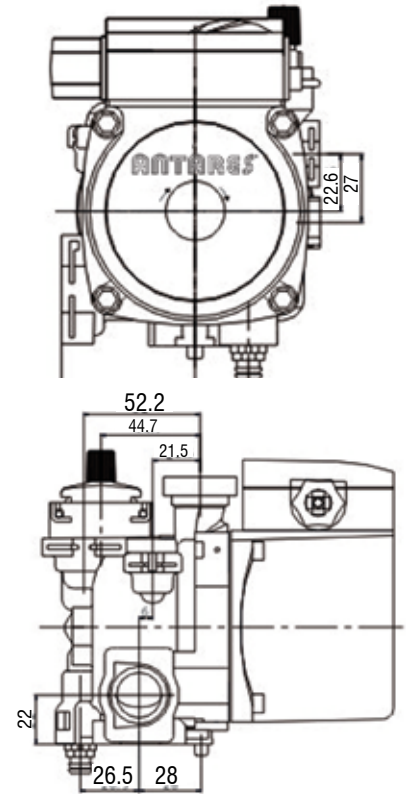
For performance curves, please see Art. P.110 on page 5. 230 V 50 Hz.

Item code	Efficiency type	Head and flow rate	Electrical connection included	Compatible
P031.84	Modulating with PWM	8 mt m <sup>3</sup> /h 4,1	Base Wilo INT	Saunier Duval, Ariston MTS, Chaffoteaux and various brands
P031.82	Modulating with PWM	8 mt m <sup>3</sup> /h 4,1	Wilo Standard P.170.02	Saunier Duval, Ariston MTS, Chaffoteaux and various brands
P031.60	Non-modulating, until stocks last	6 mt m <sup>3</sup> /h 3,8	Cable gland	Saunier Duval, Ariston MTS, Chaffoteaux and various brands

Not modulating



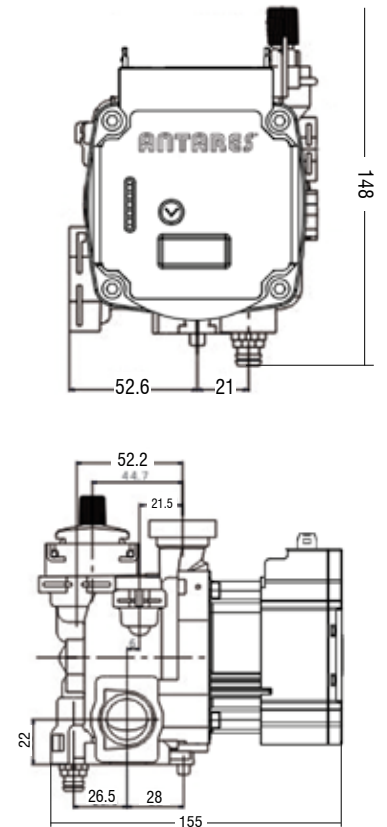
Art. P.032.60



Modulating with PWM control



Art. P.032.84

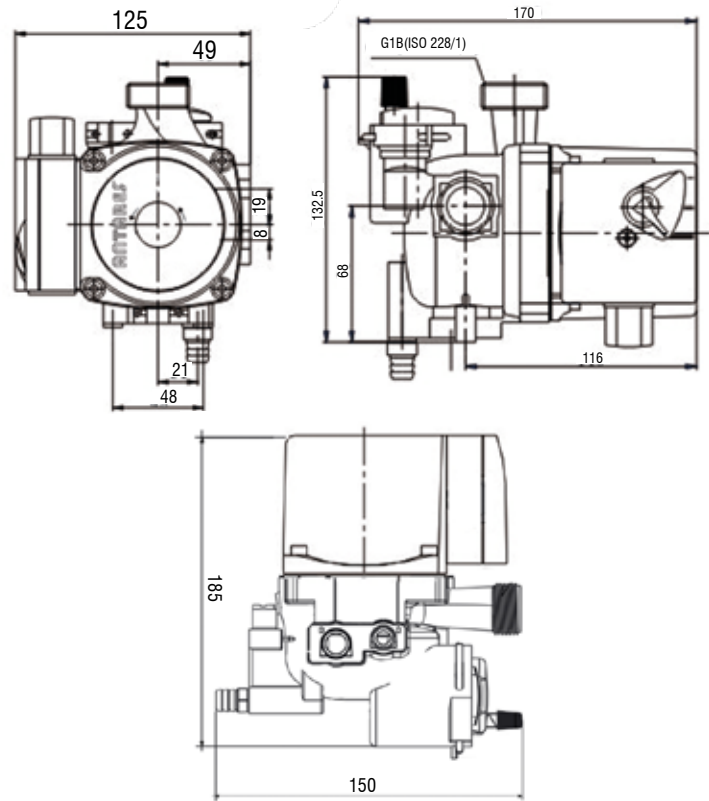


Art. P.032 - Mixed-plastic body circulating pump with incorporated automatic deaerator. Compatible Wilo FRSL 15/6 – FERROLI: Domitech, Domiproject, Divatop and others.

For performance curves please see Art. P.110 on page 5. 230 V 50 Hz.

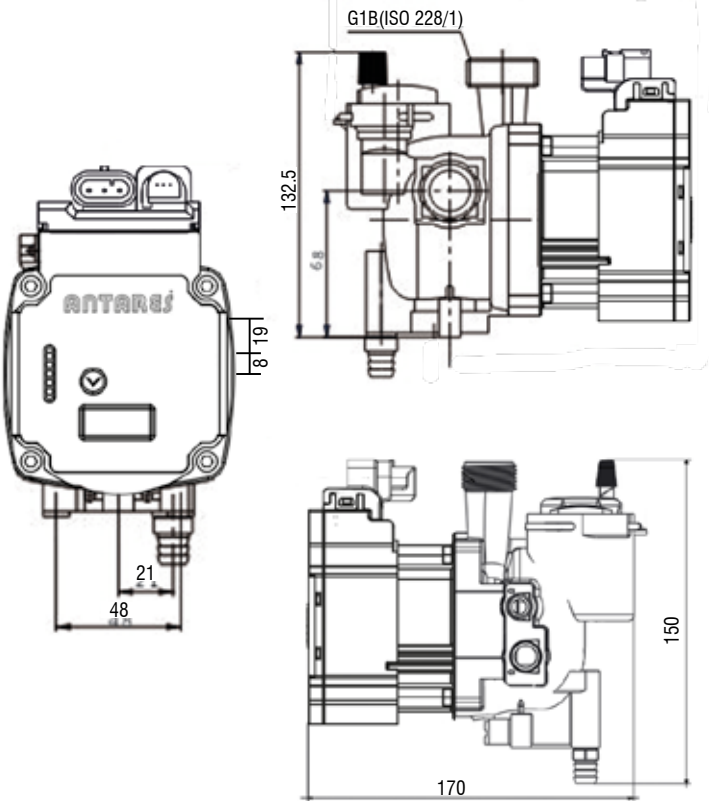
Item code	Efficiency type	Head and flow rate	Electrical connection included	Compatible
P032.84	Modulating with PWM	8 mt m3/h 4,1	Base Wilo INT	FERROLI and various brands
P032.82	Modulating with PWM	8 mt m3/h 4,1	Wilo Standard P.170.02	FERROLI and various brands
P032.60	Non-modulating, <b>until stocks last</b>	6 mt m3/h 3,8	Cable gland	FERROLI and various brands

**Not modulating**



Art. P034.60

**Modulating with PWM control**



Art. P034.83

Art. P034 - Mixed-plastic body circulating pump with incorporated automatic deaerator. Compatible GRUNDFOS CAOD Azj – WILO KSL 15/6 – VAILLANT, VIESSMAN and others.

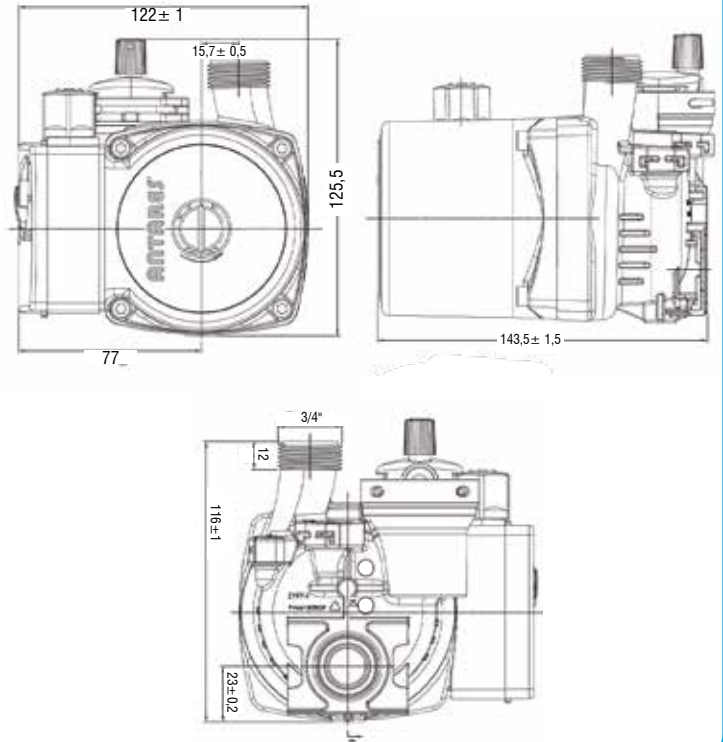
For performance curves please see Art. P.110 on page 5. 230 V 50 Hz.

Item code	Efficiency type	Head and flow rate	Electrical connection included	Compatible
P034.84	Modulating with PWM	8 mt m3/h 4,1	Base Wilo INT	VAILLANT, VIESSMANN and others
P034.82	Modulating with PWM	8 mt m3/h 4,1	Wilo Standard P.170.02	VAILLANT, VIESSMANN and others
P034.83	Modulating with PWM	8 mt m3/h 4,1	Grundfos FCI P.170.02	VAILLANT, VIESSMANN and others
P034.60	Non-modulating, <b>until stocks last</b>	6 mt m3/h 3,8	Cable gland	VAILLANT, VIESSMANN and others

Not modulating



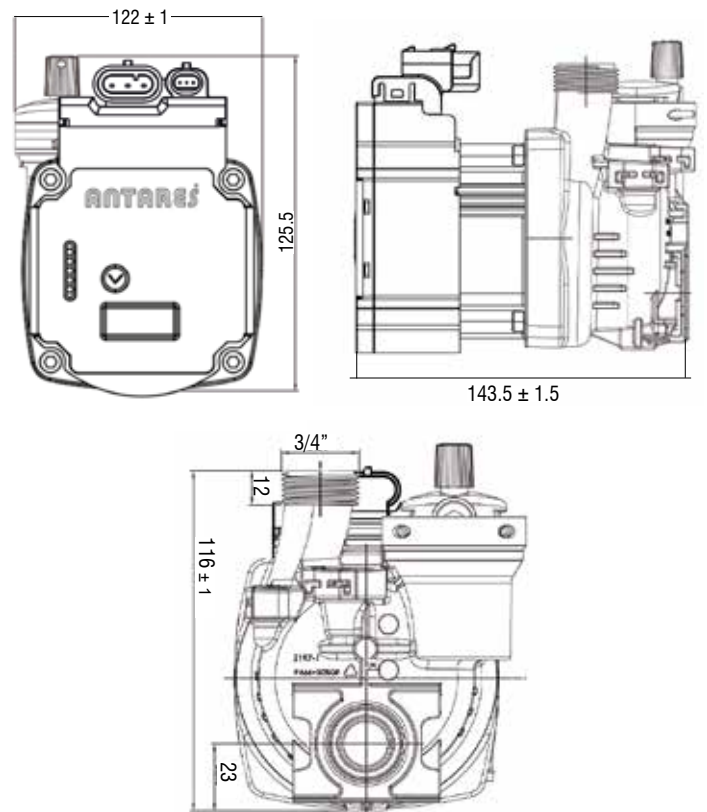
Art. P036.00



Modulating with PWM control



Art. P036.81

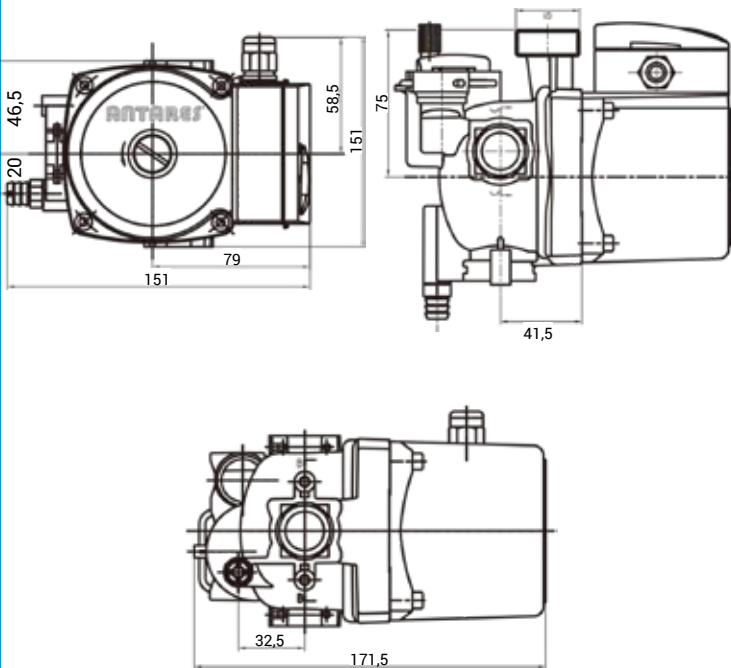


Art. P036 - Mixed-plastic body circulating pump with incorporated automatic deaerator. Compatible GRUNDFOS CESA02 – JUNKERS BOSCH – DE DIETRICH and others..

For performance curves please see Art. P.110 on page 5. 230 V 50 Hz.

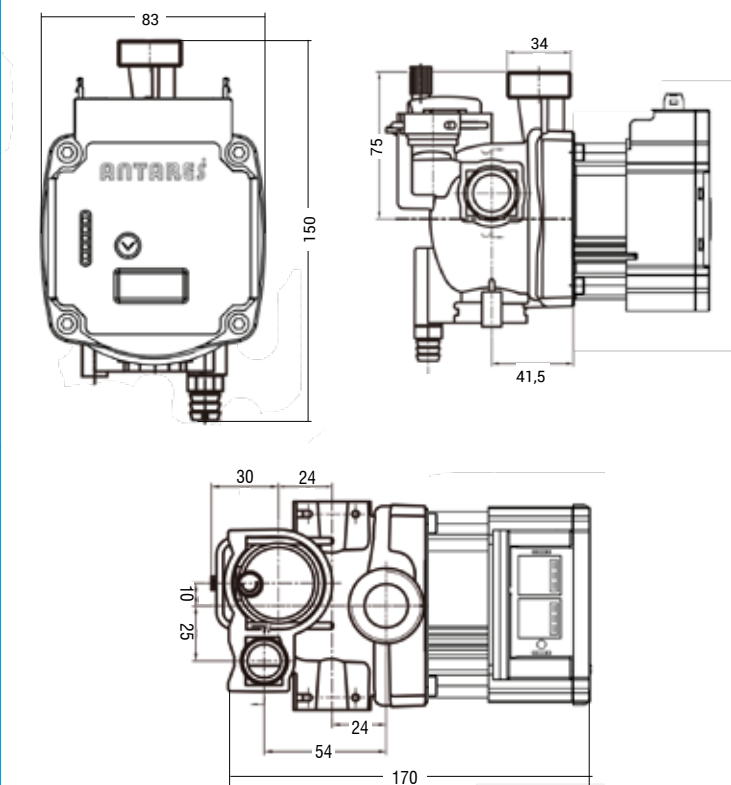
Item code	Efficiency type	Head and flow rate	Electrical connection included	Compatible
P036.84	Modulating with PWM	8 mt m3/h 4,1	Base Wilo INT	Junkers Bosch, De Dietrich and various brands
P036.81	Modulating with PWM	8 mt m3/h 4,1	Grundfos Standard P.170.01	Junkers Bosch, De Dietrich and various brands
P036.00	Non-modulating, <b>until stocks last</b>	6 mt m3/h 3,8	Cable gland	Junkers Bosch, De Dietrich and various brands

Not modulating



Art. P039.00

Modulating with PWM control



Art. P039.84

Art. P039 – ANTARES circulating pump with air separator and integrated automatic air deaerator. Mixed-plastic body. Compatible GRUNDFOS AOKR – WILO KSL - SIME and others.

For performance curves please see Art. P.110 on page 5. 230 V 50 Hz.

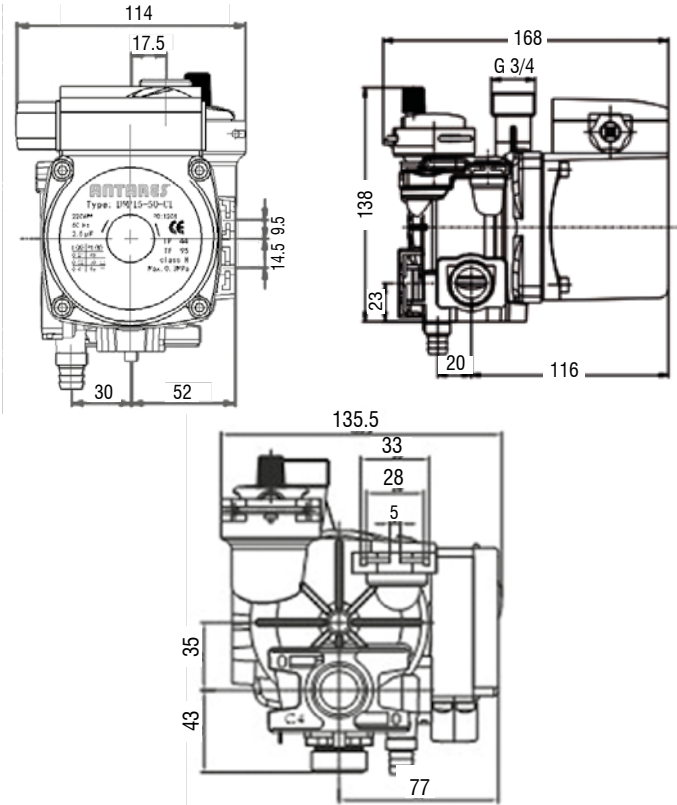
Item code	Efficiency type	Head and flow rate	Electrical connection included	Compatible
P039.84	Modulating with PWM	8 mt m3/h 4,1	Base Wilo INT	SIME and various brands
P039.82	Modulating with PWM	8 mt m3/h 4,1	Wilo Standard P.170.02	SIME and various brands
P039.81	Modulating with PWM	8 mt m3/h 4,1	Grundfos Standard P.170.01	SIME and various brands
P039.83	Modulating with PWM	8 mt m3/h 4,1	Grundfos FCI P.170.03	SIME and various brands
P039.00	Non-modulating <b>until stocks last</b>	6 mt m3/h 3,8	Cable gland	SIME and various brands

Compatible: ARCA Boilers and others

Not modulating



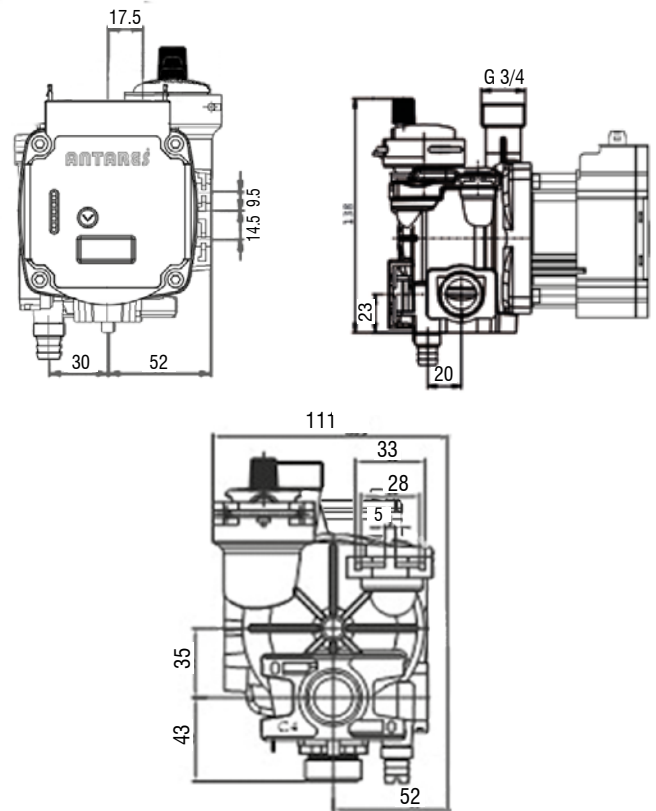
Art. P040.00



Modulating with PWM control



Art. P040.84



Art. P040 - Circulator with mixed plastic body with built-in automatic deaerator. ARCA Boilers and others compatible.

For performance curves, please see Art. P.110 on page 5. 230 V 50 Hz.

Item code	Efficiency type	Head and flow rate	Electrical connection included	Compatible
P040.84	Modulating with PWM	8 mt m3/h 4,1	Base Wilo INT	ARCA and various brands
P040.00	Non-modulating, until stocks last	6 mt m3/h 4,1	Cable gland	ARCA and various brands

# Accessories and spare parts for circulators

## Plugs for incorporated deaerator

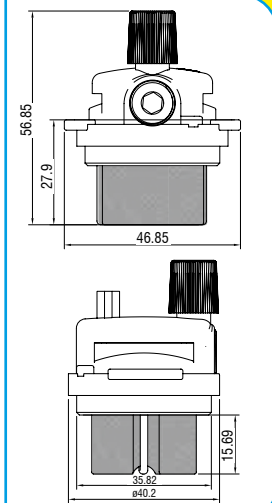
**COMPATIBLE: WILO, GRUNDFOS, CALEFFI**



**Art. P087.00**

Art. P087.00 - Head for automatic deaerator with bayonet connection, replacement for circulation pumps with plastic body.

Compatible: Caleffi, Wilo, Grundfos. Reference codes: IMMERGAS: 1027110 - BAXI: 710493600.



**COMPATIBLE: WILO, GRUNDFOS, CALEFFI**



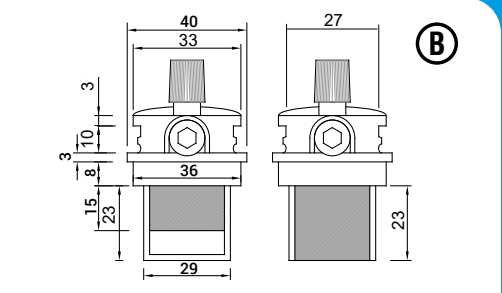
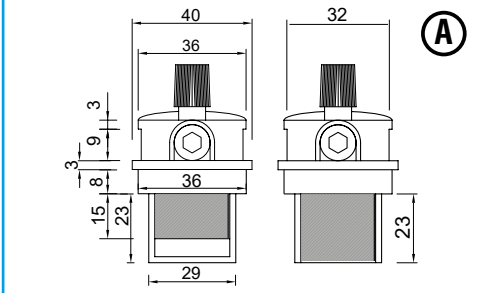
**Art. P089.03**

Art. P089.03 - Brass head for automatic air vent valve with threaded connection, replacement for air separators type CALEFFI - ANTARES and others.

**COMPATIBLE: CALEFFI and GRUNDFOS**




**Art. P088**



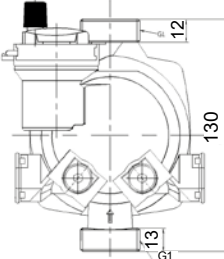
Art. P088 - Head for automatic air vent valve, replacement for air separators installed on circulators with fork connection.

Item code	Drawing	Type
P088.00	A	CALEFFI - GRUNDFOS - WILO
P088.01	B	SHINOO and others

## Bodies for circulators



**Art. P151.68**




Art. P151.68 - Mixed plastic body for replacement on circulators with automatic deaerator. Height: 130 mm – Connections 1" M.

Compatible for anti-clockwise rotation with GRUNDFOS Cacao type models. Coupled to motors with impeller art. P084.xx, P074.xx or P121.80 can constitute a complete circulator. Distance between mounting holes 68 mm. Complete with 2 gaskets for the fittings.



**Art. P153**

**Art. P155.08**


Art. P153 - Spare cast iron body for circulators with counterclockwise rotation (CCW).

Compatible GRUNDFOS, ANTARES, and other brands with distance between mounting holes 68 mm. Coupled to motors with impeller Art. P084.xx, P074.xx, P121.80 can constitute a complete circulator. Complete with 2 gaskets for the fittings.

item code	Ø	H
P153.10	1"	130
P153.12	1 1/2"	130
P153.20	1 1/2"	180

Art. P155.08 - Kit for coupling the circulator body (P151.68 and P153.xx) to the motor.

Consisting of 1 NBR rubber gasket and No. 4 fixing bolts.



**Art. F812**

Art. F812 - "T" handle hex keys

For easier replacement of circulating pumps motors.

item code	Measures mm.
F812.05	4
F812.06	5

## Insulating shell for circulating pumps



Art. P.070

Art.P.070 Black polystyrene insulating shell for thermal insulation of circulators bodies.

Item code	H	Suitable for serie
P070.13	130	P.110 - P.112 - P.023 - P.065
P070.24	130	P064
P070.18	180	P.110
P070.28	180	P064
P070.20	180	P066 - P076
P070.30	180	P078

## Connector adapters for circulators



Art. P.160.01



Art. P.161.01



Art. P.163.01

Art. P.160.01 GRUNDFOS power cable plug adapter for MODULEX circulator socket Art. P.110.

Art. P.161.01 - WILO power cable plug adapter for MODULEX circulator socket Art. P.110

Art. P.163.01 GRUNDFOS PWM controller cable plug adapter for MODULEX circulator socket Art. P.110.

Art. P.164.01 WILO PWM controller cable plug adapter for MODULEX circulator socket Art. P.110.



Art. P.164.01



Our technical office is available for more detailed information on the use of our products.



uk@antaresint.com

## Diameter and height adapters

Height from 130 to 180 mm



Art. P.004.12

Height from 130 to 180 mm

Ø from 1" to 1 1/4" M.  
Ø from 1" to 1 1/2" M.

Art. P.005



Art. P.004.12 - Brass extension 1 1/2" M.F to adapt the circulator height from 130 mm to 180 mm.

Art. P.005 - Pair of lengthening fittings and diameter increase fittings to adapt the circulators connection diameter and height from 130 to 180 mm.

Item code	Increase and Ø
P005.48	from 1" M. to 1 1/4" M.
P005.18	from 1" M. to 1 1/2" M.

Art. P.008 - Pair of thread increasing ring fittings for the replacement of circulators that have smaller fittings, complete with gaskets.

Diameter Ø	1 1/4" M. x 1" F	1 1/2" M. x 1" F	1 1/2" M. x 1 1/4" F	2" M. x 1" F	2" M. x 1 1/2" F
Item code	P008.14	P008.12	P008.24	P008.21	P008.20



Art. P.008

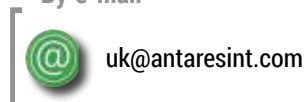


## HOW TO ORDER:

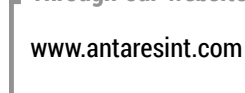
By phone



By e-mail



Through our website



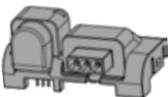
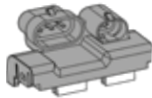
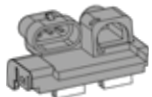
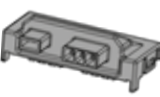
## Circulators electrical connections

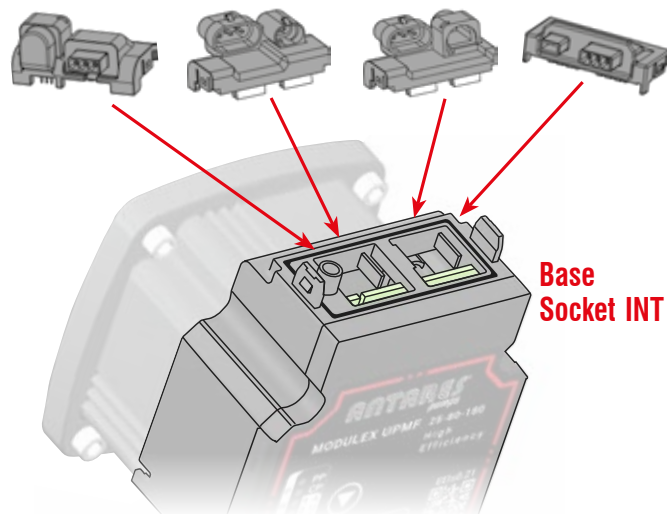
### Snap-fit sockets for electrical connections

**N.B.**

Many boilers manufacturers equip their circulators with various electrical connection sockets. ANTARES, to help maintenance services with replacement operations, created a system (model registered with utility patent) that involves the application on the base INT terminal block of snap fittings (protection level IP44) of the various connections used by manufacturers.

Art. P.170 - Snap-fit connection socket on INT terminal block for the defined types of connections: PWM signal power supply.

Art.code	Snap-fit connections sockets types	
P.170.02	<b>Wilco Standard</b> Molex + FCI Crescent shaped	
P.170.01	<b>Grundfos Standard</b> Super Seal + Mini Super Seal	
P.170.03	<b>Grundfos FCI</b> Super Seal + FCI Crescent shaped	
P.170.00	<b>Common Style</b> Molex - FCI Rectangular	



## Connection Cable for circulators

### Electric supply cables

**Super Seal**



Art. P.175.00

**Molex Wilo**



Art. P.177.00

**Molex Common Style**



Art. P.178

Art. P.175.00 - Electric supply cable with right angle connector Super Seal type

Length: 70 cm – compatible Grundfos serie PM3 and Wilo Para Maxo

Art. P.177.00 - Electric supply cable with right angle connector MOLEX Wilo, Grundfos type.

Length: 70 cm – compatible Wilo, Grundfos.

Art. P.178 - Electric supply cable with right angle connector Molex Common Style type.

Item code	Length
P.178.07	mt 0,7
P.178.30	mt 3

### PWM speed control cables

**Mini Super Seal**



Art. P.191.00

**FCI Crescent-shaped**



Art. P.193.00

**FCI Rectangular**



Art. P.195.00

Art. P.191.00 - PWM signal cable with right angle connector Mini Super Seal type.

Length: 50 cm – compatible Grundfos.

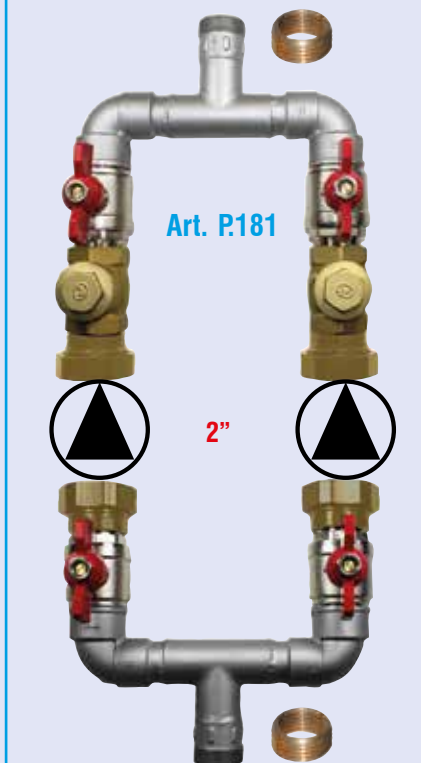
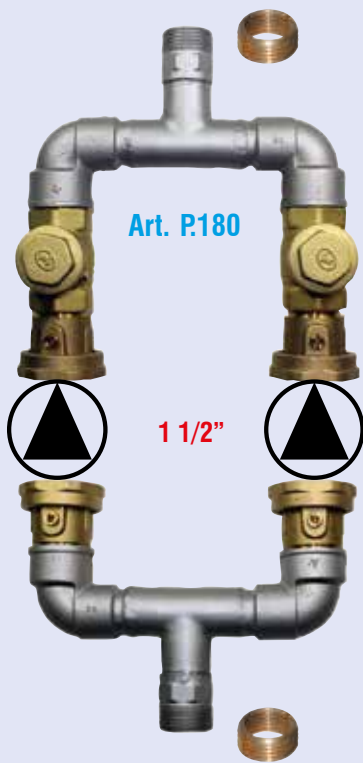
Art. P.193.00 - PWM signal cable with right angle connector FCI crescent-shaped type.

Length: 50 cm – compatible Grundfos, Wilo

Art. P.195.00 - PWM signal cable with right angle connector FCI rectangular-shaped type.

Length: 50 cm – compatible ANTARES

## Manifolds for circulators twin coupling



**Art. P.180** - Manifold for circulators twin coupling complete with n. 2 screwdriver ball valves for an easy replacement, with no need to drain the system. With insulating shell.

Connections: system side 1 1/2" – pumps side: 1 1/2" F. swivel.

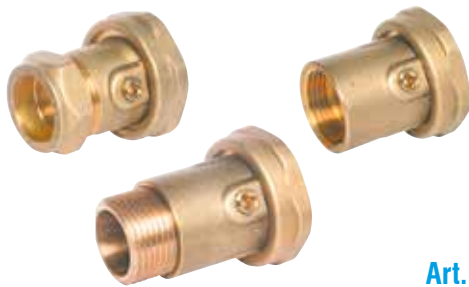
Item code	Modell
P.180.12	Without check valve
P.180.52	With check valve

**Art. P.181** - Manifold for circulators twin coupling complete with n. 2 butterfly handle ball valves for an easy replacement, with no need to drain the system. With insulating shell.

Connections: system side 1 1/4" and 2" - pumps side: 2" F. swivel.

Item code	Model
P.181.20	Without check valve
P.181.60	With check valve

## Shut-off valves for circulating pumps



**Art. E.430** - Brass ball valve with pipe coupling connection for pumps, with screwdriver adjustments.

Connections Ø	1 1/2" F. Swiv. x 1" M.	1 1/2" F. Swiv. x 1" F.	1 1/2" F. Swiv. x 1 1/2" M.	1 1/2" F. Swiv. x copper pipe Ø 22	1 1/2" F. Swiv. x copper pipe Ø 28
Item code	E.430.10	E.430.00	E.430.12	E.430.22	E.430.28



**Art. E.432** - Brass ball valve with pipe coupling connection for pumps, with butterfly handle.

Type	Without check valve		With check valve
Connections Ø	1" F. x 1 1/2" F. Swiv.	1 1/2" M. x 1 1/2" F. Swiv.	1" F. x 1 1/2" F. Swiv.
Item code	E.432.10	E.432.12	E.432.90



**Art. E.437** - Single-piece ball valve with pump coupling, with coloured handle for thermometer. Max pressure: 10 bar. Thermometric scale: 0°C ÷ 120 °C.

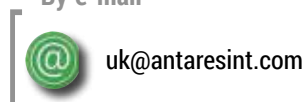
Item code	Connections Ø	Handle colour	Type with
E.437.10	1" F. x 1 1/2" F. Swiv.	Blue	Check valve
E.437.12	1" F. x 1 1/2" F. Swiv.	Red	-
E.437.20	1 1/4" F. x 2" F. Swiv.	Blue	Check valve
E.437.22	1 1/4" F. x 2" F. Swiv.	Red	-

## HOW TO ORDER:

By phone



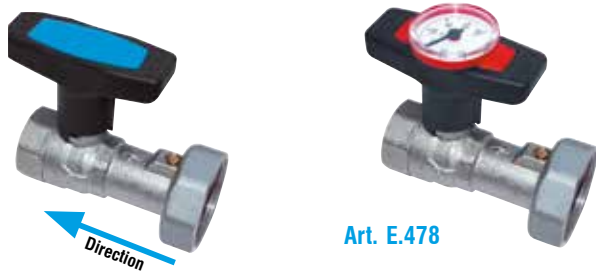
By e-mail



Through our website

www.antaresint.com





Art. E.478

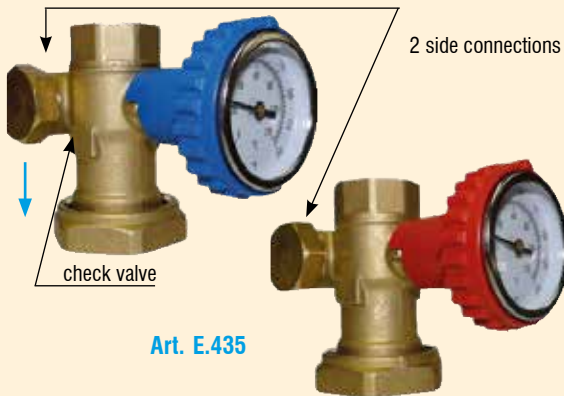
Art. E.478 - Ball valve with pump coupling 1 1/2" F., with prolonged "T" "ISO T" handle, suitable for thermal insulated systems. Nickel-plated brass CW617 UNI EN 12165. Handle colour definable by two supplied red and blue plates.

Suitable for thermometer.

Type	Without check valve		With check valve	
Connections	1" F.-1 1/2" F. swivel	1 1/4" F.-1 1/2" F. swivel	1" F.-1 1/2" F. swivel	1 1/4" F.-1 1/2" F. swivel
Item code	E.478.10	E.478.14	E.478.90	E.478.94

With thermometer included, colour: red

Type	Without check valve		With check valve	
Connections	1" F.-1 1/2" F. swivel	1 1/4" F.-1 1/2" F. swivel	1" F.-1 1/2" F. swivel	1 1/4" F.-1 1/2" F. swivel
Item code	E.478.50	E.478.54	E.478.80	E.478.84



Art. E.435

Art. E.435 - Single-piece ball valve with pump connection and two lateral connections with coloured thermometer-holder handle and thermometer. Max pressure: 10 bar - Thermometer scale: 0°C 120°C. Connections 1" F. x 1 1/2" F. swivel.

Item code	Handle color	Model on
E.435.10	Blue	Check valve + check disconnection
E.435.12	Red	-



Art. E.438.03



Art. E.439.03

Art. E.438.03 - Single-piece ball valve with pump connection, with red thermometer-holder handle and thermometer. Thermometer scale: 0°C 160°C. Check valve and mounting holes.

Max pressure: 10 bar - Temp. max: 140°C - Connections 3/4" F. x 1" F. swivel.

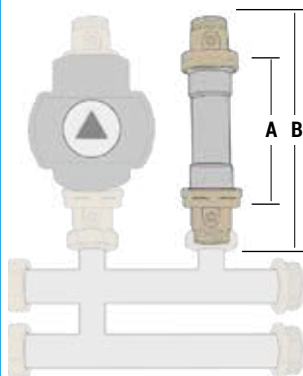
Art. E.439.03 - Single-piece ball valve with pump connection, side connections 3/4" F., with blue thermometer-holder handle and thermometer. Thermometer scale: 0°C 160°C. Check valve, check disconnection and mounting holes.

Max pressure: 10 bar - Temp. max: 140°C - Connections 3/4" F. x 1" F. swivel.



Art. E.606

Example of installation E.606



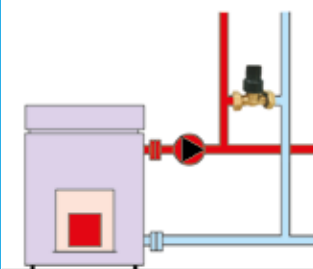
Art. E.606 - Group consisting of 2 ball valves with screwdriver operation 1" M. x 1 1/2" F. swivel, complete with 4 gaskets and one 1 1/2" M. x 1 1/2" M. hose, to compensate for the distance of the pump.

Height "A" mm	130	180	
Height "B" mm	210	260	
Type	Without thermometer well	Without thermometer well	With 2 thermometer holders included for temperature probes: 1 with Ø int. 10 for thermal probe 1 with Ø int. 7 for safety thermostat
Item code	E.606.12	E.606.00	E.606.18



Art. P.301

Example of installation P.301



Art. P.301 - Differential balancing group for the elimination of overpressuring caused by automatic shut-off of system's zones. Suitable for application on compatible connections of ball valves, on pump group DN 25.

Adjustment scale: 2 ÷ 6,5 mt. - The valve is calibrated by bringing the needle on the value detected on the graded scale on the valve.

Connections	3/4" F. swivel x 3/4" F. swivel	3/4" F. swivel x copper pipe 15
Item code	P.301.03	P.301.05



## ANTARES in the world

### Management Office:

- **Italy: LUCCA - Via degli Alpini, 144**
  - Tel. +39 0583 473701
  - Mail: [ant3@antaresint.com](mailto:ant3@antaresint.com)
  - WhatsApp: +39 349 665 6433
  - Website: [www.antaresint.com](http://www.antaresint.com)

### Manufacturing and distribution branches:

- ▶ **Italy: LUCCA - Via degli Alpini, 144**
- ▶ **Italy: LUCCA - Via Martini, 111**
- ▶ **Romania: BALDOVINESTI - via Propului, 76**

### Sales Departments:

#### Belgique

207, Av. Louise bte 4 - 1050 Bruxelles  
Tél. (+32) 239 30 597 & WhatsApp. (+33) 423 24 3080  
[www.antaresint.com](http://www.antaresint.com) - [be@antaresint.com](mailto:be@antaresint.com)

#### Deutschland

Feringastrasse 6 - 85774 Unterföhring  
Tel. (+49) 899 394 8950 - WhatsApp. (+49) 01 762 097 7231  
[www.antaresint.com](http://www.antaresint.com) - [de@antaresint.com](mailto:de@antaresint.com)

#### España

C/ Martinez Villergas, 49 - 28027 - Madrid  
Teléfono & WhatsApp. (+34) 910 626 573  
[www.antaresint.com](http://www.antaresint.com) - [es@antaresint.com](mailto:es@antaresint.com)

#### France

3 Cours Charlemagne - BP 2597 - 69217 Lyon Cedex 2  
Téléphone & WhatsApp. (+33) 423 24 3080  
[www.antaresint.com](http://www.antaresint.com) - [fr@antaresint.com](mailto:fr@antaresint.com)

#### Ireland

Mespiil House, Sussex Road, Dublin 4  
Tel. (+353) 169 944 25 & WhatsApp. (+44) 1227 458 684  
[www.antaresint.com](http://www.antaresint.com) - [eire@antaresint.com](mailto:eire@antaresint.com)

#### Österreich

Landstrasser Hauptstrasse, 71/2 - 1030 Wien  
Tel. (+49) 899 394 8950 - WhatsApp. (+49) 01 762 097 7231  
[www.antaresint.com](http://www.antaresint.com) - [at@antaresint.com](mailto:at@antaresint.com)

#### Polska

Ul. Tomaszka Zana 39A 20-634 Lublin  
Tel. 00 800 391 1223 **Infolinia bezpłatna**  
[www.antaresint.com](http://www.antaresint.com) - [pl@antaresint.com](mailto:pl@antaresint.com)

#### Portugal

Rua Castilho, n° 23-8° B - 1250 - 067 Lisboa  
Tel. 800 83 90 42 **Número Verde**  
[www.antaresint.com](http://www.antaresint.com) - [pt@antaresint.com](mailto:pt@antaresint.com)

#### România

Str. Plopului, 76 - Com. Baldovinesti - 237005 JUD. OLT  
Tel. (+40) 0786 325 646 - Mobil. (+40) 076 058 5909  
[www.antaresint.com](http://www.antaresint.com) - [ro@antaresint.com](mailto:ro@antaresint.com)

#### U.K.

35 Marine Terrace - Margate, Kent - CT9 1XJ  
Telephone & WhatsApp. (+44) 1227 458 684  
[www.antaresint.com](http://www.antaresint.com) - [uk@antaresint.com](mailto:uk@antaresint.com)



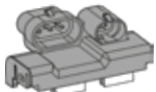
### PRE-SALE SUPPORT

Our technical office is always available for more detailed information, and to help you choose the right products.



### Equipment of electrical connections

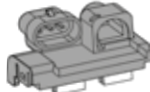
Grundfos Standard



Art. P.170.01

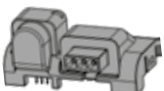
Terminal block type  
Compatible WIL0 INT

Grundfos FCI



Art. P.170.03

Wilo Standard

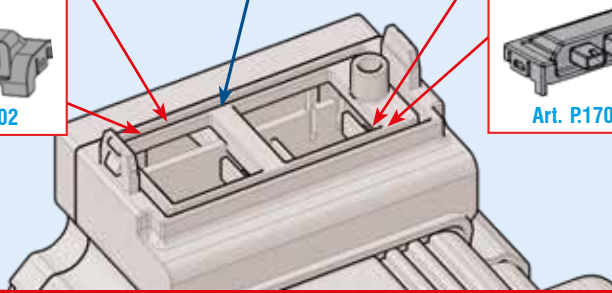


Art. P.170.02

Common Style



Art. P.170.00



**ANTARES**  
pumps

Via Martini, 111 - 55100 LUCCA - ITALY  
Tel. +39 0583 473701 • WhatsApp: +39 349 665 6433  
ant3@antaresint.com • www.antaresint.com  
ANTARES Pumps is a productive section of Antares for Water & Fire srl

