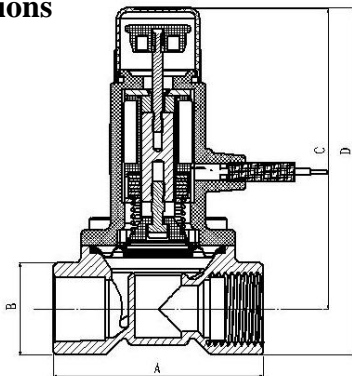


User's Manual

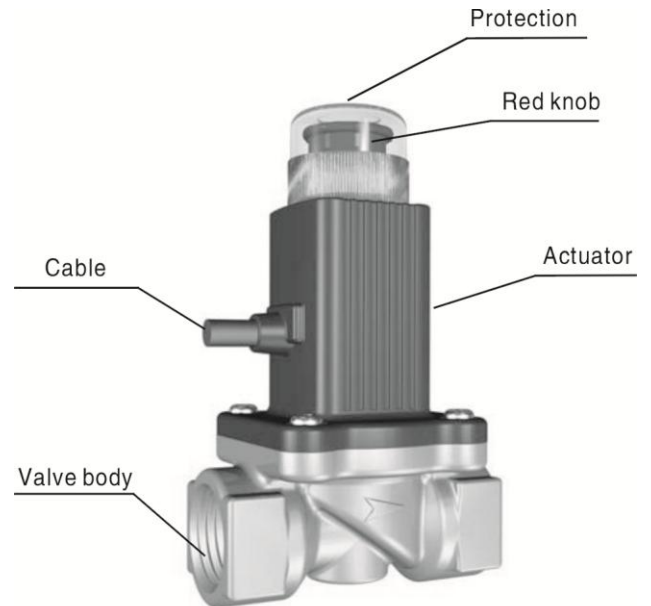
● Introduction

The valve is a series of gas emergency shut off solenoid valves, specially designed as gas pipe breaker for emergency use . It can be connected with gas leaking detection sensor ,fire alarm circuit or other intelligent sensor modules so that on site or remote shut down on gas supply (manually or automatically) is possible , hence ensuring the safety on gas usage .the valve features an auto-close when strong vibration is detected .After close,manual operation is required to turn on the valve. This feature meets safety regulations in the event of an accident.

● Dimensions



| Size | A(mm) | B(mm) | C(mm) | D(mm) |
|-------|-------|-------|-------|-------|
| DN15B | 63 | 30 | 93 | 108 |
| DN20B | 74 | 37 | 95.5 | 114 |
| DN25B | 78 | 40 | 96 | 116 |

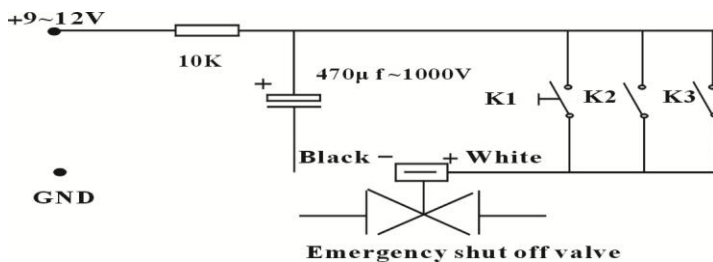


● Technical Data

- ◆ Suitable gas types: town gas
- ◆ Body: wrought aluminum alloy
- ◆ Sealing material: NBR rubber
- ◆ Operation temperature: -10~50°C
- ◆ Pressure max :10kpa
- ◆ Connection: G1/2", G3/4", G1"
- ◆ Turn on: manual
- ◆ Closing modes: current impulse or manual
- ◆ Driving Voltage: DC 9-12V
- ◆ Close time : <1sec
- ◆ Explosion proof mark: Exmb ||T4
- ◆ Lead wire : 0.4m

● Working Principal

When the switch is pressed, the capacitor discharges and provides an electric current so that a coil can generate strong magnetic held to pull down the valve, achieving the closing within one second.



- K1: manual switch**
- K2: external impulse switch**
- K3: power failure switch**

Emergency Shut Off Valves

● **Operation instruction**

1. There are two ways to close the valve:

(a) An electric impulse of 1 sec (DC 9V), or

(b) Press the red knob (must open the protective cover first). After this operation, the valve remains closed.

Note: the protective cover must remain on position at all time.

2. When the valves is closed, manually pull the red knob up to turn it on. then the valve remains on.

Note: the valve may not to be pulled up if gas pressure on both sides (inlet and outlet) is not balanced. Take necessary action to ensure that they are balanced, then pull the knob up again, force pulling it may result in damage to the valve.

3. The valve will close automatically when it detects strong vibrations. Should this feature fails, notify the contractor or manufacture for repair.

4. After closing, careful inspection is required. Do exercise caution when the valve needs to be turned on again.

Installation Requirements

1. Only request contractor can install this valve.

2. The valve must be installed after the indoor main valve.

3. A valve should be installed in the gas flow direction marked on the valve body. The coil must not be placed in downward position A valve may be installed horizontally or vertically.

4. the valve control wires should be connected correctly. White indicates positive while black stands for negative. Mismatch lends to fatal consequences.

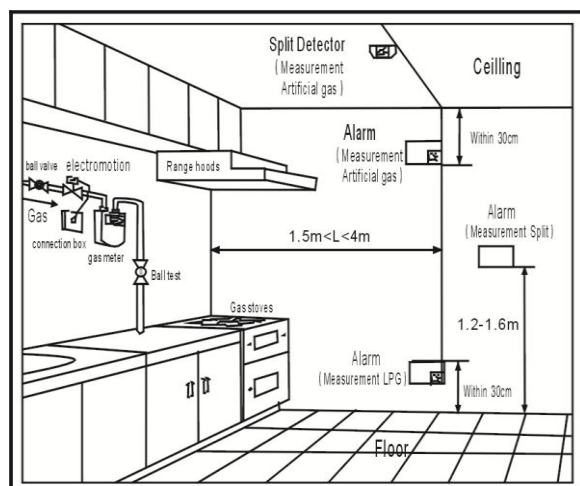
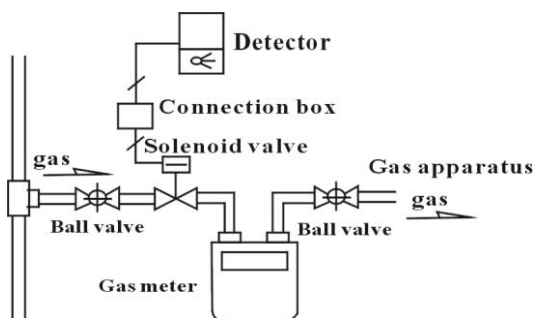
5. During pipe maintenance, such as pressurized pipe cleaning, the valve should removed to avoid damages to the valve sealing.

6. During pressure tests, the valve should be turned on.

7. The valve's opening knob can be pulled up when equal pressure have been reached at the inler and the outlet of the valve.

8. Wrong polarity, wrong voltage or prolonged power on may damage the electromagnetic coil.

9. Our guarantee does not include any damage to the valve or loss of parts due to keeping or actions in violative regulations.



● **Wiring Requirements**

1. Cable: dual core. $3 \times 0.75 \text{mm}^2$ Or above

2. Length of cable < 50meters

● **Maintenance**

Inspection must be done regularly, open and close it, In case of failure, notify the contractor immediately for repair.