



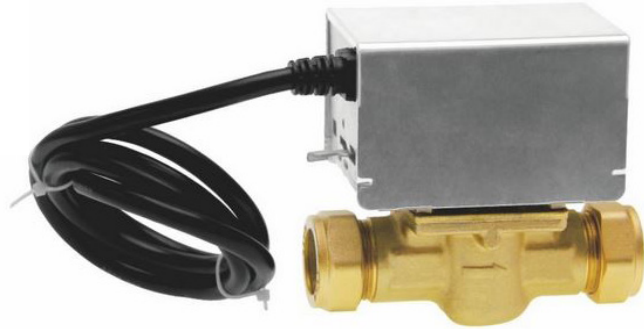
**ANTARES<sup>®</sup>** for Water & Fire S.r.l.

Via degli Alpini, 144 - 55100 Lucca - Italy - Codice destinatario Sdl: 2LCMINU  
 IBAN: IT08 K05 0341 3707 0000 0000 1435 - BIC: BAPPIT21S05 B.P.M. Ag.5 Lucca  
 Sito Web: www.antesint.com - e-mail: ant3@antesint.com  
 Tel. + 39 0583 473701 - Fax +39 0583 494366

Capitale sociale € 1.500.000 i.v.  
 C.F. e P.I.01861450995



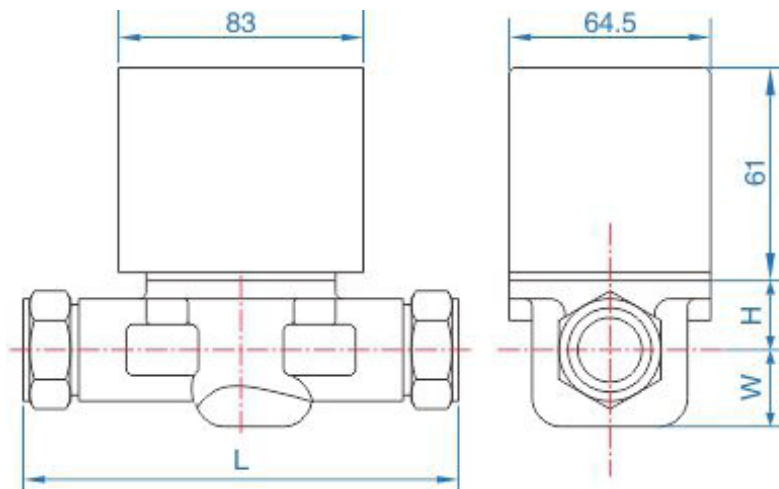
## R.096 Motorized Valve



### Specifications

- Body material: forged brass
- Stem material: stainless steel
- Sealing material: nitrile rubber (NBR)
- Working medium: cold/hot water
- Fluid temperature: 2-94°C
- Pressure: 1.6MPa
- Ambient temperature: 0-65 °C maximum relative humidity is no dew
- Travel time: 11~15 seconds
- Motor torque: >800gf.cm
- Valve with 5 wire cable
- Input power : 220 VAC

Model No.	Valve Type	DN	Connection Type	Kvs	Maximum differential pressure kPa	Dimensions		
						L	W	H
R.096	2-way	22	Welding	4.3	80	113	21	25



2-way